



PRODUCT DATASHEET

Strada series

last update 26/8/2014

DETAILS

Product Number	CA12312_STRADA-SQ-T-DW
Family	Strada
Type	Assembly
Color	clear
Diameter	25x25 mm
Height	12,65 mm
Style	square
Optic Material	PMMA
Holder Material	
Fastening	screw, tape
Status	production ready
ROHS Compliant	Yes
Date Updated	26/08/2014



OPTICAL PROPERTIES

LED	Viewing Angle	Light Beam	Efficiency	cd/lm	Connector
XM-L	Asymmetric deg	Streetligh...	-	-	-

D

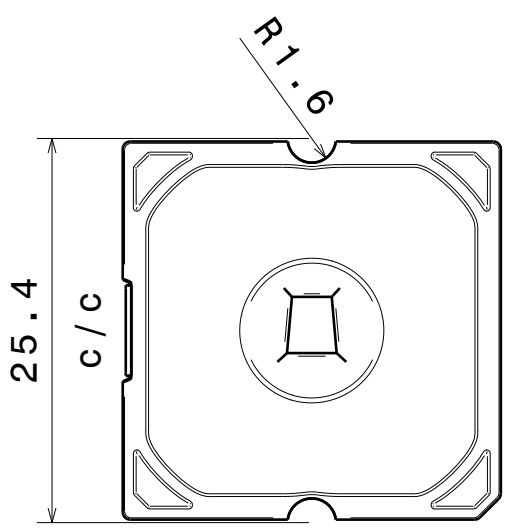
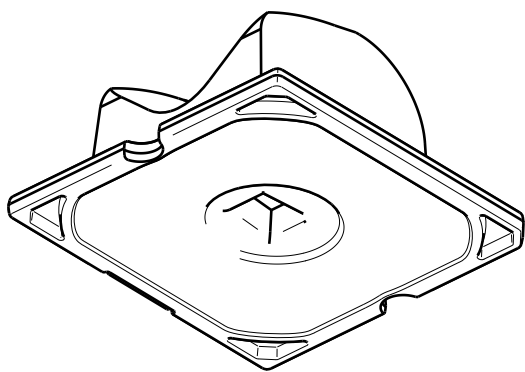
C

B

A

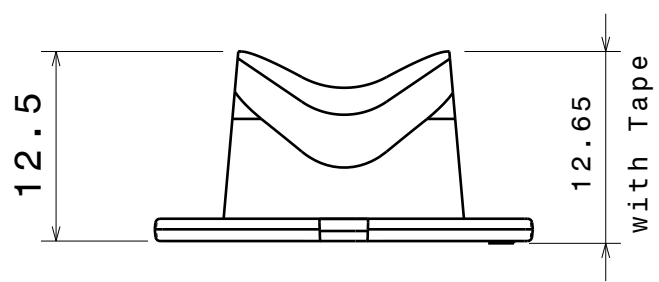
4

4



3

3



2

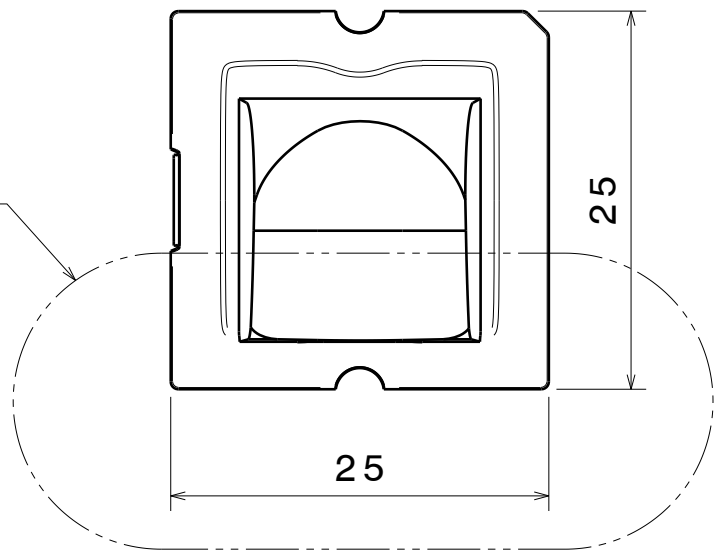
2

Part no.s:
C11891_Strada-SQ-T-DW-XM-L

Part no.s with tape:
CA11892_Strada-SQ-T-DW-XM-L-TAPE

MATERIALS
Lens: PMMA
Tape(optional): PU Foam

Beam direction



This drawing is our property.
It can't be reproduced
or communicated without
our written agreement.



Ledil Oy
Salorankatu 10
FIN-24100 SALO
Finland

DRAWING TITLE
Datasheet C12314_STRADA-SQ-T-DW

DRAWN BY
ah

DATE
11.9.2012

CHECKED BY
sn

DATE
11.9.2012

SIZE
A4

DRAWING NUMBER

REV
1

DESIGNED BY
hh

DATE
01.12.2010

SCALE **2:1**

WEIGHT (g)

SHEET

1 / 1

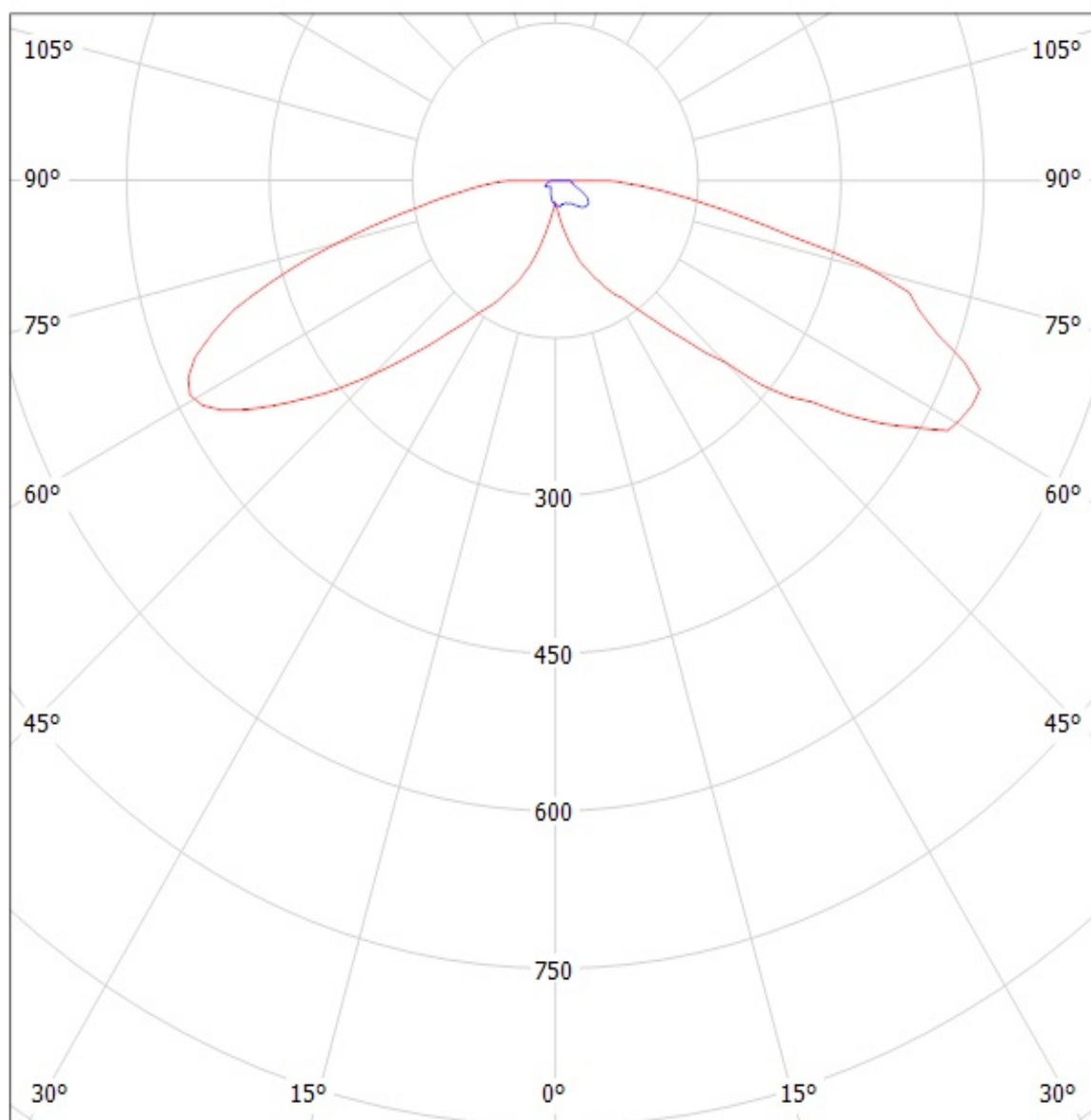
D

A

1

1

Luminaire: Ledil Oy C12314_STRADA-SQ-T-DW/CA12312_STRADA-SQ-T-DW (Cree XM-L 111lm @ 250mA) Efficiency=94%
Lamps: 1 x Cree XM-L 111lm @ 250mA



cd/klm

— C0 - C180 — C90 - C270

NOTE: The typical divergence will be changed by different color, chip size and chip position tolerance. The typical total divergence is the full angle measured where the luminous intensity is half of the peak value.