

Series **D xx P24B 6 xx 09 LF**

Number of contacts  
09 , 15 , 25 , 37 , 50

Contacts  
P : Pin

Plating  
6 = 500 Mating / Unmating Mini

Packaging specification  
Tray

See Note RoHS

### Termination

Code	Type	Foot Print/Pitch	Length of termination	PCB thickness
24B	Straight version	6 / 2.84mm	2.90	2.4

### NOTE RoHS INFORMATION

- The "LF" product meet european union Directives and other country regulations asdescribed in GS-22-008.
- The housing will whistand exposure to 260<sup>o</sup> peak temperature for 30 seconds in a convection , infra-red or vapor reflow oven. See application notes/procedures if are available.
- Termination plating spec:1.27 $\mu$  Nickel mini,2.5 to 7.5 $\mu$  Sn(pure mate)
- Shell plating : Nickel bright
- Accessories : Sn pure bright
- Packaging spec ; See GS-14-920

### Mounting Options

RL	Insert M3
RV	Female Screw UNC 4-40
RX	Insert UNC 4-40

### Product Specification

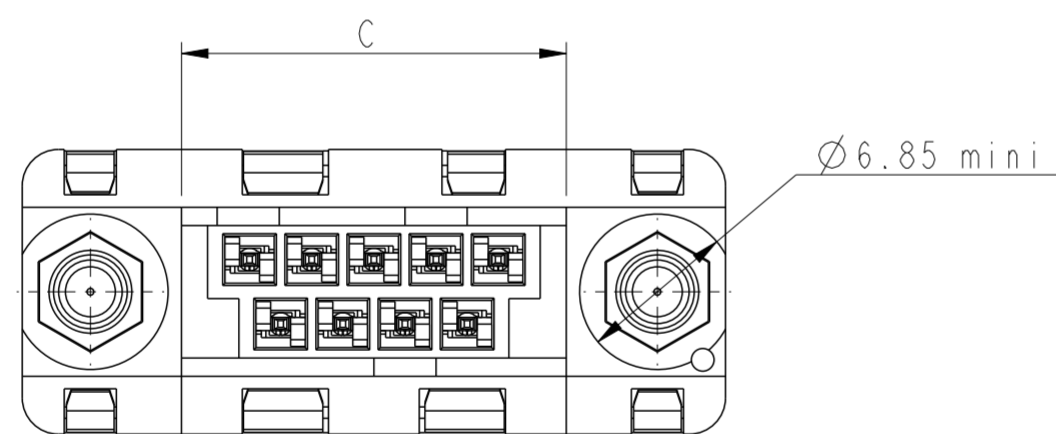
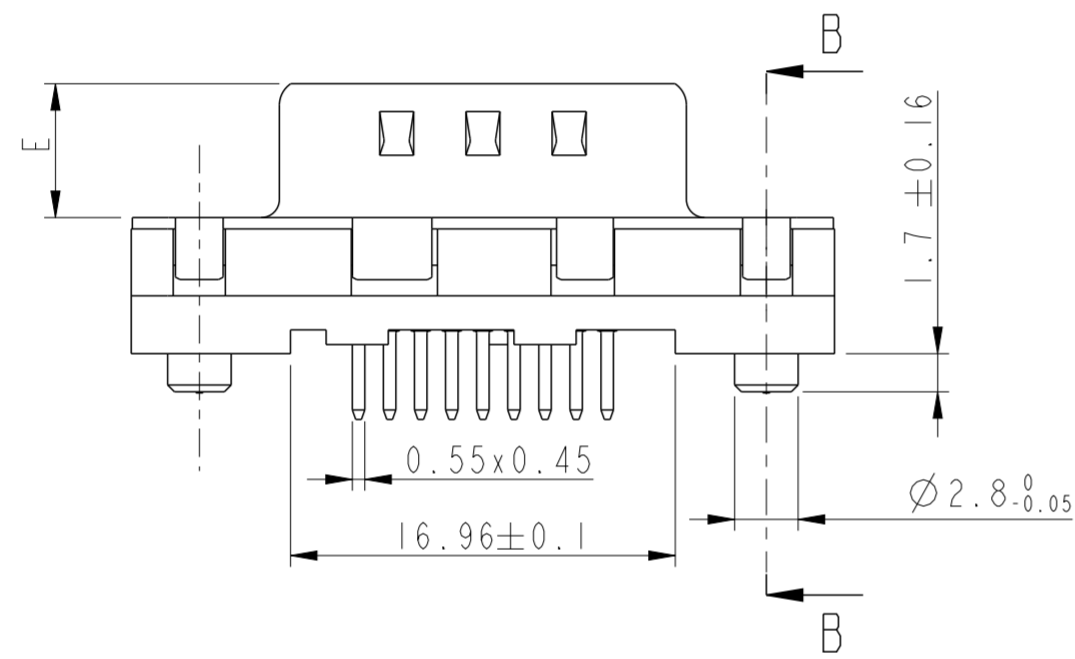
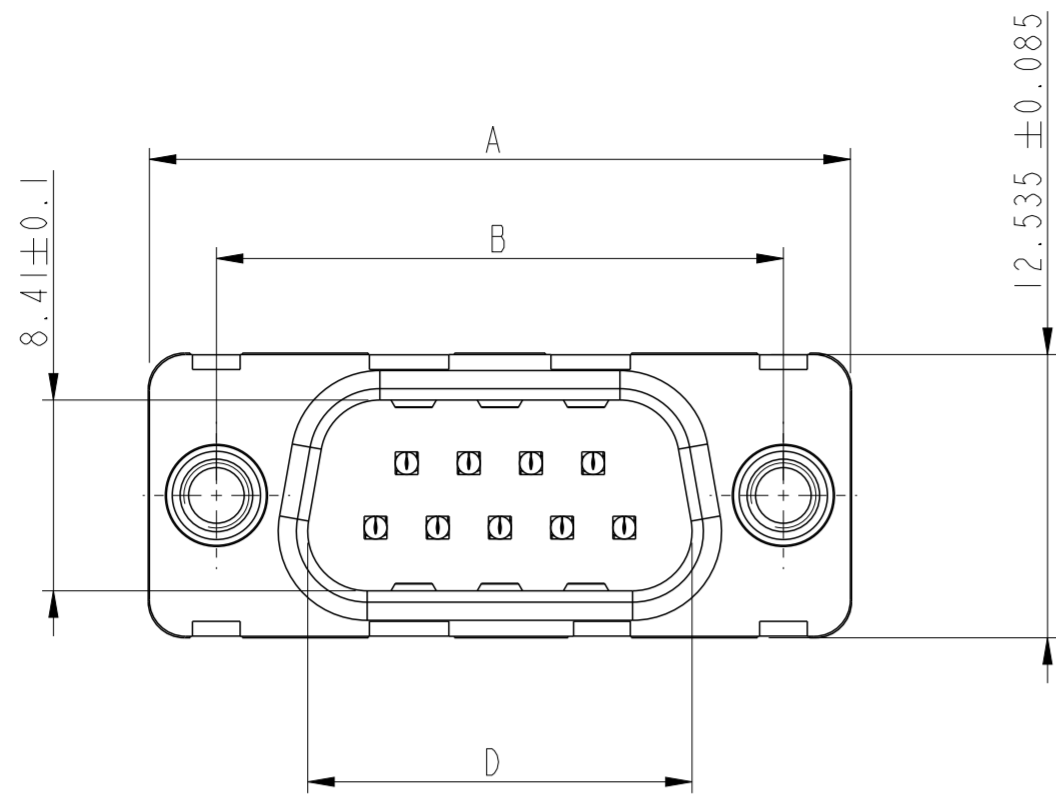
see : GS-12-372

### Packaging Specification

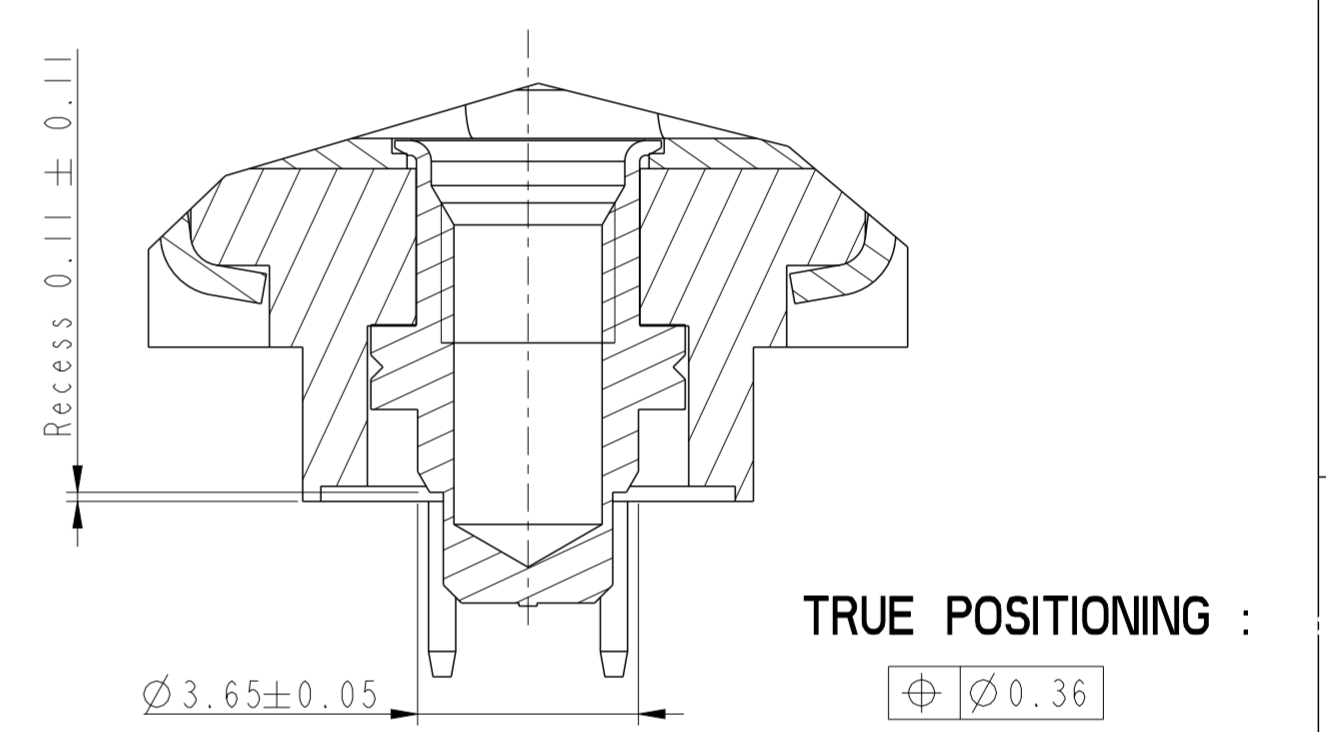
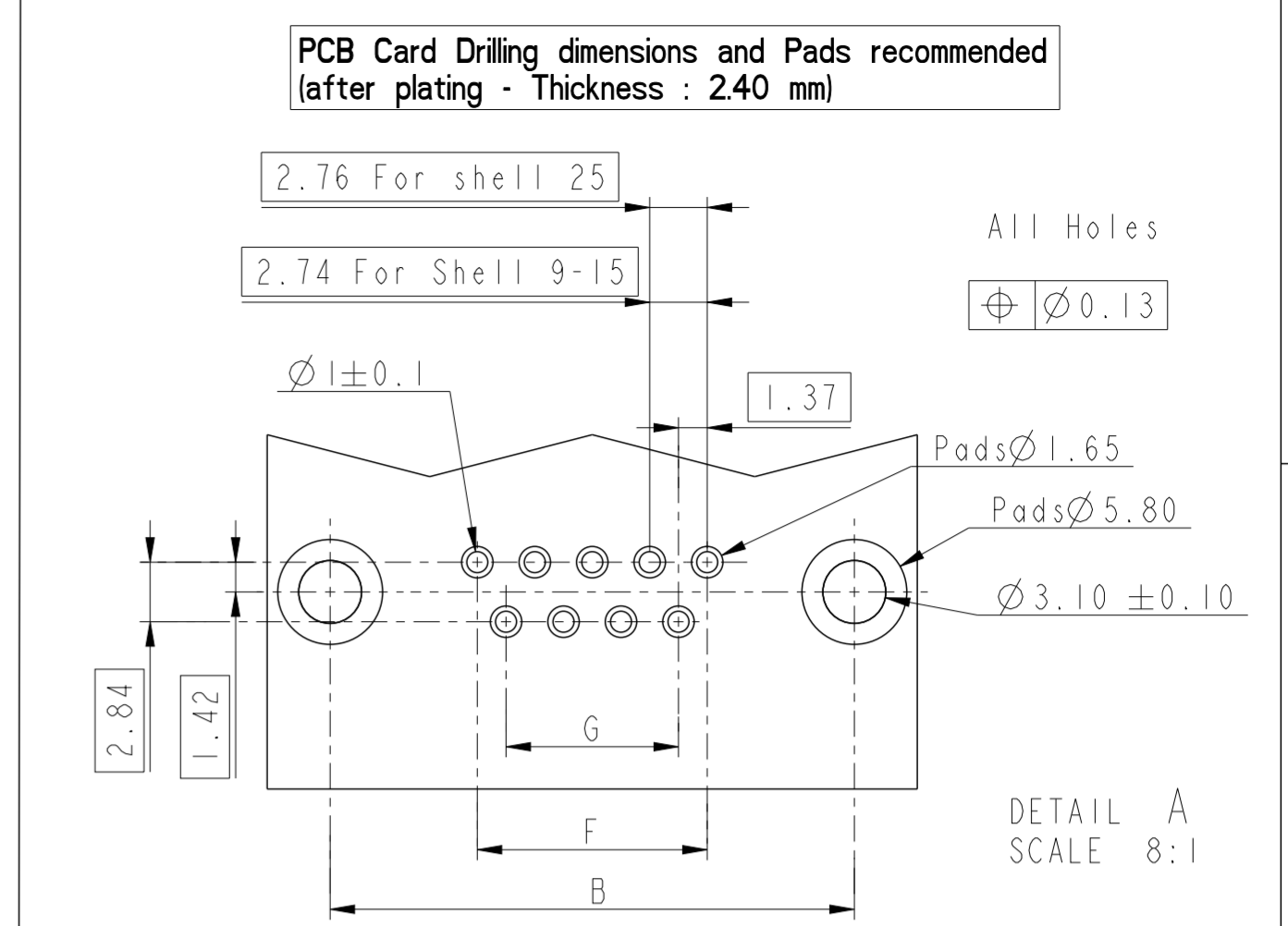
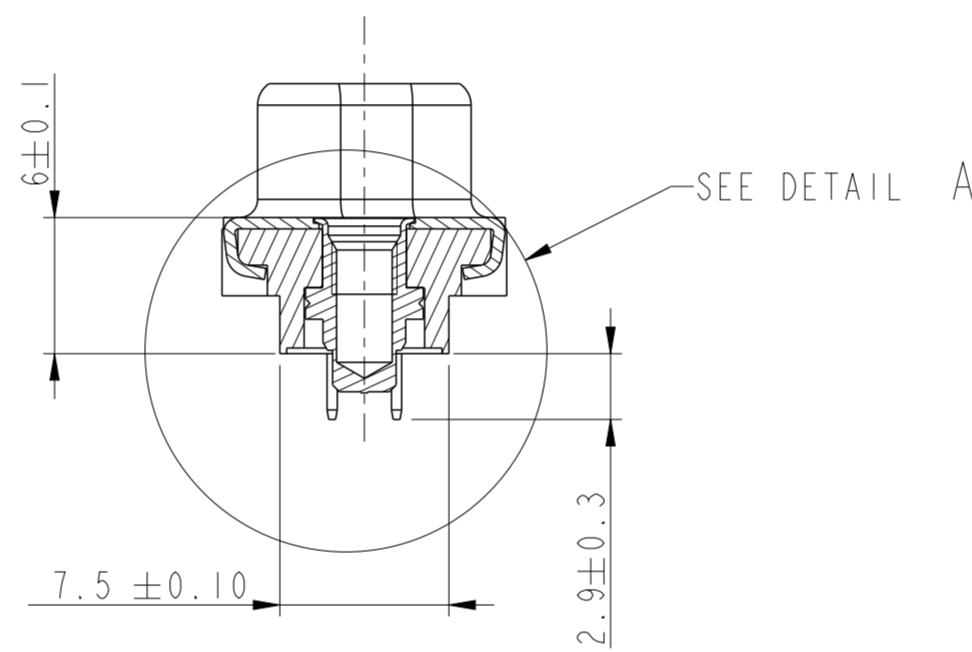
See GS-14-1061

www.fciconnect.com		surface <input checked="" type="checkbox"/> ISO 1302	tolerance std ISO 406 ISO 1101	projection	mm
TOLERANCES UNLESS OTHERWISE SPECIFIED					
Dr	H.LE GALLIC	06/08/22	ANGULAR	0.X	$\pm 0.3$
Eng	H.LEGALLIC	06/08/22	LINEAR	0.XX	$\pm 0.1$
Chr	NIRMAL G	2010-10-14	0° $\pm 2^\circ$	0.XXX	$\pm 0.05$
Appr	SUDHIR V	2010-10-14	Product family	SUB DELTA D PIP	Spec ref -
FCi			SUB DELTA D PIP MALE H=2.9		Rev. C
			straight for tray		dwg no C01-8646-0883
			SEE TABLE		CUSTOMER
					sheet 1 of 3

ltr	ecn no	dr	date
I	CREATED	HLE	06/08/22
A	LS06-0223	PCR	2006/12/21
B	110-0120	NG	2010-05-27
C	110-0197	NG	2010-10-14
-	-	-	-
-	-	-	-
-	-	-	-



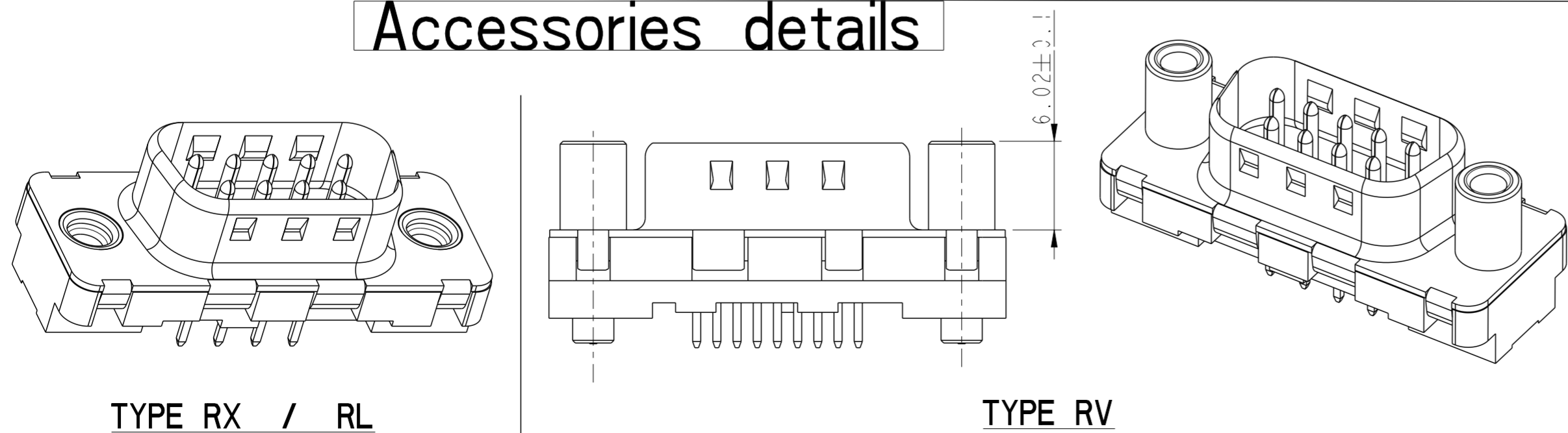
SECTION B-B



SHELL	P/N LEAD FREE	A ±0.38	B ±0.10	C ±0.10	D +0.25 0	E +0.15 0	F	G
09	D09P24B6xx09LF	30.81	24.99	16.96	16.79	5.9	10.96	8.22
15	D15P24B6xx09LF	39.14	33.32	25.18	25.12	5.9	19.18	16.44
25	D25P24B6xx09LF	53.03	47.04	39.12	38.84	5.7	33.12	30.36
37	D37P24B6xx09LF	69.32	63.50	55.68	55.30	5.7	49.68	46.92

FOR xx SEE SHEET 1

### Accessories details



www.fciconnect.com		surface	tolerance std	projection	mm
		ISO 1302	ISO 406 ISO 1101	$\varnothing$	
TOLERANCES UNLESS OTHERWISE SPECIFIED					
Dr	H.LE GALLIC	06/08/22	ANGULAR	0.x	±0.3
Eng	H.LEGALLIC	06/08/22	LINEAR	0.xx	±0.1
Chr	NIRMAL G	2010-10-14	0° ±2°	0.xxx	±0.05
Appr	SUDHIR V	2010-10-14	Product family	SUB DELTA D PIP	Spec ref
FCJ		SUB DELTA D PIP MALE H=2.9		C01-8646-0883	
straight for tray		SEE TABLE		CUSTOMER	
catalog no		sheet 2 of 3		Rev. C	

1

2

3

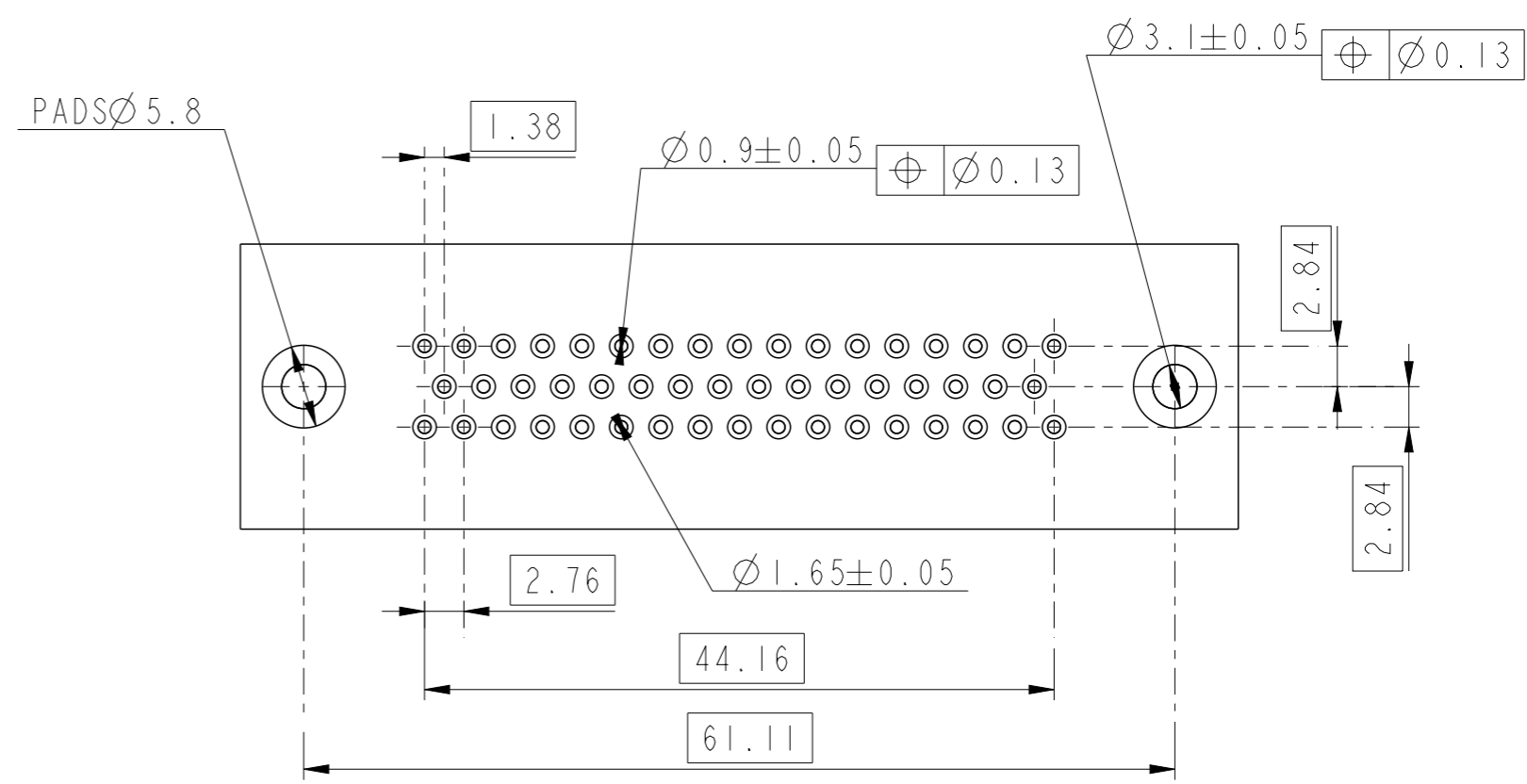
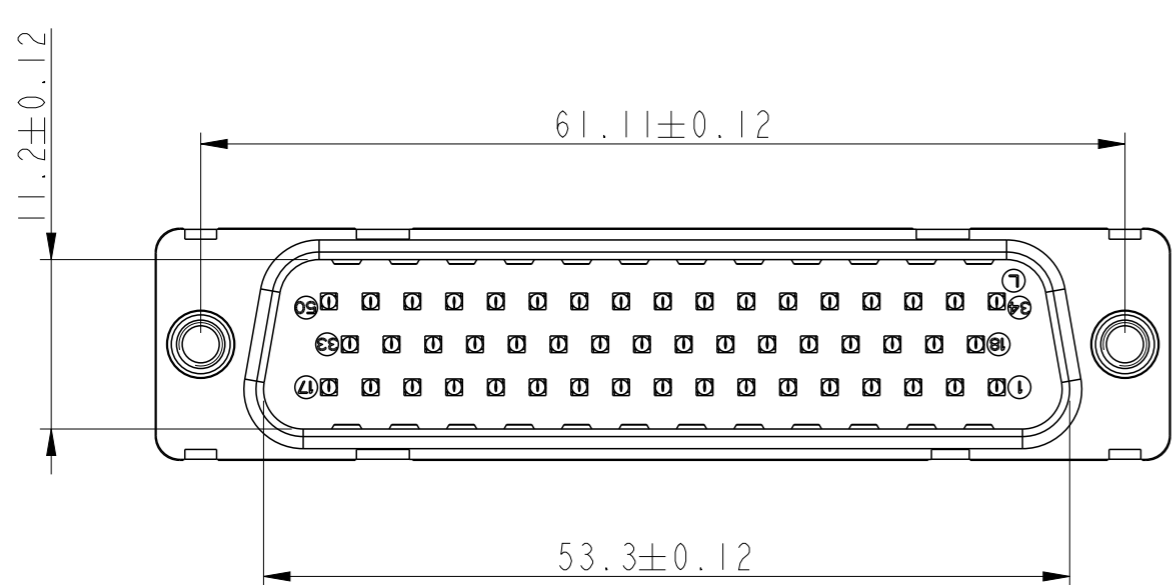
4

A

B

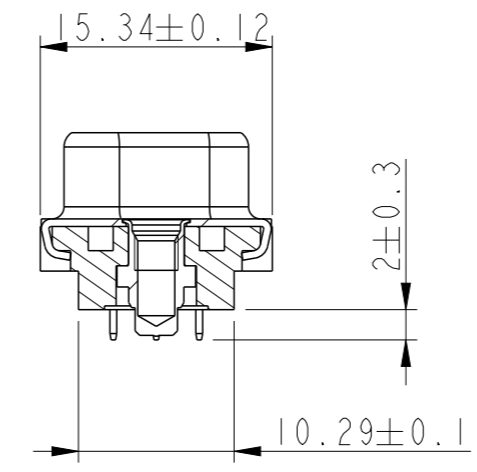
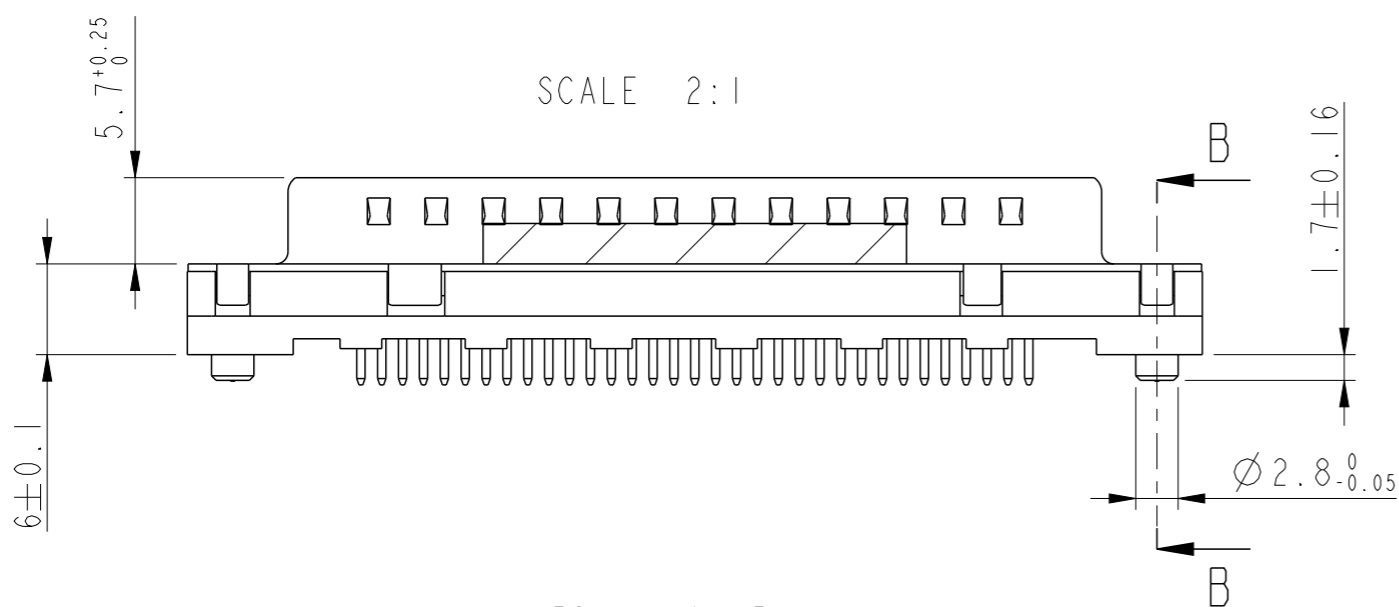
A

B



PC Card drilling dimensions and Pads recommended  
( after plating - Thickness : 2.40mm )

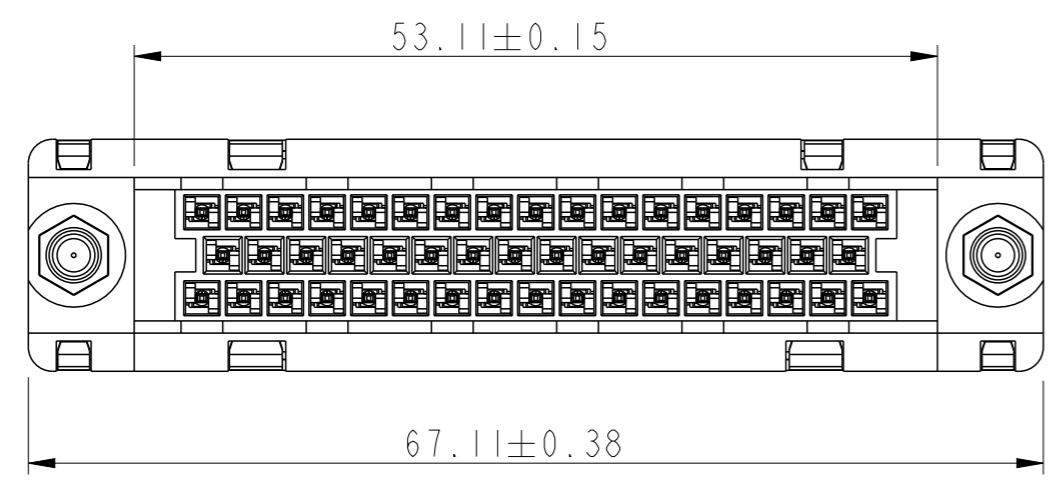
SCALE 2:1



SECTION B-B

P/N LEAD FREE  
D50P24B6xx09LF

FOR xx SEE SHEET 1



Copyright FCI.

www.fciconnect.com		surface - ✓ ISO 1302	tolerance std ISO 406 ISO 1101	projection mm
TOLERANCES UNLESS OTHERWISE SPECIFIED				
Dr	H.LE GALLIC	06/08/22	ANGULAR	0.X ±0.3
Eng	H.LEGALLIC	06/08/22	LINEAR	0.XX ±0.1
Chr	NIRMAL G	2010-10-14	0° ±2°	0.XXX ±0.05
Appr	SUDHIR V	2010-10-14	Product family	SUB DELTA D PIP
FCI		SUB DELTA D PIP MALE H=2.9		dwg no
straight for tray		SEE TABLE		C01-8646-0883
catalog no		CUSTOMER		Rev. C
		sheet 3 of 3		

1

2

3

4