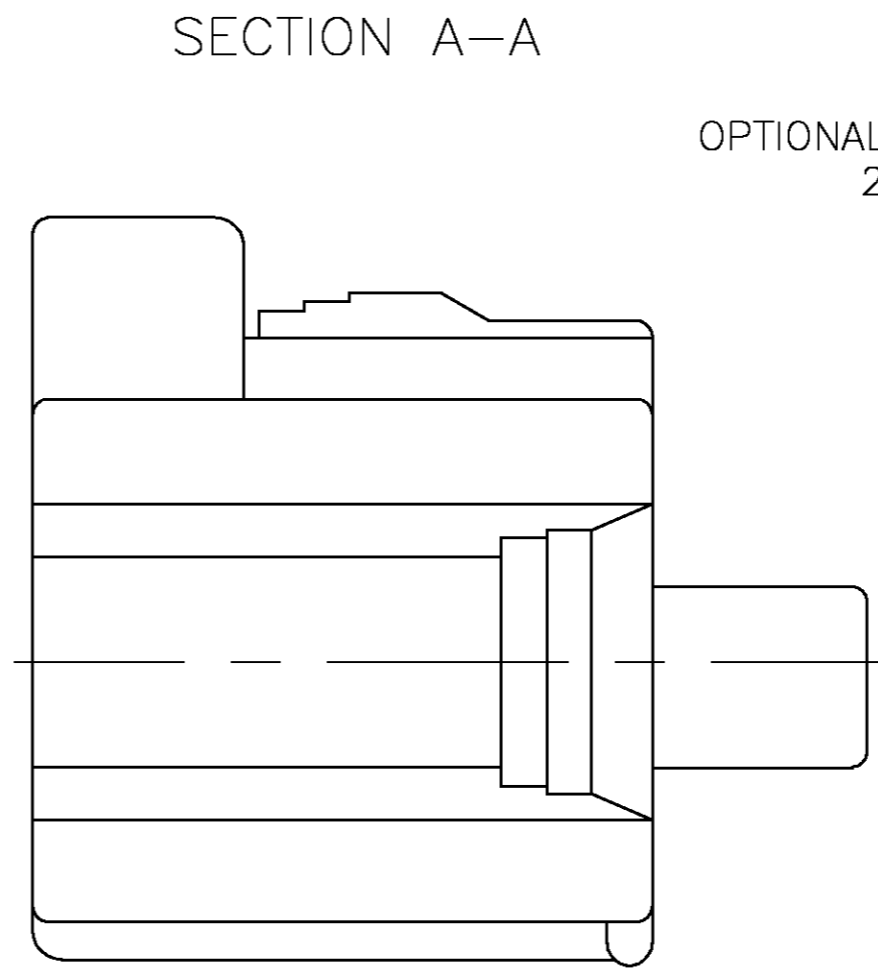
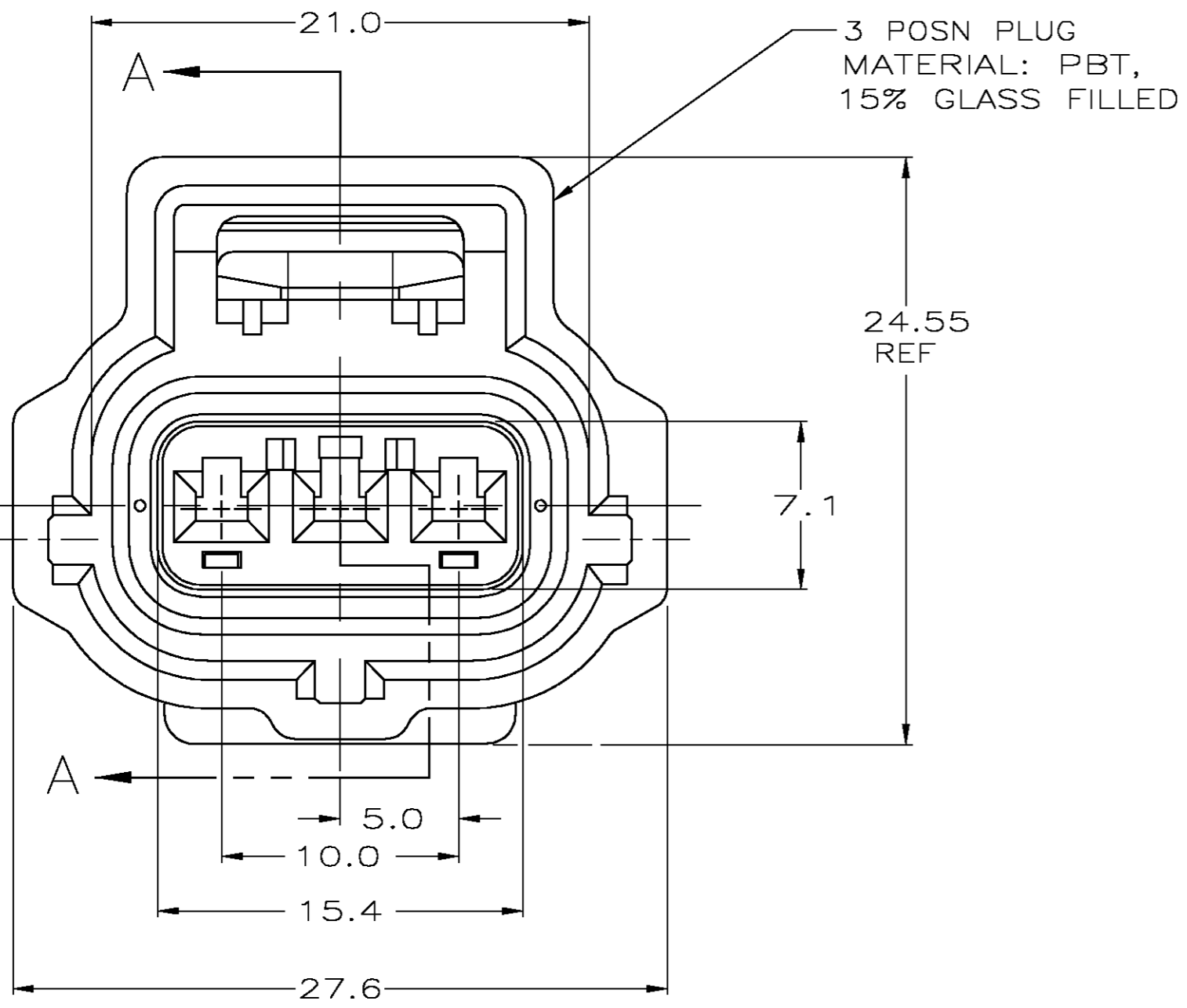
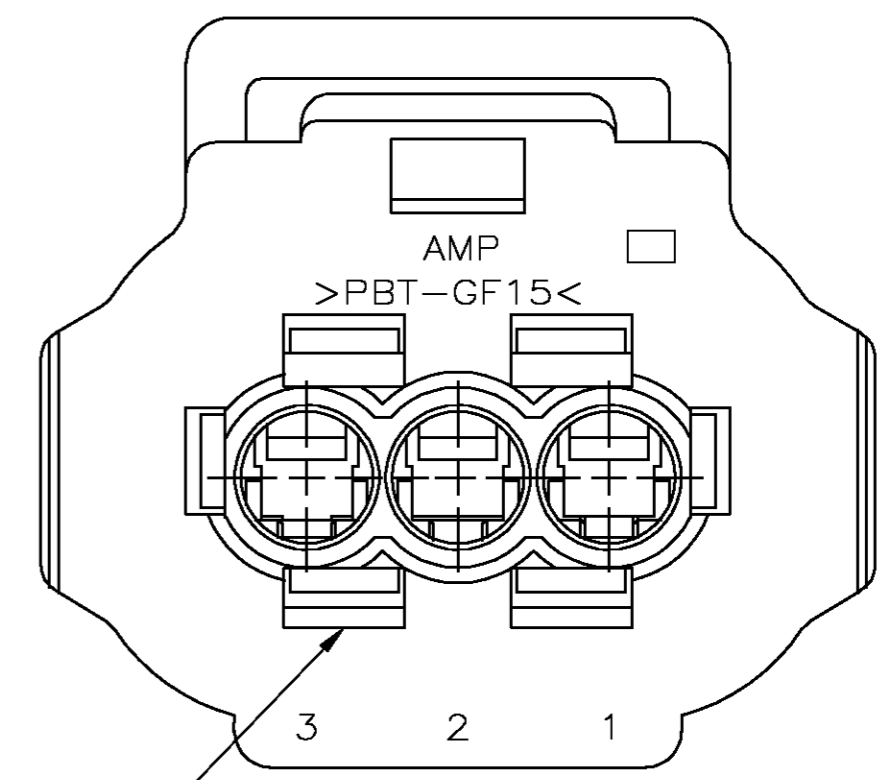
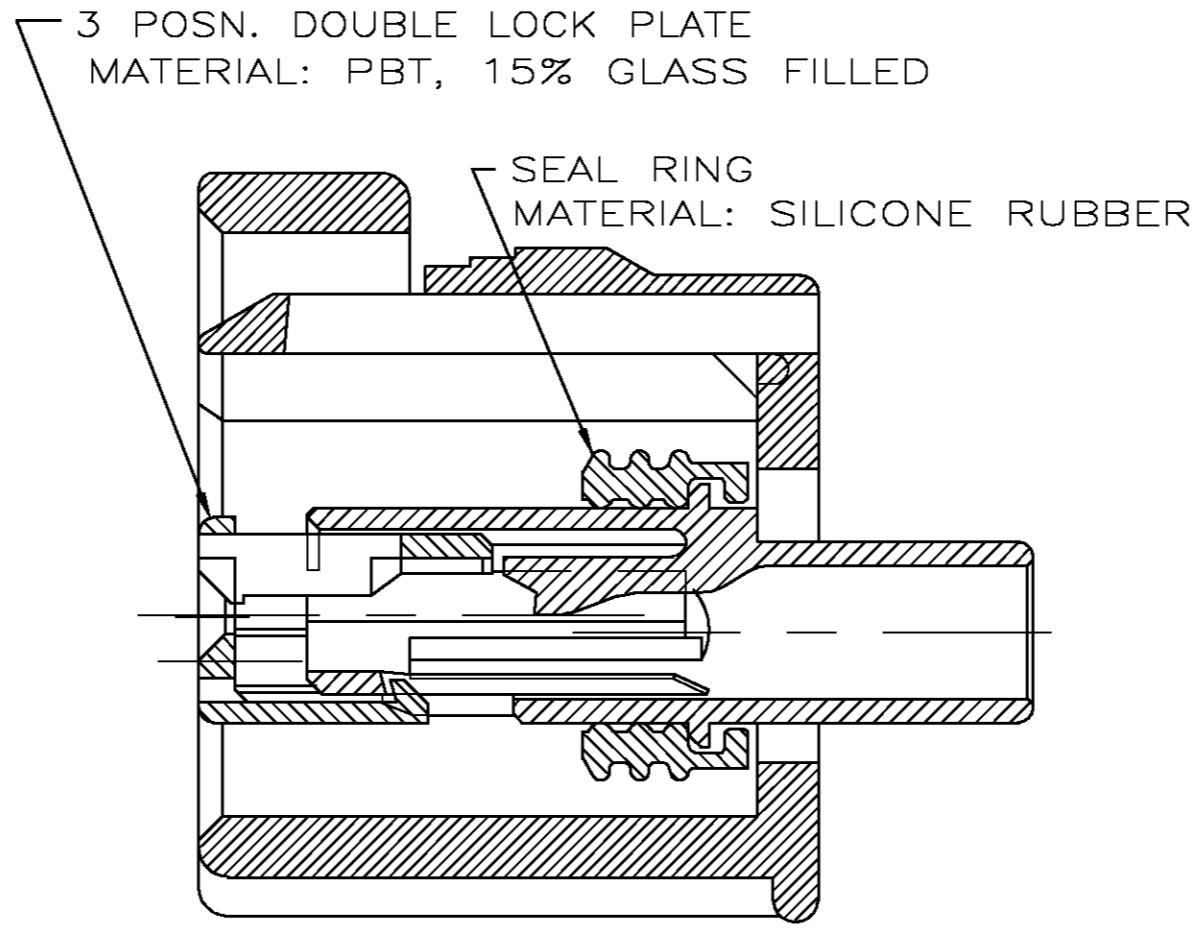
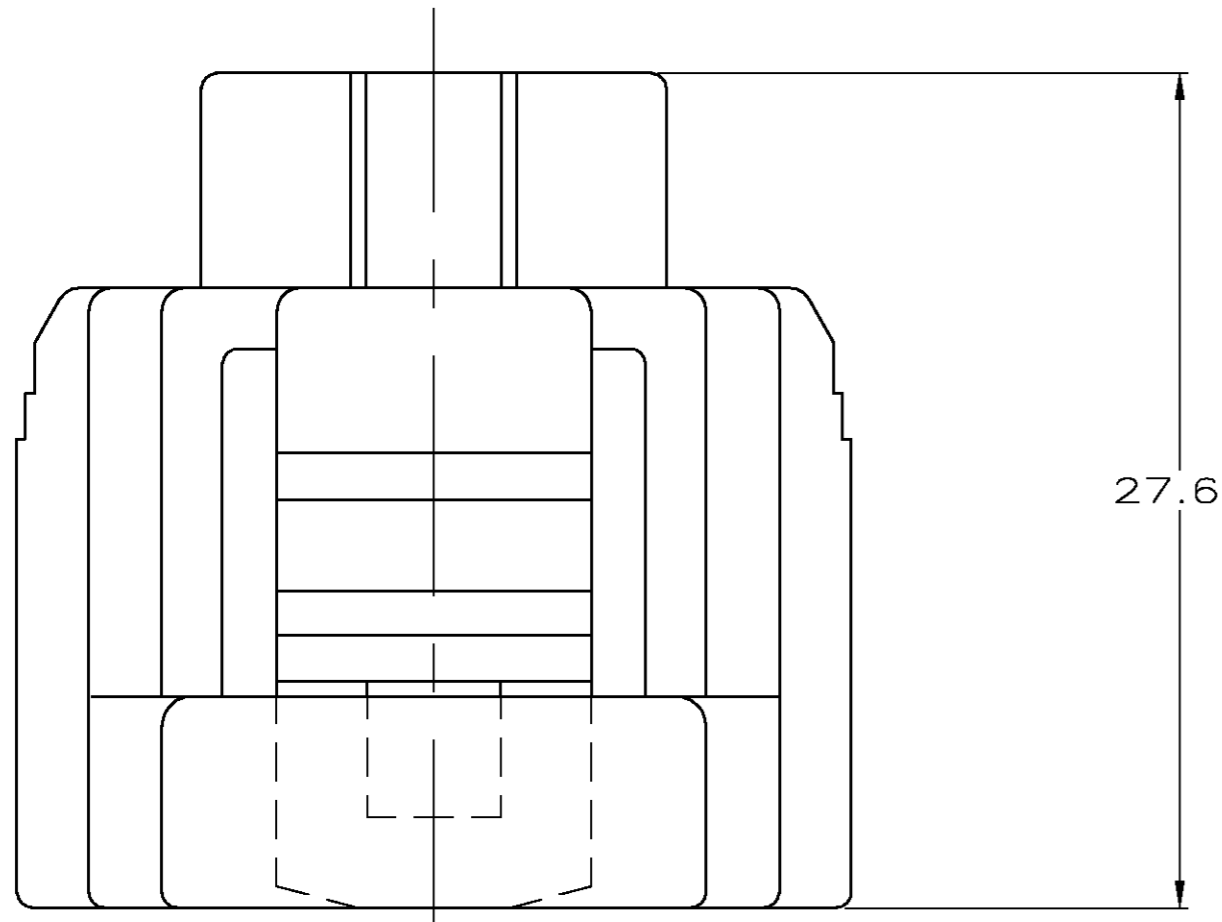
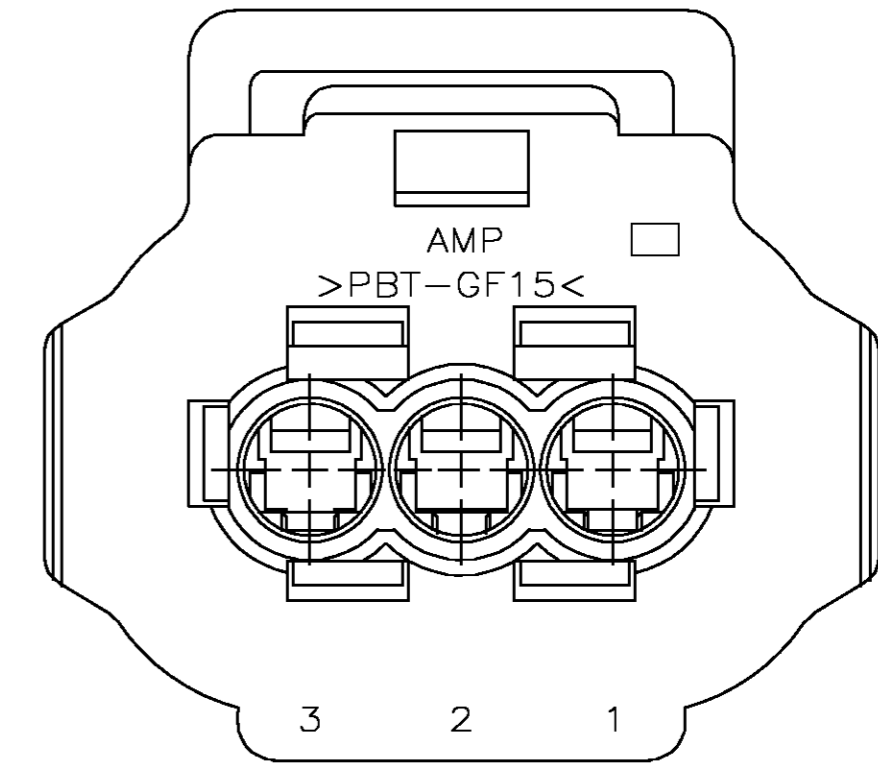


THIS DRAWING IS UNPUBLISHED. RELEASED FOR PUBLICATION  
 © COPYRIGHT BY TYCO ELECTRONICS CORPORATION. ALL RIGHTS RESERVED.

LOC		DIST		REVISIONS			
P	LTR	DESCRIPTION		DATE	DWN	APVD	
G	16	E		REVISED PER EC 0K40-0387-04	19NOV2004	DLD	KLK



OPTIONAL CORING  
2 PLACES



184034-1  
PART NO

THIS DRAWING IS A CONTROLLED DOCUMENT.		DWN	KD LYTLE	12/8/94	 Tyco Electronics Corporation Harrisburg, PA 17105-3608	
DIMENSIONS: MM		CHK	JP KUNKLE	12/9/94		
TOLERANCES UNLESS OTHERWISE SPECIFIED:		APVD	JP KUNKLE	12/9/94		
0 PLC ± - 1 PLC ± 0.3 2 PLC ± 0.3 3 PLC ± - 4 PLC ± - ANGLES ±1' -		NAME		PRODUCT SPEC		
MATERIAL AS NOTED		FINISH -		WEIGHT -	APPLICATION SPEC - SIZE A2 CAGE CODE 00779 DRAWING NO C=184034 RESTRICTED TO -	
CUSTOMER DRAWING				SCALE 4:1	SHEET 1 OF 1	REV E