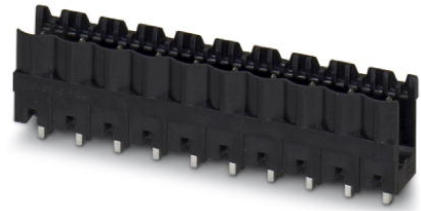


## CCV 2,5/ 4-G-5,08 P26THR

Order No.: 1955400

The figure shows a 10-position version of the product

<http://eshop.phoenixcontact.de/phoenix/treeViewClick.do?UID=1955400>

Header, Nominal current: 12 A, Rated voltage (III/2): 320 V,  
Number of positions: 4, Pitch: 5.08 mm, Color: black, Metal surface:  
Sn, Assembly: SMD/THT/THR, User information and design  
recommendations on through hole reflow technology can be found at:  
<http://www.combicon.com>

### Commercial data

|                          |  |
|--------------------------|--|
| GTIN (EAN)               | <br>4 017918 926199 |
| Note                     | Made-to-order  |
| sales group              | E172   |
| Pack                     | 50 pcs.  |
| Customs tariff           | 85366990   |
| Catalog page information | Page 236 (CC-2009)   |

### Product notes

WEEE/RoHS-compliant since:  
01/01/2003

<http://www.download.phoenixcontact.com>  
Please note that the data given here has been taken from the online catalog. For comprehensive information and data, please refer to the user documentation. The General Terms and Conditions of Use apply to Internet downloads.

### Technical data

#### Dimensions / positions

|        |         |
|--------|---------|
| Length | 8.6 mm  |
| Pitch  | 5.08 mm |

|                     |          |
|---------------------|----------|
| Dimension a         | 15.24 mm |
| Number of positions | 4        |
| Pin dimensions      | 1 x 1 mm |
| Pin spacing         | 5.08 mm  |
| Hole diameter       | 1.6 mm   |

#### Technical data

|                                     |                     |
|-------------------------------------|---------------------|
| Range of articles                   | CCV 2,5/...-G       |
| Insulating material group           | IIIa                |
| Rated surge voltage (III/3)         | 4 kV                |
| Rated surge voltage (III/2)         | 4 kV                |
| Rated surge voltage (II/2)          | 4 kV                |
| Rated voltage (III/2)               | 320 V               |
| Rated voltage (II/2)                | 400 V               |
| Connection in acc. with standard    | EN-VDE              |
| Nominal current $I_N$               | 12 A                |
| Nominal voltage $U_N$               | 250 V               |
| Maximum load current                | 12 A (per position) |
| Insulating material                 | LCP                 |
| Inflammability class acc. to UL 94  | V0                  |
| Nominal voltage, UL/CUL Use Group B | 250 V               |
| Nominal current, UL/CUL Use Group B | 10 A                |
| Nominal voltage, UL/CUL Use Group D | 300 V               |
| Nominal current, UL/CUL Use Group D | 10 A                |

#### Certificates / Approvals



Certification

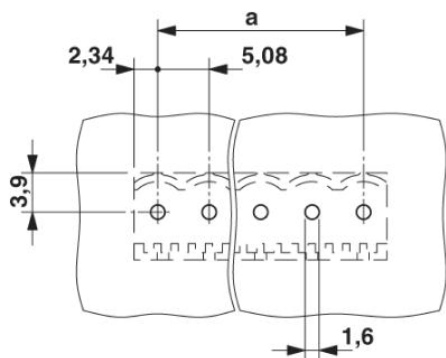
CUL, UL

**Accessories**

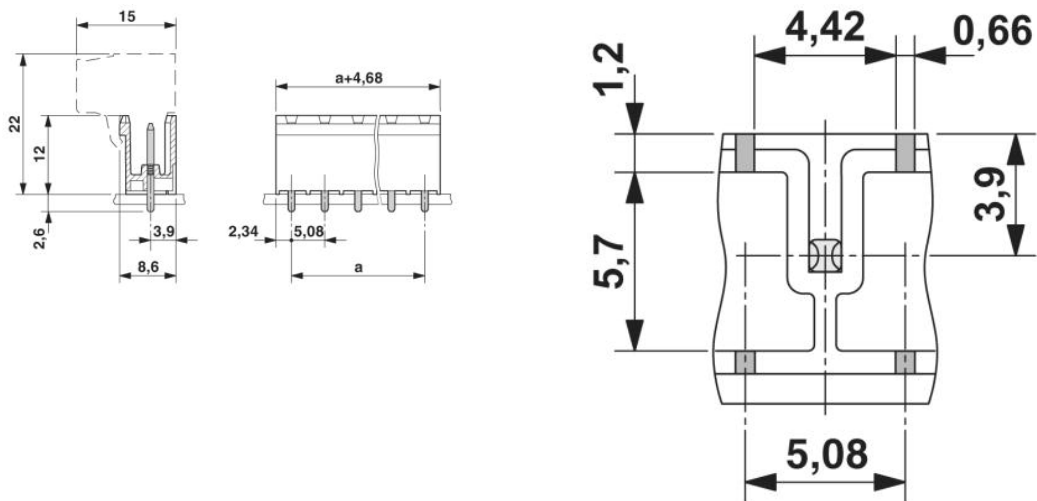
| Item                | Designation              | Description   |
|---------------------|--------------------------|---|
| <b>General</b>      |                          |   |
| 1954362             | CR-MSTB NAT HT           | HT keying section, prior to the reflow soldering process it is inserted into the recess on the header, made from high-temperature-resistant beige insulation material       |
| <b>Marking</b>      |                          |   |
| 1051993             | B-STIFT                  | Marker pen, for manual labeling of unprinted Zack strips, smear-proof and waterproof, line thickness 0.5 mm   |
| 0804293             | SK 5,08/3,8:FORTL.ZAHLEN | Marker card, printed horizontally, self-adhesive, 12 identical decades marked 1-10, 11-20 etc. up to 91-(99)100, sufficient for 120 terminal blocks                         |
| 0805085             | SK 5,08/3,8:SO           | Marker card, special printing, self-adhesive, labeled acc. to customer requirements, 12 identical marker strips per card, max. 25-position labeling per strip, color: white |
| 0805412             | SK 5,08/3,8:UNBEDRUCKT   | Marker cards, unprinted, with pitch divisions, self-adhesive, 10-section marker strips, 12 strips per card, can be labeled with the M-PEN                                   |
| <b>Plug/Adapter</b> |                          |   |
| 1734401             | CR-MSTB                  | Coding section, inserted into the recess in the header or the inverted plug, red insulating material  |

**Diagrams/Drawings**

Drilling plan/solder pad geometry



Dimensioned drawing



Bottom view, free space for solder paste,  
0.55 mm deep

**Address**

PHOENIX CONTACT Deutschland GmbH  
Flachmarktstr. 8  
32825 Blomberg, Germany  
Phone +49 5235 3 12000  
Fax +49 5235 3 41200  
<http://www.phoenixcontact.de>



© 2010 Phoenix Contact  
Technical modifications reserved;