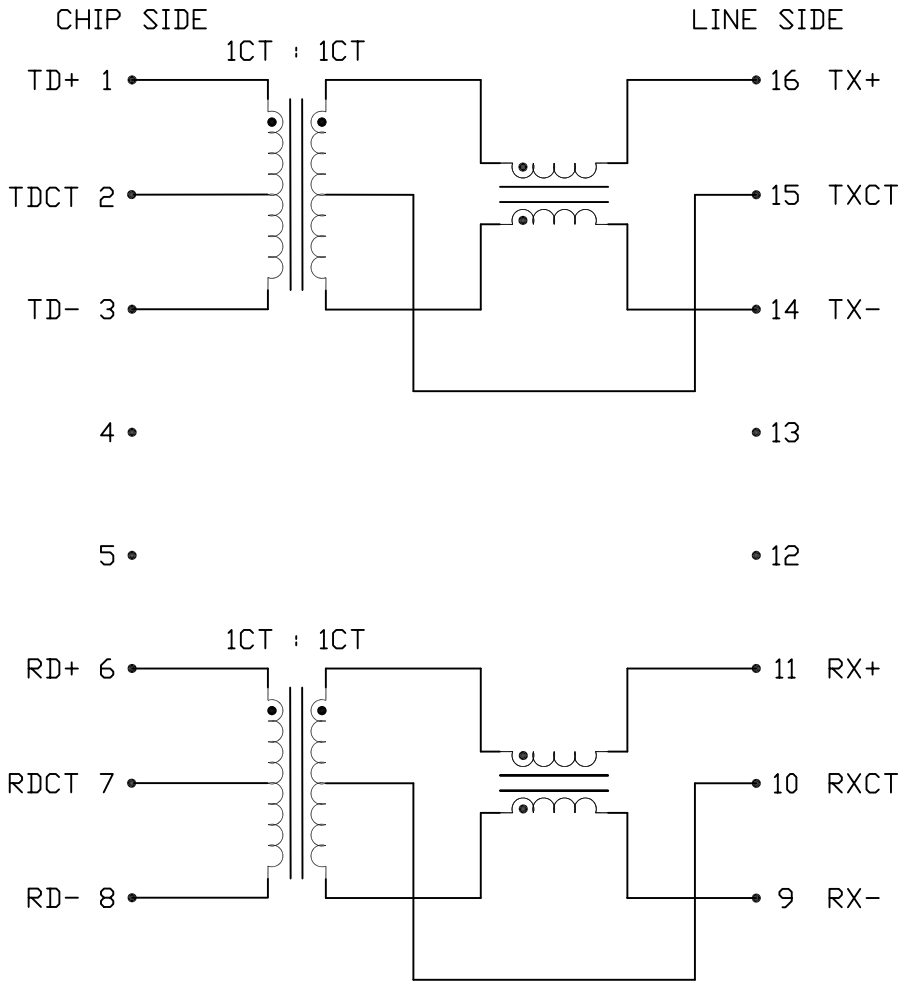


THE INFORMATION CONTAINED HEREIN IS CONSIDERED 'PROPRIETARY' TO BEL FUSE INC. AND SHALL NOT BE COPIED, REPRODUCED OR DISCLOSED WITHOUT THE WRITTEN APPROVAL OF BEL FUSE INC.

ELECTRICAL CHARACTERISTICS @25°C



SCHEMATIC



URNS RATIO

1-2-3 : 16-15-14
6-7-8 : 11-10-9

1CT : 1CT
1CT : 1CT

POLARITY

PER DOT CONVENTION

CL

Tx PIN 1-3
Rx PIN 6-8

350μH MIN
@100kHz, 100mVrms
w/8mA DC BIAS

LEAKAGE INDUCTANCE, L_e

CHIP SIDE WITH LINE SIDE SHORT

0.30μH MAX
@1MHz, 20mVrms

INTERWINDING CAPACITANCE, C_w/w

CHIP SIDE TO LINE SIDE

30pF MAX
@1MHz, 20mVrms

DC RESISTANCE

PIN (1-3) = (6-8)

1.10hm MAX

INSERTION LOSS

300kHz TO 80MHz

1.0dB MAX

RETURN LOSS

300kHz - 30MHz
30MHz - 60MHz
60MHz - 80MHz

18dB MIN
18-20LOG(F/30MHz) dB MIN
12dB MIN

COMMON TO COMMON MODE REJ.

300kHz - 100MHz

40dB TYP

COMMON TO DIFFERENTIAL MODE REJ.

300kHz - 100MHz

40dB MIN

CROSSTALK

300kHz - 100MHz

40dB MIN

HIPOT

1500Vrms

OPERATING TEMPERATURE -40°C TO +85°C

ORIGINATED BY	DATE	TITLE	PART NO. / DRAWING NO.	STANDARD DIM. TOL. IN INCH	[] METRIC DIM. AS REFERENCE
CH Chan	2012-08-23	10/100BT MAGNETICS MODDLE	X5585999U7-F	.X	UNIT : INCH [mm] REV. : PD
DRAWN BY	DATE	S558-5999-U7-F	FILE NAME	.XX	SCALE : N/A SIZE : A4
ZC Guo	2012-08-23		X5585999U7FPD.DWG	.XXX	PAGE : 2

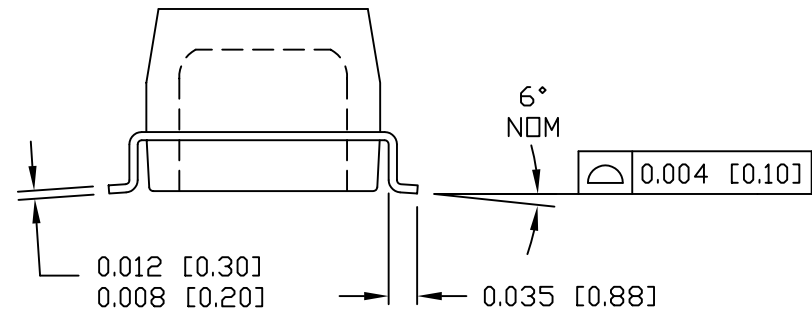
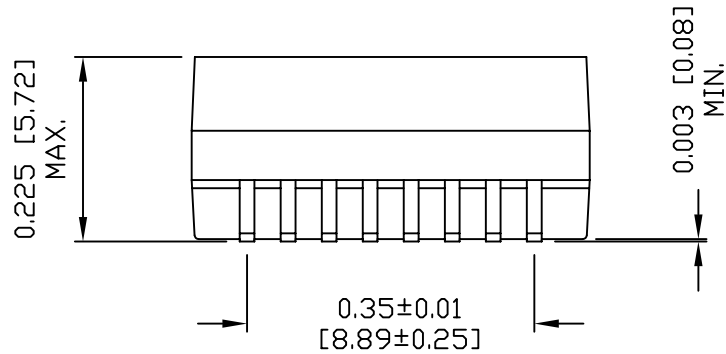
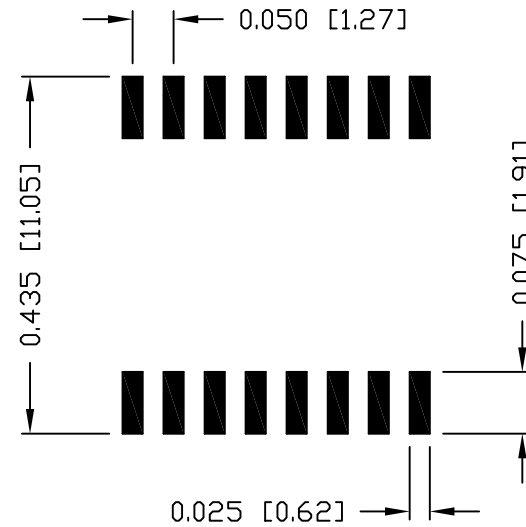
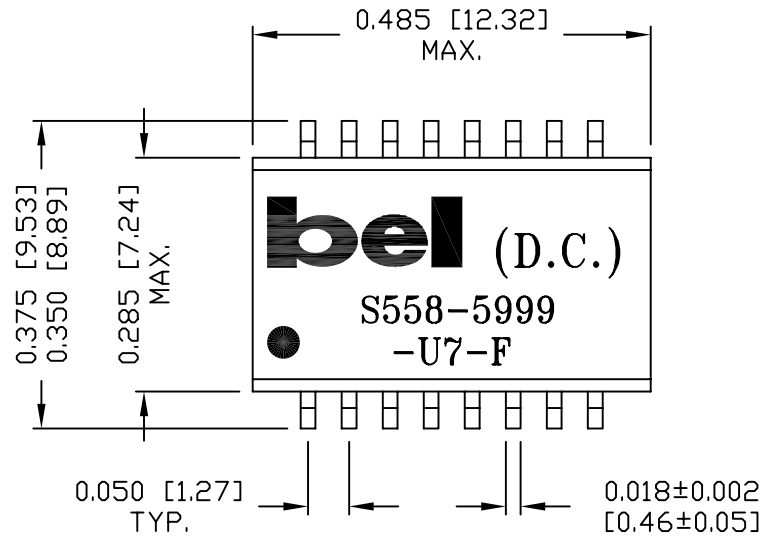


THE INFORMATION CONTAINED HEREIN IS CONSIDERED "PROPRIETARY" TO BEL FUSE INC. AND SHALL NOT BE COPIED, REPRODUCED OR DISCLOSED WITHOUT THE WRITTEN APPROVAL OF BEL FUSE INC.

RoHS



SUGGESTED PCB PAD LAYOUT



NOTES:

- STANDARD MARKING REFER TO DOC. HAND-WORK-04.
- PACKAGE CODE: "QBS001".

ORIGINATED BY Lawrence Tsang	DATE 2012-08-23	TITLE MECHANICAL DRAWING	PART NO. / DRAWING NO. X5585999U7-F	STANDARD DIM. TOL. IN INCH	[] METRIC DIM. AS REFERENCE	<p>COMPONENTS FOR A CONNECTED PLANET</p>
DRAWN BY ZC Guo	DATE 2012-08-23	S558-5999-U7-F	FILE NAME X5585999U7FPD.DWG	.X	UNIT : INCH [mm]	
				.XX ±0.01	SCALE : N/A	
				.XXX ±0.005	REV. : PD SIZE : A4 PAGE : 3	