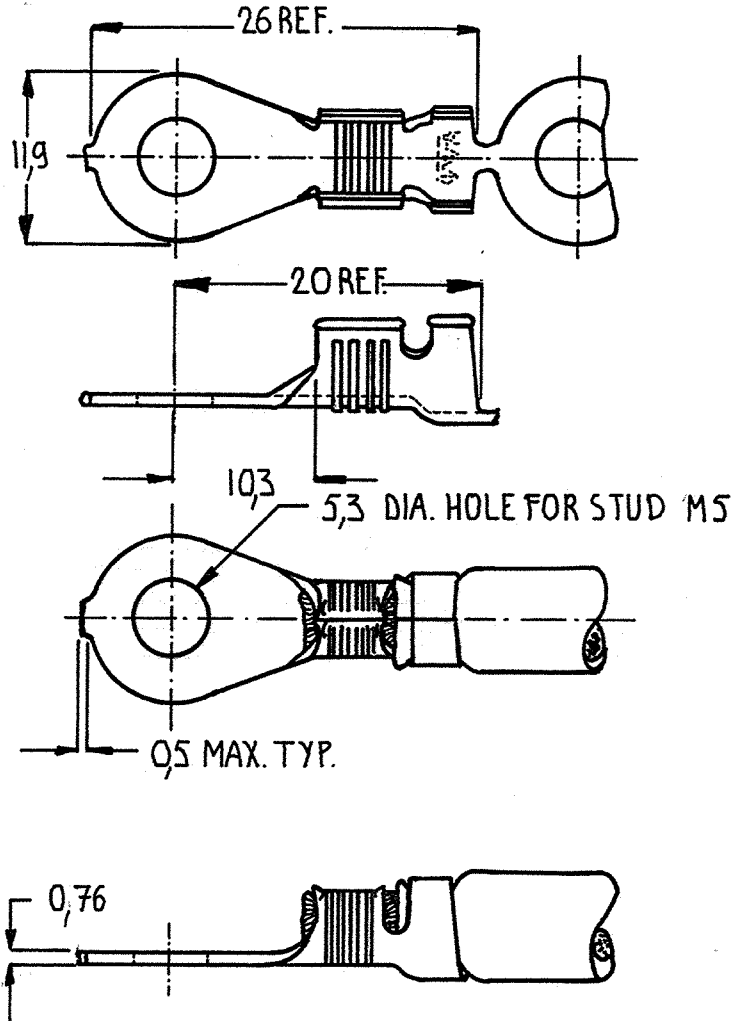
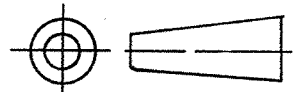


DO NOT SCALE

DIMENSIONS IN mm

METRIC

THIRD ANGLE PROJECTION



NOTES: $\triangle 1$ FOR USE ON STANDARD AND MINIATURE APPLICATORS.
 $\triangle 2$ FOR USE ON MINIATURE APPLICATORS. (AMP-O-MATOR APPL)

$\triangle 1 \triangle 2$	UNPLATED	BRASS	160092-3
$\triangle 1$	TINPLATED	BRASS	160092-2
$\triangle 1$	UNPLATED	BRASS	160092-1
NOTES	FINISH	MATERIAL	PART NUMBER

CUSTOMER DRAWING

AMP

AMP-HOLLAND B.V.
's-Hertogenbosch, The Netherlands

FOR REFERENCE ONLY
WILL NOT BE UPDATED

THIS DRAWING IS UNPUBLISHED*

RELEASED FOR PUBLICATION

, 19

© COPYRIGHT 19 BY AMP-HOLLAND B.V.
ALL INTERNATIONAL RIGHTS RESERVED.
AMP PRODUCTS MAY BE COVERED BY U.S. AND FOREIGN PATENTS AND/OR PATENTS PENDING.

DR. *[Signature]* 20/4-83
 CHK. *[Signature]* 29/4.83
 APP. *[Signature]* 28.4.83

WIRE RANGE
3,1 - 5,3 mm²
 INSUL. RANGE
3,8 - 5,3 DIA.

NAME
RINGTONGUE

REV. DATE
D M Y

28 4 83

SIZE A4
SHEET 1 OF 1

DRAWING NO
C-160092

REV. LTR.
0