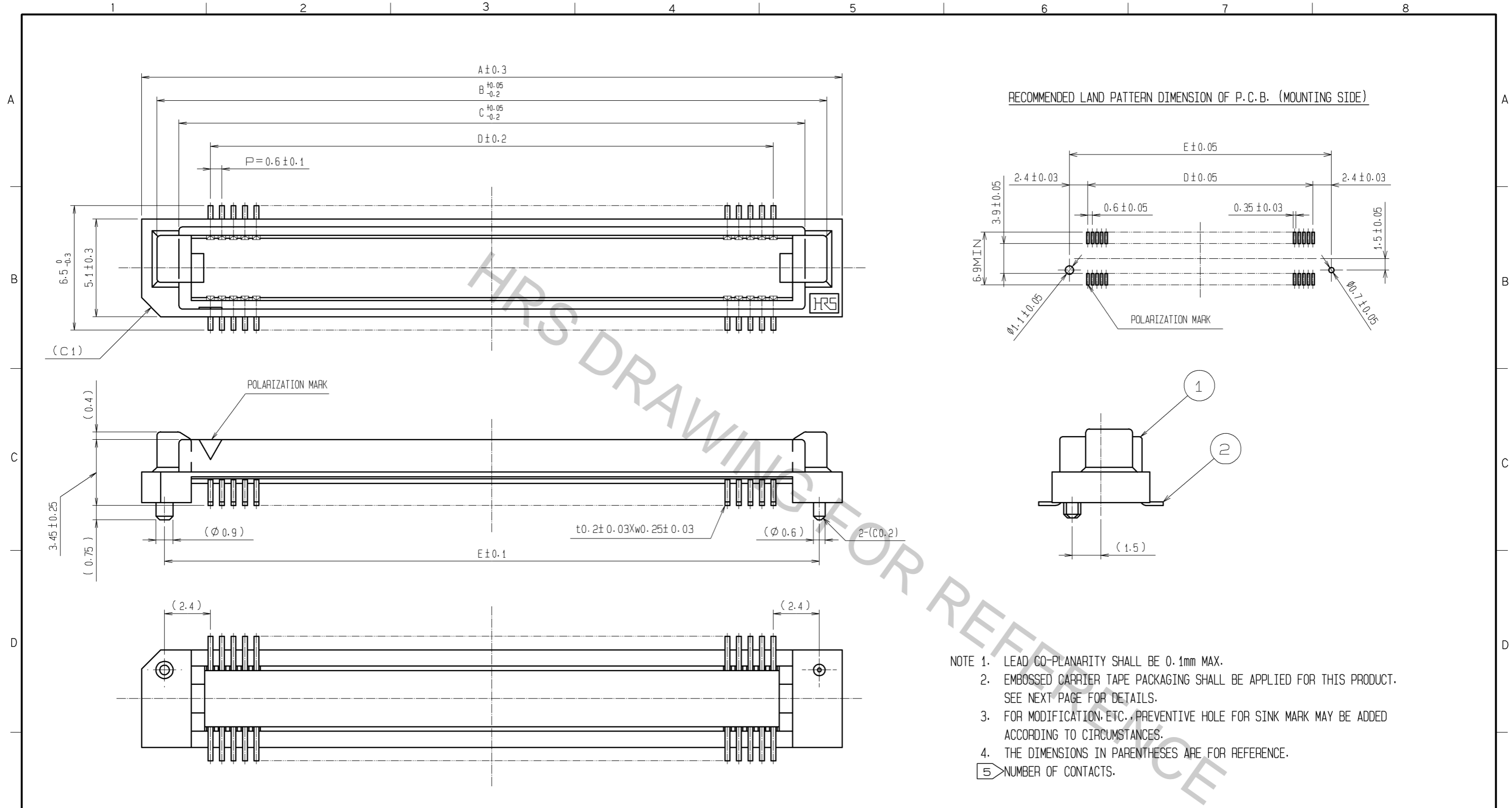


May.1.2017 Copyright 2017 HIROSE ELECTRIC CO., LTD. All Rights Reserved.



- NOTE 1. LEAD CO-PLANARITY SHALL BE 0.1mm MAX.
 2. EMBOSSED CARRIER TAPE PACKAGING SHALL BE APPLIED FOR THIS PRODUCT. SEE NEXT PAGE FOR DETAILS.
 3. FOR MODIFICATION, ETC., PREVENTIVE HOLE FOR SINK MARK MAY BE ADDED ACCORDING TO CIRCUMSTANCES.
 4. THE DIMENSIONS IN PARENTHESES ARE FOR REFERENCE.
 5. NUMBER OF CONTACTS.

DIMENSION TABLE OF CONNECTOR AND P.C.B. LAND PATTERN.

PART No.	CODE No.	5	A	B	C	D	E
FX8- 60P-SV1(92)	CL578-0041-0-92	60	24.6	23	20.7	17.4	22.2
FX8- 80P-SV1(92)	CL578-0043-6-92	80	30.6	29	26.7	23.4	28.2
FX8- 90P-SV1(92)	CL578-0044-9-92	90	33.6	32	29.7	26.4	31.2
FX8-100P-SV1(92)	CL578-0045-1-92	100	36.6	35	32.7	29.4	34.2
FX8-120P-SV1(92)	CL578-0046-4-92	120	42.6	41	38.7	35.4	40.2
FX8-140P-SV1(92)	CL578-0047-7-92	140	48.6	47	44.7	41.4	46.2

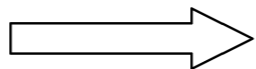
NO.	MATERIAL	FINISH	REMARKS	NO.	MATERIAL	FINISH	REMARKS
4	POLYESTER		(TOP COVER TAPE)	2	PHOSPHOR BRONZE		CONTACT AREA:GOLD 0.1μm min.
3	POLYSTYRENE		(EMBOSSD CARRIER TAPE)				LEAD AREA:TIN-PLATING 1μm min.
1	PPS		LIGHT BROWN(UL94V-0)				UNDER PLATING:NICKEL1μm min.

UNITS	SCALE	COUNT	DESCRIPTION OF REVISIONS	DESIGNED	CHECKED	DATE
mm	FREE	2	DIS-F-006743	CR. TAKESHIMA	HT. YAMAGUCHI	13.04.16

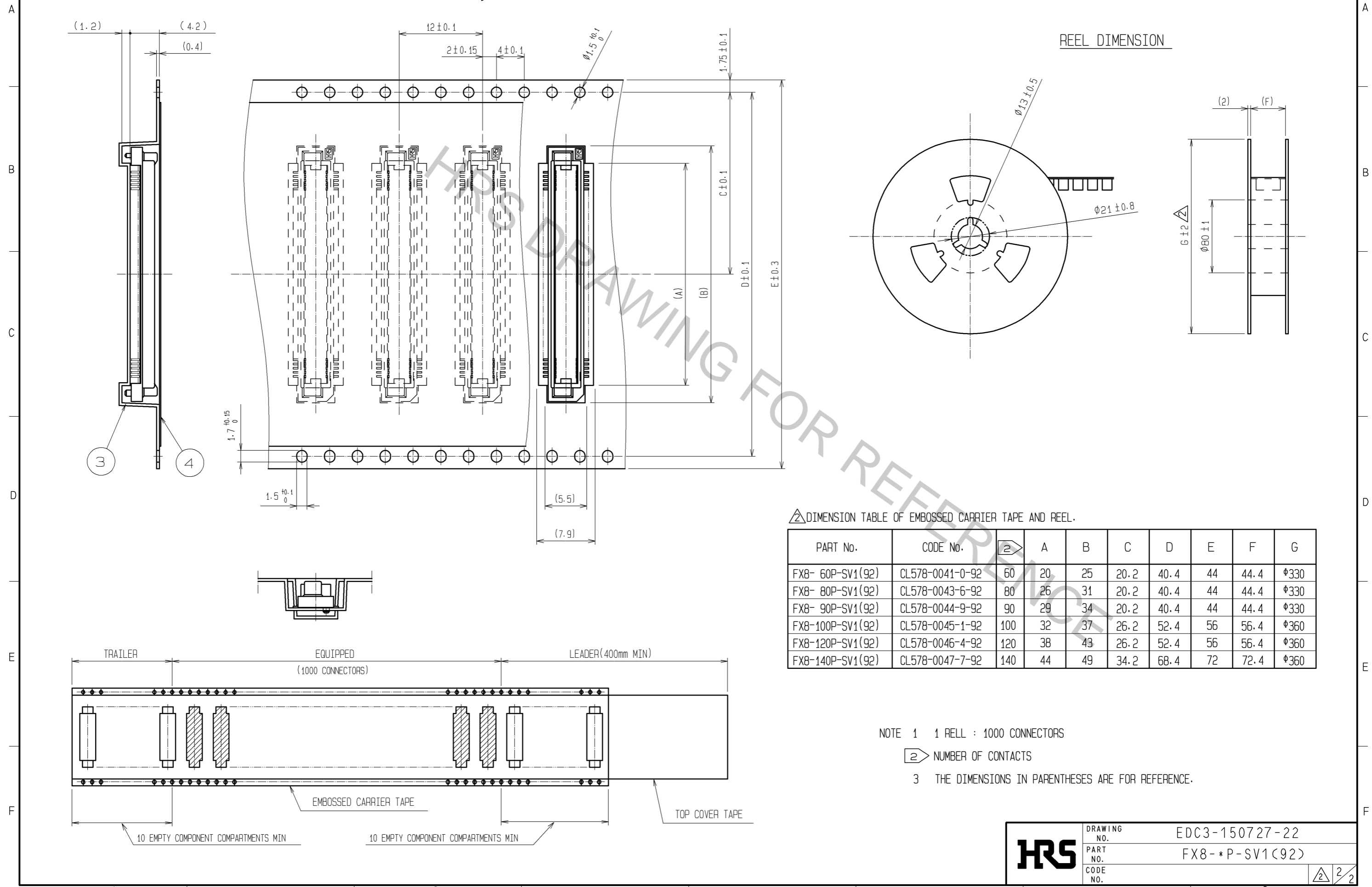
APPROVED	CHECKED	DESIGNED	DRAWN	DRAWING NO.	PART NO.	CODE NO.
:KJ. KATAYOSE	:HS. OKAWA	:KT. DOI	:KT. DOI	EDC3-150727-22	FX8-*P-SV1(92)	
05.01.05	05.01.05	05.01.05	05.01.05			

DRAWING FOR PACKING(FREE)

UNREELING DIRECTION



REEL DIMENSION



△ DIMENSION TABLE OF EMBOSSED CARRIER TAPE AND REEL.

PART No.	CODE No.	△	A	B	C	D	E	F	G
FX8- 60P-SV1(92)	CL578-0041-0-92	60	20	25	20.2	40.4	44	44.4	φ330
FX8- 80P-SV1(92)	CL578-0043-6-92	80	25	31	20.2	40.4	44	44.4	φ330
FX8- 90P-SV1(92)	CL578-0044-9-92	90	29	34	20.2	40.4	44	44.4	φ330
FX8-100P-SV1(92)	CL578-0045-1-92	100	32	37	26.2	52.4	56	56.4	φ360
FX8-120P-SV1(92)	CL578-0046-4-92	120	38	43	26.2	52.4	56	56.4	φ360
FX8-140P-SV1(92)	CL578-0047-7-92	140	44	49	34.2	68.4	72	72.4	φ360

- NOTE 1 1 REEL : 1000 CONNECTORS
- △ NUMBER OF CONTACTS
- 3 THE DIMENSIONS IN PARENTHESES ARE FOR REFERENCE.

HRS

DRAWING NO.	EDC3-150727-22
PART NO.	FX8- * P - SV1(92)
CODE NO.	

△ 2/2