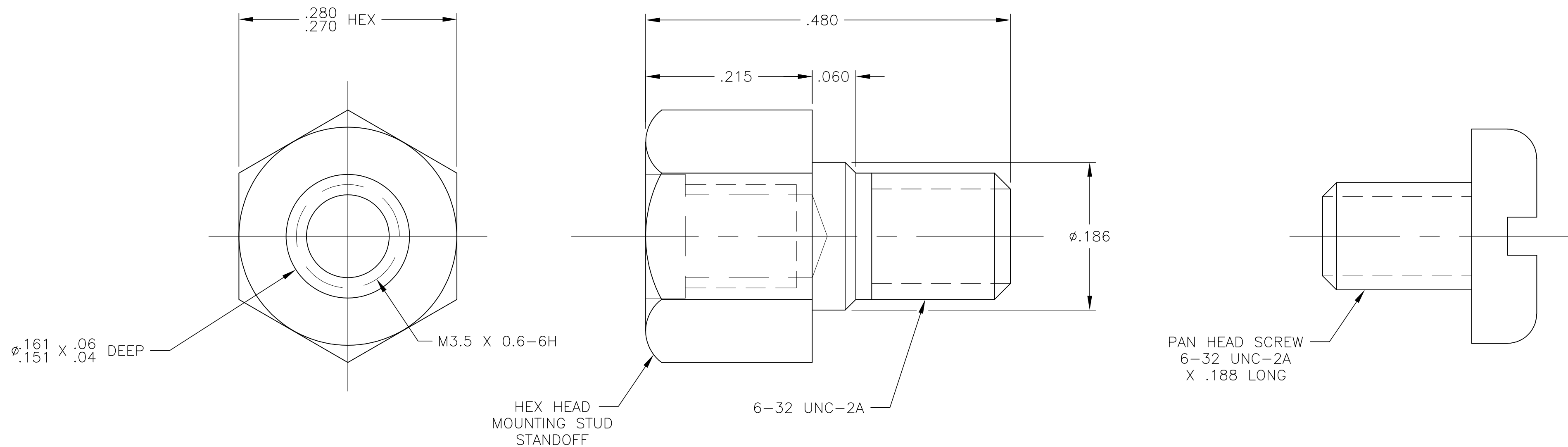


THIS DRAWING IS UNPUBLISHED. RELEASED FOR PUBLICATION
 © COPYRIGHT BY TYCO ELECTRONICS CORPORATION. ALL RIGHTS RESERVED.

LOC	DIST	REVISIONS			
P	LTR	DESCRIPTION	DATE	DWN	APVD
GP	00	A	RELEASED	9/MAY/07	ZMR WLM

- 1 ALL DIMENSIONS SHOWN ARE MAXIMUM UNLESS OTHERWISE SPECIFIED.
- 2 MATERIAL/FINISH:
 STANDOFF - BLACK OXIDE COATED CARBON STEEL
 PANHEAD SCREW - ZINC PLATED CARBON STEEL.
- 3. TWO OF EACH COMPONENT REQUIRED PER KIT.
- 4. ONE KIT SHIPPED PER POLY BAG.



.062	.062 - .093	5554858-1
PBC THICKNESS	PANEL THICKNESS	PART No.

THIS DRAWING IS A CONTROLLED DOCUMENT.		DWN Z. REAM 9/MAY/07	Tyco Electronics Corporation Harrisburg, PA 17105-3608	
DIMENSIONS: INCHES		CHK W. MILLHIMES 9/MAY/07	NAME	
TOLERANCES UNLESS OTHERWISE SPECIFIED:		APVD R. WERTZ 9/MAY/07	HARDWARE KIT, VERTICAL MOUNTING PREASSEMBLED SHIELDED IEEE CHAMP	
0 PLC ± -	1 PLC ± -	PRODUCT SPEC	SIZE	RESTRICTED TO
2 PLC ± -	3 PLC ± -	APPLICATION SPEC	CAGE CODE	
4 PLC ± -	ANGLES ± -		DRAWING NO	
MATERIAL	FINISH	WEIGHT	A2 00779	5554858
		CUSTOMER DRAWING	SCALE 1:1	SHEET 1 of 1

5554858