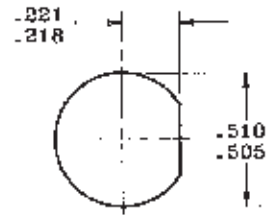
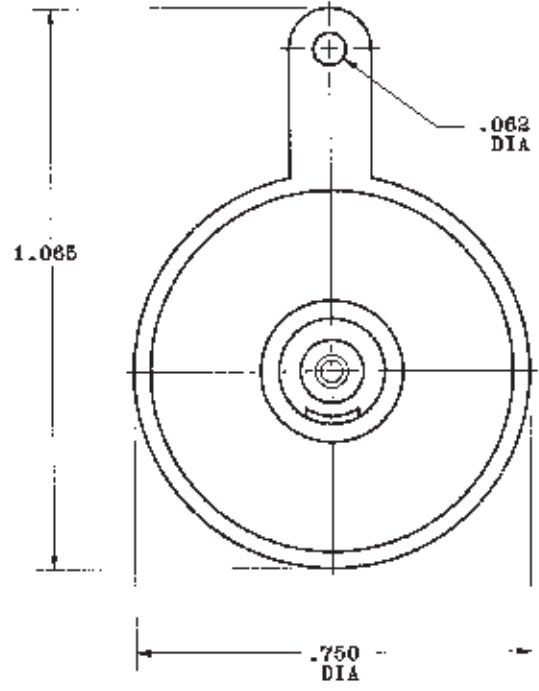
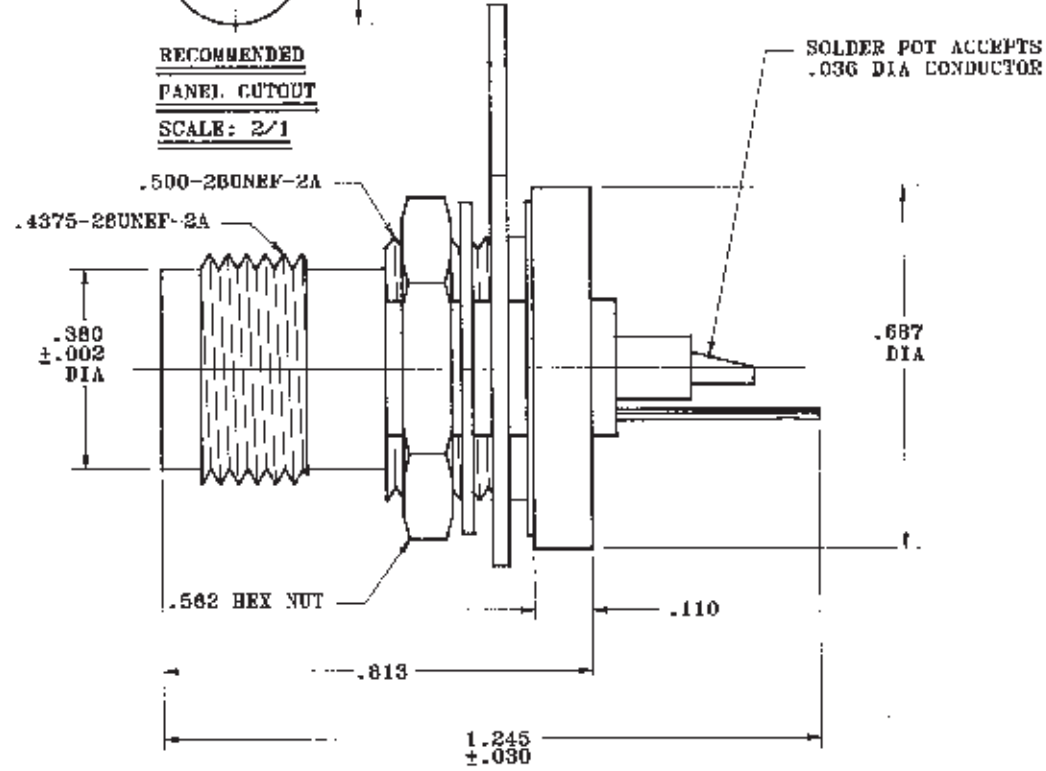


DATA CONTAINED IN THIS DOCUMENT IS PROPRIETARY TO TROMPETER ELECTRONICS INC. AND SHALL NOT BE DISCLOSED, COPIED OR USED FOR PROCUREMENT OR MANUFACTURE WITHOUT EXPRESS WRITTEN PERMISSION.

REVISIONS			3000-0098	SH 1	
REV	EO	DESCRIPTION	DWN	APPROVED	DATE
D	7845	REV BOX & ① .SH 2 & REDWN	RAG	<i>[Signature]</i>	9-27-87
E	7871	OBSOLETE	RAG	<i>[Signature]</i>	7-20-85
F	8290	DWG RE-INSTATED	DKC	<i>[Signature]</i>	12-22-82



RECOMMENDED
PANEL CUTOUT
SCALE: 2/1



INCH	MM
.002	0.05
.005	0.13
.030	0.76
.036	0.91
.082	1.57
.094	2.39
.110	2.79
.218	5.54
.221	5.61
.380	9.65
.505	12.83
.510	12.95
.687	14.27
.750	19.05
.813	20.65
1.085	27.05
1.245	31.82

4. MAX PANEL THK .094
3. CONCENTRIC TWINAX/TRIAX TWT REAR MOUNT SOLDER POT BULKHEAD RECEPTACLE
2. FINISH: TFS-1A (NICKEL)
1. ALL DIM ARE IN INCHES

QTY	DESCRIPTION	PART NUMBER	ITEM
TOL UNLESS SPECIFIED .XX ± .XXX ±.005 .XXXX ± ANGLES	TROMPETER RF connectivity <small>a crutch connectivity solutions brand</small>	BJS71	
DWN	RAG 8/31/87	MATERIAL	CODE TRFVT
CHK	<i>[Signature]</i> 9-14-87	14949	DRAWING NO.
ENGR	<i>[Signature]</i> 9-15-87	3000-0098	REV
NEXT ASSY	APPR <i>[Signature]</i> 9-21-87	SCALE 4/1	DATE 1/17/83
		SHEET	1 OF 2