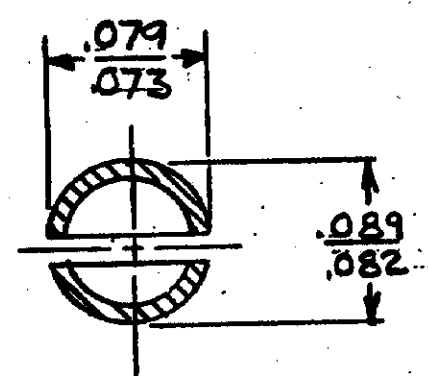
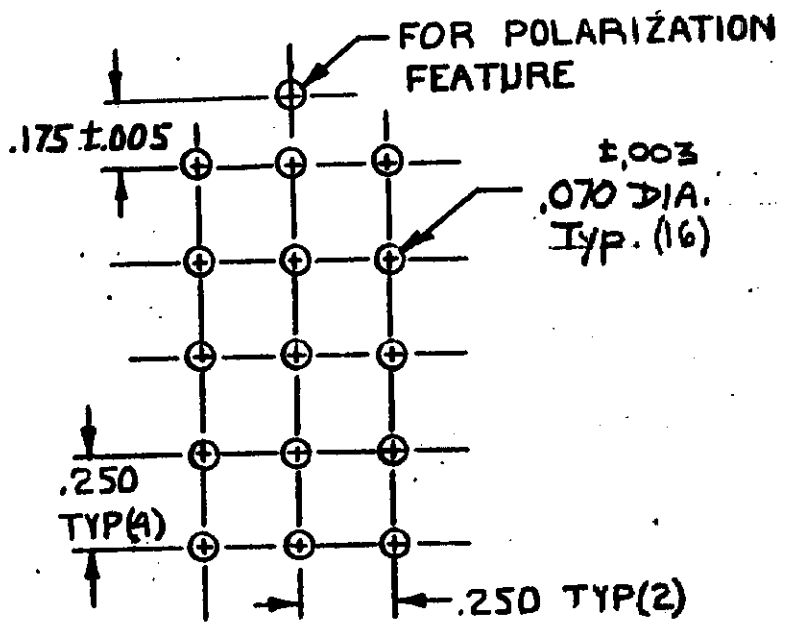
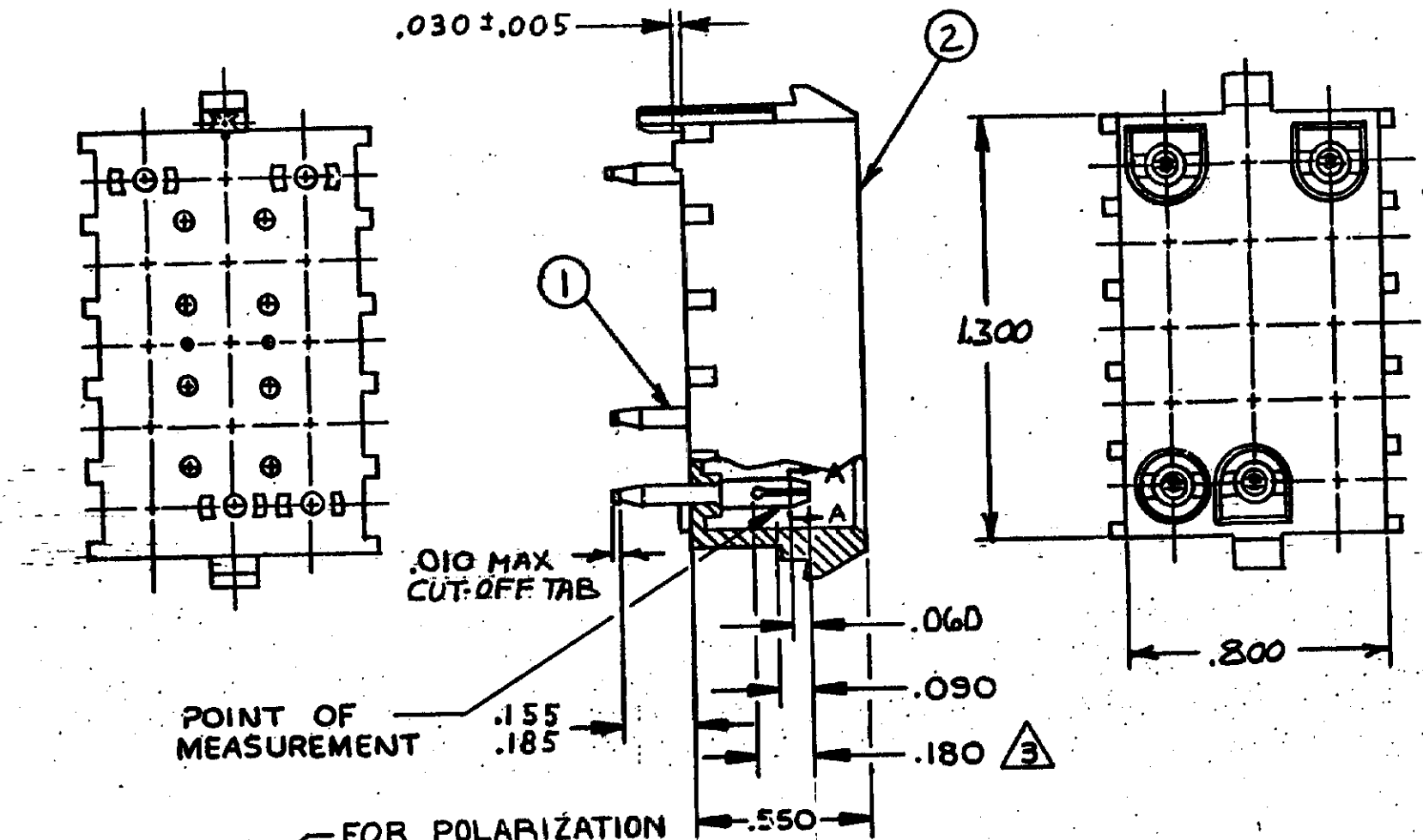


THIS DRAWING IS UNPUBLISHED. RELEASED FOR PUBLICATION 19

© COPYRIGHT 19 BY AMP INCORPORATED, HARRISBURG, PA. ALL INTERNATIONAL RIGHTS RESERVED. AMP PRODUCTS MAY BE COVERED BY U.S. AND FOREIGN PATENTS AND/OR PATENTS PENDING.

REVISIONS					
P	ZONE	LTR	DESCRIPTION	DATE	APPROVED
✓		0	REL NEW DRAWING, TTI 81-101	1/11/83	DAS/2H
✓		A	REV PER ECN M-7384	9/13/83	TEB / SJ
✓		B	REV PER ECN AG 214	1/26/84	MC / KS
✓		B <sub>1</sub>	RESTORATION	6-7-85	KS / SJ
✓		C	ADDED -2 PER TTI CM85-74	9-19-85	CM / RS
✓		D	OBSOLETE -2 PER CM-947	7-14-87	PKC TB
✓		E	REVISE PER CM-1511	2-9-88	PKC RS
✓		F	REVISED PER CM-3328	2-20-91	PKC RS
✓		G	REV PER ECN 0730-3928-92	1-7-93	WJG RS
✓		H	REVISED PER EC 0730-4181-93	7-6-93	LHS RS



SECTION A-A SCALE 10:1

- 1. PARTS COMPLY WITH AMP SOLDERABILITY SPEC. 109-11-3.
- 2. MATES WITH HOUSING No. 480710 USING SOCKET CONTACTS.
- 3. CONTACT IS PLATED OVERALL WITH .000050 NICKEL, THEN .000030 GOLD OVER CONTACT LENGTH INDICATED AND MATTE TIN ON SOLDER TAIL END.

No. PER ASSY	DESCRIPTION	MATERIAL & FINISH	ITEM No.	PART NO
1	HOUSING	NYLON, 94V-2, NATURAL	2	641975-1
15	CONTACT	PHOS BRZ, PRE-TIN	1	

UNLESS OTHERWISE SPECIFIED DIMENSIONS ARE IN INCHES. TOLERANCES ON: DECIMALS ± .015 ANGLES ± .015	CONTRACT NO		<b>AMP</b>   AMP INCORPORATED Harrisburg, Pa.	
	DR	1-11-83		
	CHK	D.S. Heide 2/14/83	NAME	
	APPD	R. C. Quella 2/14/83	HEADER ASSY, PIN, POLARIZED, UNIVERSAL MATE-N-LOK™ 15 CIRCUIT	
MATERIAL	SEE TABLE	DSGN APPD	SIZE	FSCM NO
FINISH	SEE TABLE	OTHER APPD	B	00779
			DRAWING NO	641975
			SCALE 2:1	SHEET

RECOMMENDED LAYOUT FOR .062 THICK R.C. BOARD