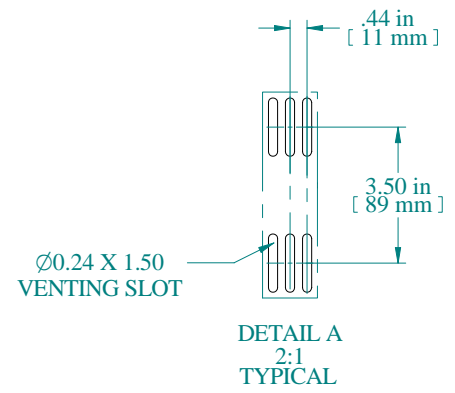
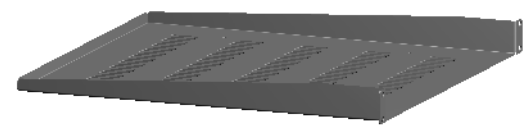
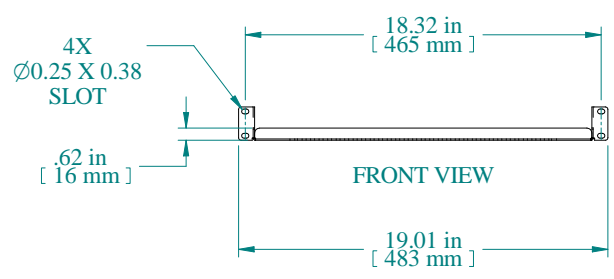


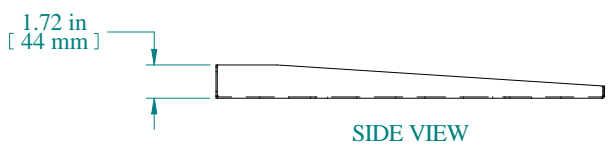
TOP VIEW



DETAIL A
2:1
TYPICAL



FRONT VIEW



SIDE VIEW

PART NUMBERS	
RASV190120BK1	PAINTED BLACK TEXTURED

NOTES
Maximum Weight 40 lb Mounting Hardware not Supplied with Shelf

Data subject to change without notice. Isometric drawing not to scale.

**HAMMOND
MANUFACTURING™**
www.hammondmfg.com
PART NO. RASV190120