

LOC	DIST	REVISIONS					
—	—	P	LTR	DESCRIPTION	DATE	DWN	APVD
			D	WERKSTOFF GEÄNDERT	15.07.97	-	A.ZITZ
			D1	REVISED PER ECO-09-023313	09OCT09	-	AEG
			D2	ECR-10-025774	07JAN11	KK	HMR

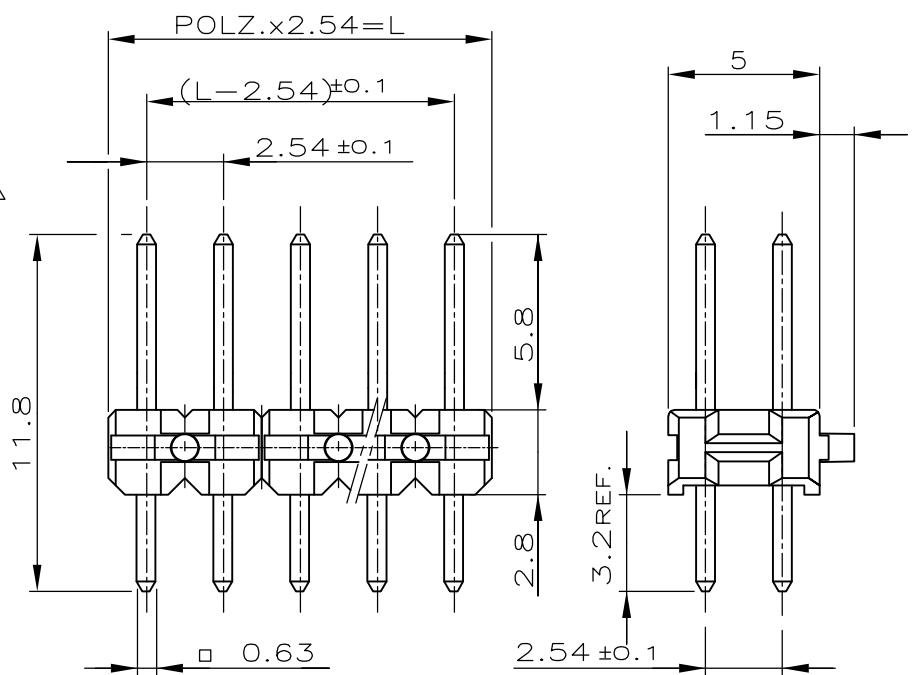
NUMMER 826 320

CAD-ORIGINAL  
ZEICHNUNG NICHT ÄNDERN

VERWENDET FÜR  
WAR NR. —

ZEICHNUNG GÜLTIG AB KW 1.3/96

POLZ PRO REIHE	L±0.5	BESTELL-NR.
—	—	—
2	5.08	<del>826 320 2</del> <sup>2</sup>
3	7.62	<del>3</del> <sup>3</sup> OBSOLETE
4	10.16	<del>4</del> <sup>4</sup> OBSOLETE
5	12.70	<del>5</del> <sup>5</sup>
6	15.24	<del>6</del> <sup>6</sup>
7	17.78	<del>7</del> <sup>7</sup>
8	20.32	<del>8</del> <sup>8</sup> <sup>2</sup>
9	22.86	<del>9</del> <sup>9</sup>
10	25.40	1- -0
11	27.94	1- -1
12	30.48	1- <del>2</del> <sup>3</sup>
13	33.02	1- -3
14	35.56	1- -4
15	38.10	1- -5
16	40.64	1- -6
17	43.18	1- -7
18	45.72	1- -8
19	48.26	1- -9
20	50.80	<del>2</del> <del>0</del> <sup>2</sup>
21	53.34	2- -1
22	55.88	2- -2
23	58.42	2- -3
24	60.96	2- -4
25	63.50	2- -5
26	66.04	2- -6
27	68.58	2- -7
28	71.12	2- -8
29	73.66	2- -9
30	76.20	3- -0
31	78.74	3- -1
32	81.28	3- -2
33	83.82	3- -3
34	86.36	3- -4
35	88.90	3- -5
36	91.44	3- -6
37	93.98	3- -7
38	96.52	3- -8
39	99.06	3- -9
40	101.60	4- -0
41	104.14	4- -1
42	106.68	4- -2
43	109.22	4- -3
44	111.76	4- -4
45	114.30	4- -5
46	116.84	4- -6
47	119.38	4- -7
48	121.92	4- -8
49	124.46	4- -9
50	127.00	<del>5</del> <del>826 320 0</del> <sup>3</sup>



- △1 MIN. 2µm ZINN ÜBER 1.27µm NICKEL
- △2 OBSOLETE PARTS: OBSOLETE CIS STREAMLINING PER D.RENAUD/D.SINISI
- △3 OBSOLETE

KONTAKTSTIFT	Cu Sn	△1
STIFTGEHÄUSE	PBT-GV	GRÜN
BENENNUNG	WERKSTOFF	OBERFLÄCHE
		FARBE

THIS DRAWING IS UNPUBLISHED. ALL RIGHTS RESERVED. RELEASED FOR PUBLICATION

DIMENSIONS: mm	DWN	25.07.77	MATERIAL	FINISH
	CHK	10.08.77	-	
TOLERANCES UNLESS OTHERWISE SPECIFIED:	APVD	-	TE Connectivity	
	PRODUCT SPEC	-		
0 PLC ±0.2 mm	APPLICATION SPEC	-	NAME	
1 PLC ± -			AMPMODU II STIFTLISTE	
2 PLC ± -			ZWEIREIHIG	
3 PLC ± -			SIZE	CAGE CODE
4 PLC ± -			A4	00779
ANGLES ± -	WEIGHT	-	DRAWING NO	RESTRICTED TO
			C-826320	-
CUSTOMER DRAWING			SCALE	SHEET
			4:1	1 OF 1
			REV	D2