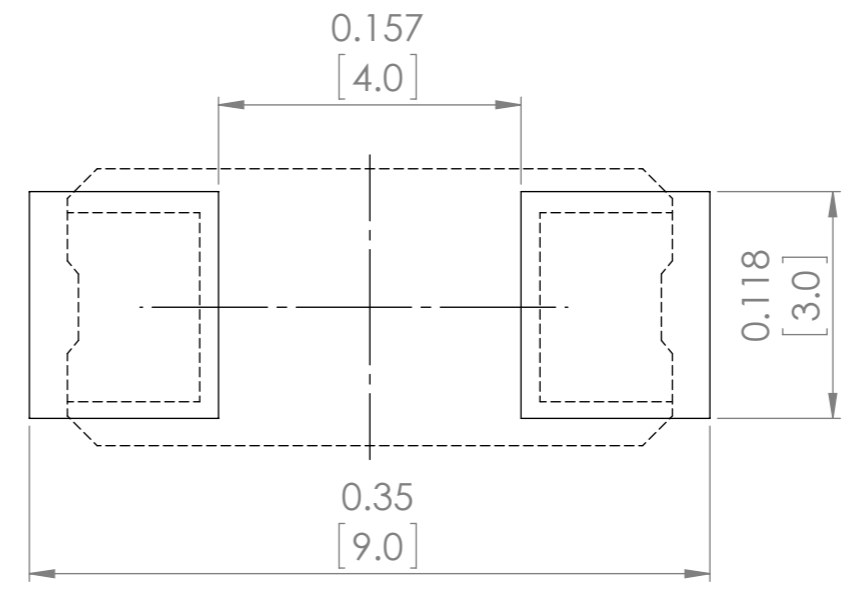
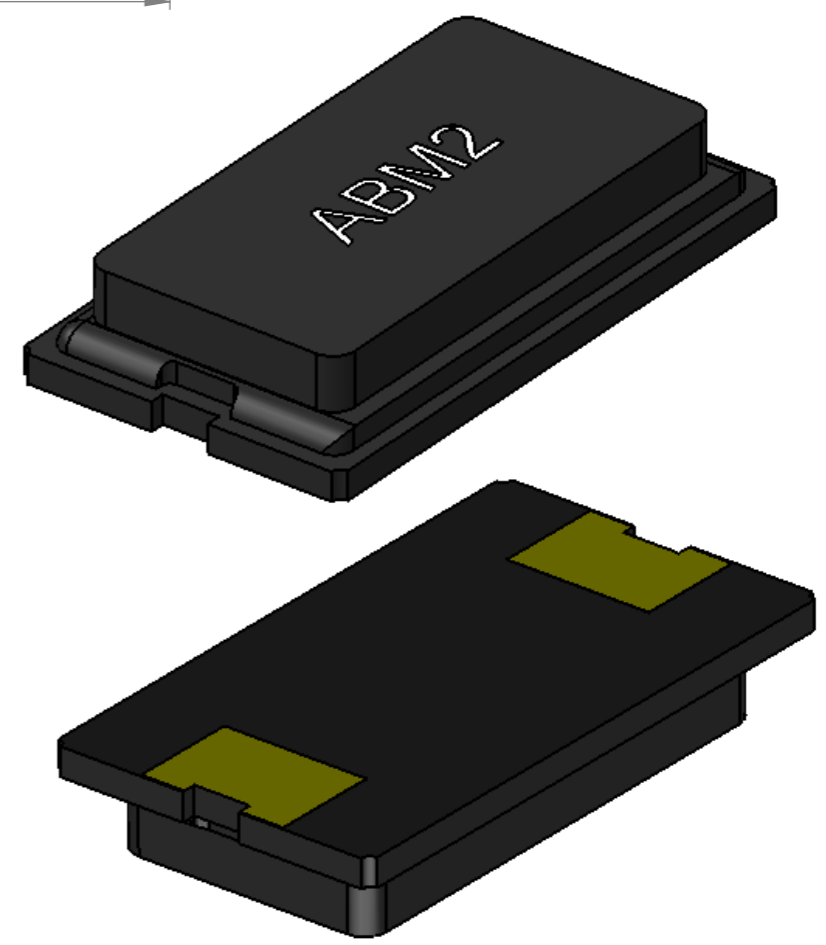
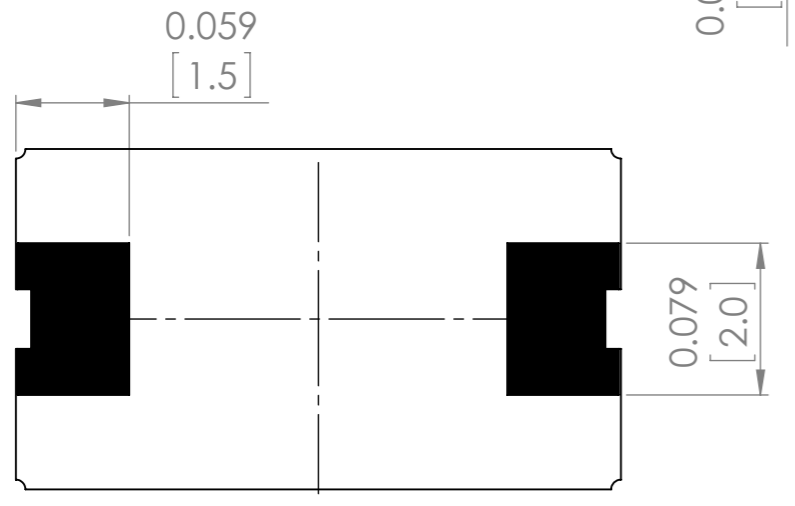
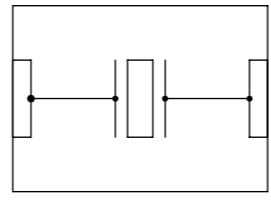


Recommended Land Pattern




Connection



Note: Due to the availability of raw materials, the chamfer may not appear on the both pads. Be advised that this does not affect the electrical characteristics of the crystal in any way.

TOP PACKAGE MARKING IS FOR ILLUSTRATION PURPOSES ONLY

UNLESS OTHERWISE SPECIFIED: DIMENSIONS ARE IN INCH(MM) SURFACE FINISH: TOLERANCES: LINEAR: ANGULAR:				FINISH:		DEBUR AND BREAK SHARP EDGES		DO NOT SCALE DRAWING		REVISION -	
DRAWN SAAZVAT				SIGNATURE		DATE		 30332 Esperanza, Rancho Santa margarita, California 92688			
CHK'D XXXXXX								TITLE: Crystal			
APPV'D								DWG NO. ABM2			
MFG								SCALE:10:1			
Q.A						MATERIAL:		SHEET 1 OF 1			
						WEIGHT:		A3			