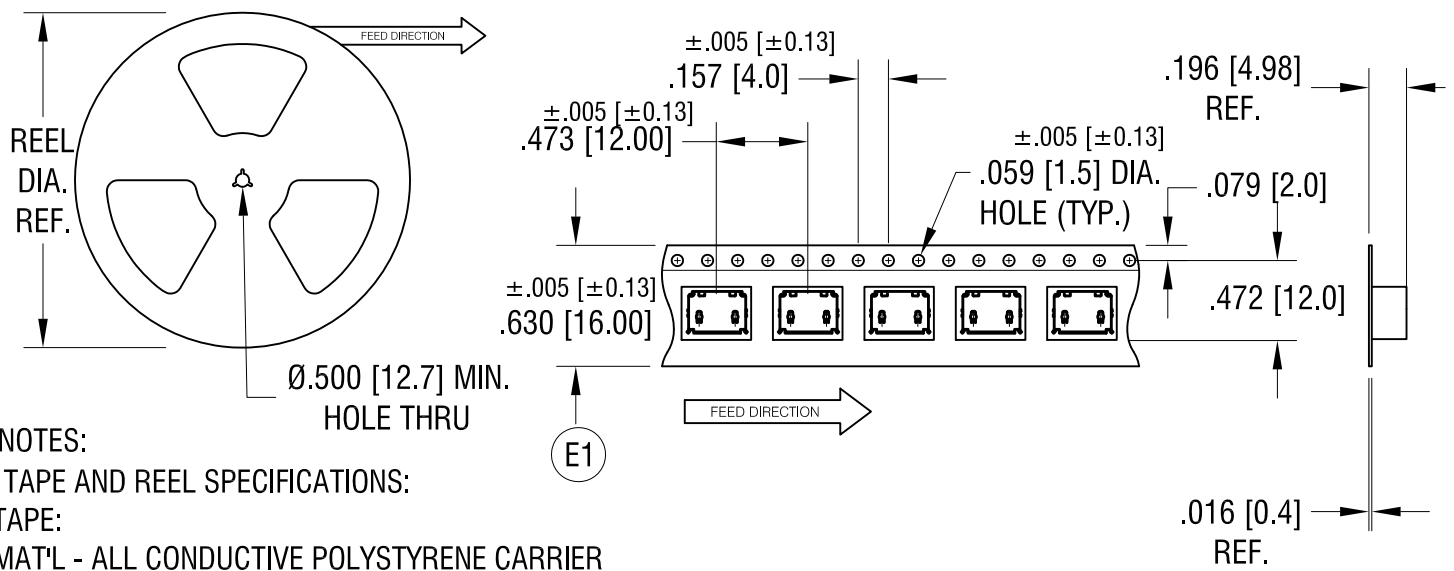
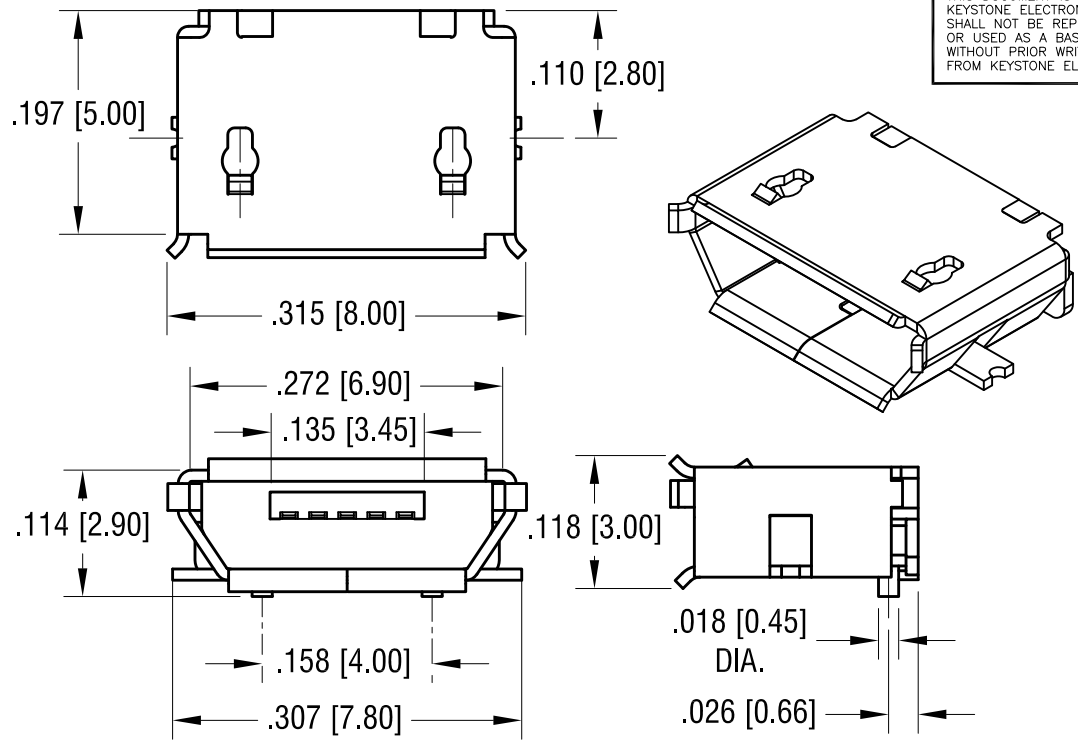


THIS DOCUMENT IS THE PROPERTY OF KEYSTONE ELECTRONICS CORP. AND SHALL NOT BE REPRODUCED, DISTRIBUTED OR USED AS A BASIS FOR MANUFACTURE WITHOUT PRIOR WRITTEN PERMISSION FROM KEYSTONE ELECTRONICS CORP.



NOTES:
 TAPE AND REEL SPECIFICATIONS:
 1. TAPE:
 MAT'L - ALL CONDUCTIVE POLYSTYRENE CARRIER
 ANSI/EIA-481 STANDARD
 2. REEL:
 13.0 [330] DIA. 1000 PIECES OF PART NO. 940 PER REEL

4.04.17	ECN 17-030, (E1) WAS 24mm	E
10.03.12	CHANGE AS PER ECN 12-150	D
9.18.12	CHANGE AS PER ECN 12-147	C
8.12.11	CHANGE AS PER ECN 11-094	B
7.08.10	CHANGE AS PER ECN 10-052	A
DATE	DESCRIPTION	REV.

KEYSTONE ELECTRONICS CORP.
 www.keyelco.com • ASTORIA, N.Y. 11105-2017 • Tel (718) 956-8900

PART NAME: USB MICRO SOCKET ON TAPE

MATERIAL: AS NOTED

FINISH: AS NOTED

DRN BY: NT DATE: 11.19.09

APP'D: LN SCALE: 1X

TOLERANCES INCH [MM]
 DECIMAL ±.015 [±0.38]
 ANGULAR ± 1°
 UNLESS OTHERWISE SPECIFIED

CODE: C DWG NO.: 940TR