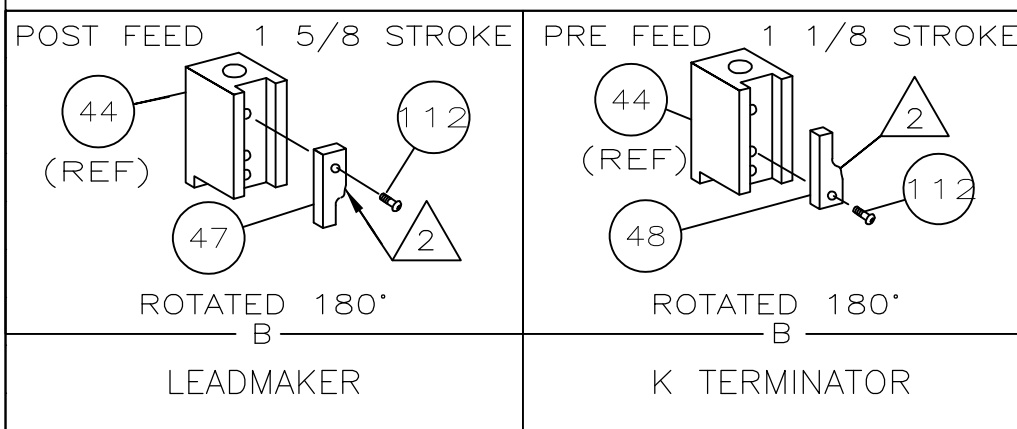
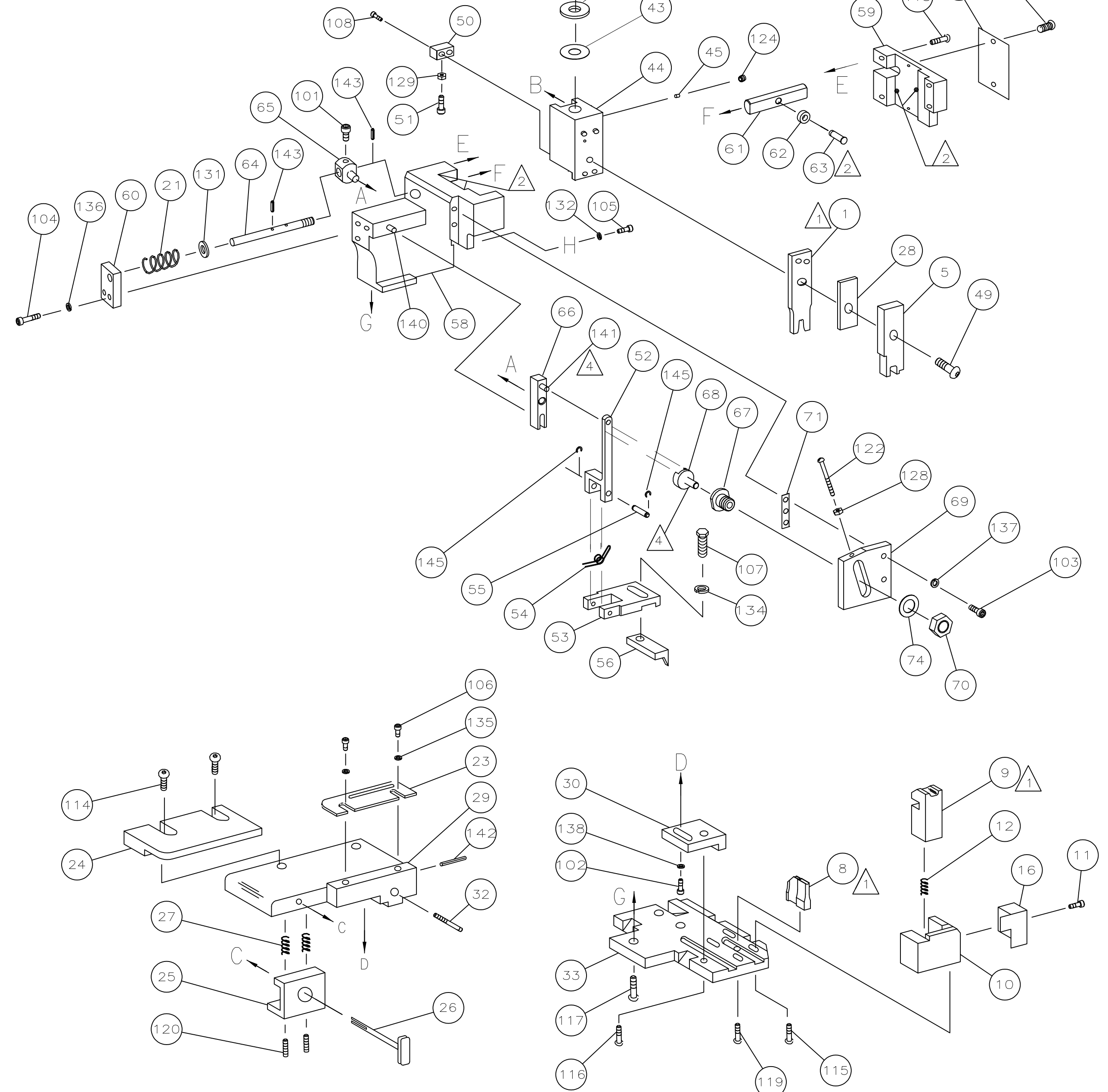
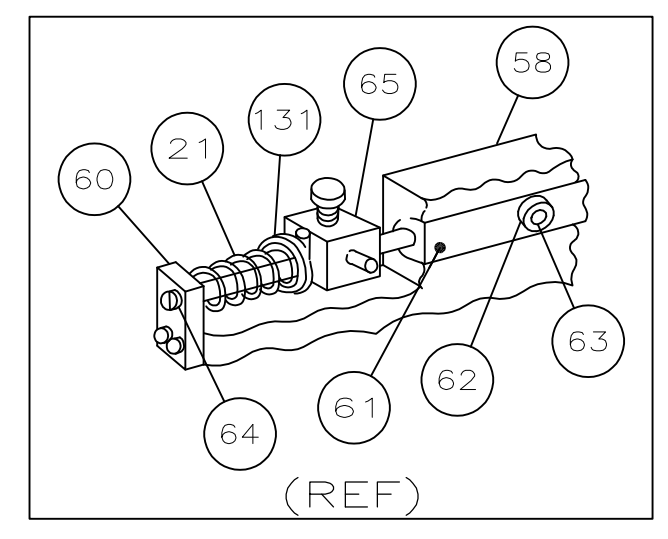
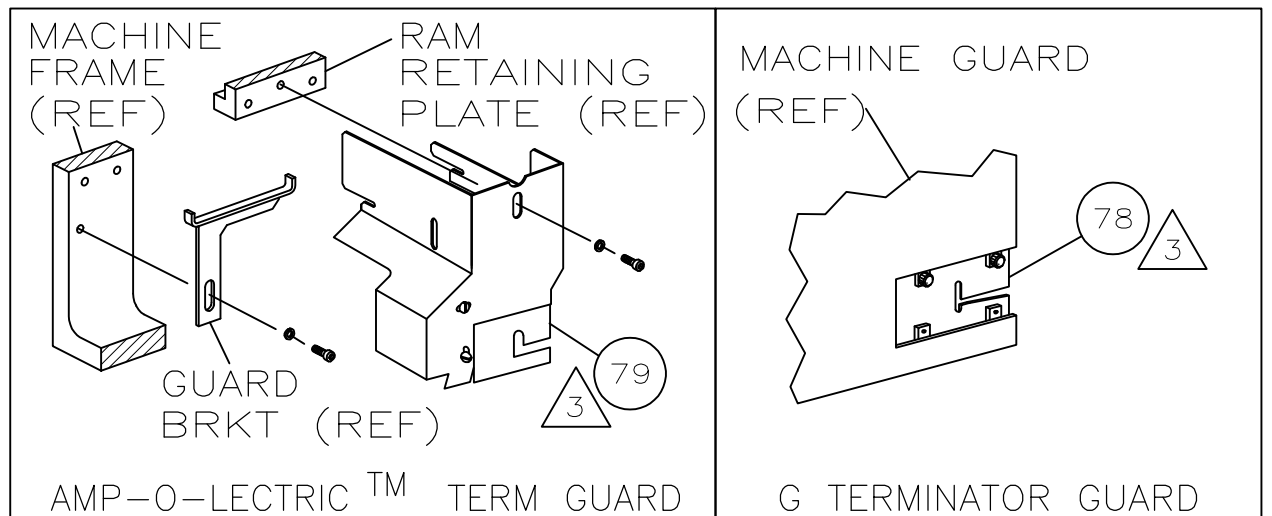


PART NUMBER	REV	FIRST USED
567138-1	E	-
567138-2	E	-



- 1 RECOMMENDED SPARE PARTS.
- 2 GREASE LIGHTLY.
- 3 GUARD MUST BE IN PLACE WHEN OPERATING APPLICATOR IN AMP-O-LECTRIC MACHINE.
- 4 LUBRICATE DAILY USING NO. 20 MACHINE OIL.
- 5. ITEMS WITH QTY OF REF SPECIFIED (EXCEPT ITEM 79) ARE USED ON ITEM 46.

TERMINAL NAME:  
PC CONTACT RECP T .093  
350015-2

TERM APPL SPEC 114-1008

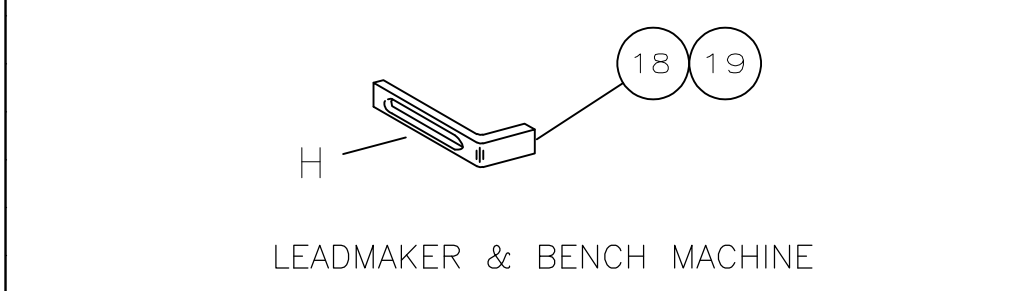
CRIMPING DATA			
PAD LTR	CRIMP HEIGHT	WIRE SIZE	
A	.051 ±.002	18	
B	.046 ±.002	20	
C	.043 ±.002	22	
D	NOT USED	USED	
CRIMP	SIZE	TYPE	RANGE
WIRE	.090	F	22-18
INSUL	-	-	-
FEED	APPL INST	SET UP GAGE	LAYOUT
.405	408-8040	458637-1	-
WIRE STRIP LENGTH	-		

LOC	DIST	REVISIONS			
F	LTR	DESCRIPTION	DATE	DRN	APVO
A	66				
E		ECR-07-014585	6-2007	MY	GB

-1	LEADMAKER	MECH-POST FEED
-2	AMP-O-LECTRIC	MECH-PRE FEED

REF	REF	-	21045-3	RING,RET "C"(Ø.187)FD FING PIN	145
					144
REF	REF	-	5-21028-1	PIN,SLT SPR(Ø.125x.50)ADJ ROD	143
1	1	-	4-21028-0	PIN,SLT SPR(Ø.093x.75)ST GDE PL	142
REF	REF	-	1-21030-1	PIN,DOWEL(Ø.187x.50)LEVER	141
REF	REF	-	1-21030-6	PIN,DOWEL(Ø.187x1.25)HOUSING	140
					139
1	1	-	21024-5	WASHER, LOCK(#10)ADJ BLOCK	138
REF	REF	-	21024-5	WASHER,LOCK(#10)ADJ PLATE	137
REF	REF	-	21024-5	WASHER,LOCK(#10)FEED GDE ROD	136
2	2	-	21024-2	WASHER,LOCK(#4)FRONT STP GUIDE	135
1	1	-	21024-4	WASHER,LOCK(#8)FEED FINGER	134
					133
1	1	-	21024-4	WASHER,LOCK(#8)STRIPPER	132
REF	REF	-	21899-4	WASHER,FLAT(Ø5/16)SCREW ADJ	131
					130
1	1	-	21018-5	NUT,HEX(NO.6)HOLDDOWN	129
REF	REF	-	21018-5	NUT,HEX(6-32)FEED ADJ	128
					127
					126
					125
1	1	-	21009-2	SCR,SKT SET(1/4-20x.25 LW)RAM	124
					123
REF	REF	-	6-23715-5	SCR,PAN HD(6-32x1.50)FEED ADJ	122
					121
2	2	-	5-21006-6	SCR,BHC(10-32x.75)DRAG	120
1	1	-	22733-8	SCR,BHC(8-32x.38 LW)ANVIL	119
REF	REF	-	2-21002-9	SCR,BHC(10-32x.75)CAP	118
REF	REF	-	17177-1	SCR,BHC(1/4-20x.62)HOUSING	117
REF	REF	-	2-21002-7	SCR,BHC(10-32x.50)SG ADJ BLOCK	116
2	2	-	2-21002-2	SCR,BHC(8-32x.50)SHEAR	115
2	2	-	2-21002-2	SCR,BHC(8-32x.50)R STRIP GUIDE	114
					113
1	1	-	1-21002-7	SCR,BHC(6-32x.38)CAM	112
					111
1	1	-	23030-1	SCR,SKT CAP(6-32x.25)CP DSC	110
					109
2	2	-	2-21000-7	SCR,SHC(8-32x.46)DEPRESSOR	108
1	1	-	2-22603-0	SCR,HEX HD(8-32x.31)FEED FINGER	107
2	2	-	1-21000-3	SCR,SHC(4-40x.25)F ST GUIDE	106
1	1	-	2-21000-7	SCR,SHC(8-32x.50)STRIPPER	105
REF	REF	-	3-21000-7	SCR,SHC(10-32x.75)FEED ROD GD	104
REF	REF	-	3-21000-6	SCR,SHC(10-32x.62)FD ADJ BLK	103
1	1	-	3-21000-4	SCR,SHC(10-32x.38)SG ADJ BL	102
REF	REF	-	3-21000-4	SCR,SHC(10-32x.38)PIVOT BLK	101
REF	-	-	455749-1	GUARD, WINDOW	79
-	REF	-	455755-1	GUARD, ASSY	78
					77
2	2	-	21017-2	SCR,DRIVE(#2x.19)ID PLATE	76
1	1	-	461264-1	PLATE, IDENTIFICATION	75
REF	REF	-	458109-1	WASHER, SPECIAL	74
					73
1	1	-	690603-1	SPRING, ASSIST	72
REF	REF	-	690517-1	SPACER	71
-2	-1	U/M	PART NO	DESCRIPTION	ITEM NO
QTY REQD PER ASSY					

REF	REF	-	22594-8	NUT,HEX(1/2-20)	70
REF	REF	-	240628-1	PLATE, ADJUSTMENT	69
REF	REF	-	240626-1	SHAFT, PIVOT	68
REF	REF	-	240633-1	BUSHING	67
REF	REF	-	455680-1	LEVER, INTERMEDIATE	66
REF	REF	-	240629-1	BLOCK, PIVOT	65
REF	REF	-	240632-2	SCREW, ADJ FEED ROD	64
REF	REF	-	240659-3	PIN, CAM ROLLER	63
REF	REF	-	240658-1	ROLLER, CAM	62
REF	REF	-	454398-2	ROD, FEED	61
REF	REF	-	454178-1	GUIDE, FEED ROD	60
REF	REF	-	454220-1	CAP, RAM	59
REF	REF	-	454485-1	HOUSING	58
					57
1	1	-	458537-2	PAWL, FEED	56
REF	REF	-	240624-1	PIN, FEED FINGER	55
REF	REF	-	691499-1	SPRING, FEED FINGER	54
REF	REF	-	690541-1	HOLDER, FEED FINGER	53
REF	REF	-	455679-1	LEVER, TERMINAL FEED ARM	52
1	1	-	811242-2	BUMPER, HOLDDOWN	51
1	1	-	690753-1	SPACER, TONKER	50
1	1	-	7-21002-9	BOLT, CRIMPER(5/16x1.00)	49
1	-	-	690602-5	CAM, PRE-FEED 1 1/8 ST	48
-	1	-	690501-4	CAM, POST-FEED 1 5/8 ST	47
1	1	-	459456-1	APPLICATOR, BASIC (SUBASSY)	46
1	1	-	690191-1	PLUG, NYLON	45
1	1	-	455673-1	RAM	44
1	1	-	690125-1	WASHER, LAMINATED	43
1	1	-	690124-1	WASHER, RAM	42
1	1	-	690223-1	DISC, SPACER	41
1	1	-	23241-6	BALL, STEEL	40
1	1	-	690170-1	SPRING, COMPRESSION	39
					38
1	1	-	692155-6	DISC, WIRE	37
1	1	-	22480-5	WASHER, SPRING	36
1	1	-	690212-1	POST, RAM	35
					34
REF	REF	-	455675-1	PLATE, BASE	33
1	1	-	690432-3	SCREW, ADJUSTMENT	32
					31
REF	REF	-	455689-1	BLOCK, STRIP GUIDE ADJ	30
1	1	-	455671-1	PLATE, STRIP GUIDE	29
1	1	-	2-455888-7	SPACER, FRONT SHEAR DEP	28
2	2	-	1-22284-0	SPRING, DRAG	27
1	1	-	690546-1	LEVER, DRAG RELEASE	26
1	1	-	240792-1	DRAG, TERMINAL	25
1	1	-	6-690440-4	GUIDE, STRIP (REAR)	24
1	1	-	690438-1	GUIDE, STRIP (FRONT)	23
					22
REF	REF	-	4-22284-9	SPRING, FEED RETURN	21
					20
-	1	-	690472-2	STRIPPER	19
1	-	-	691353-1	STRIPPER	18
					17
1	1	-	691667-1	GUARD, CHIP (FRONT)	16
					15
					14
					13
1	1	-	3-22280-3	SPRING, SHEAR	12
1	1	-	690461-1	STOP, SHEAR	11
1	1	-	690459-1	HOLDER, SHEAR (FRONT)	10
1	1	-	454276-1	SHEAR, FLOAT (FRONT)	9
1	1	-	1-683403-0	ANVIL	8
					7
					6
1	1	-	455889-9	DEPRESSOR, SHEAR (FRONT)	5
					4
					3
					2
1	1	-	1-456404-8	CRIMPER, WIRE	1
-2	-1	U/M	PART NO	DESCRIPTION	ITEM NO
QTY REQD PER ASSY					



THIS DRAWING IS A CONTROLLED DOCUMENT.

DRN: M. YOUNGER 19JUN2007  
CHK: G. BAILEY  
APPD: G. BAILEY  
NAME: G. BAILEY

Tyco Electronics Corporation  
Harrisburg, PA 17105-3608

MINIATURE QUICK CHANGE APPLICATOR  
SIDE FEED (.093 DIA RECEPTACLE)

SIZE: A1  
CAGE CODE: 00779  
DRAWING NO: 567138

CUSTOMER DRAWING

SCALE: - SHEET: 1 OF 1 REV: E