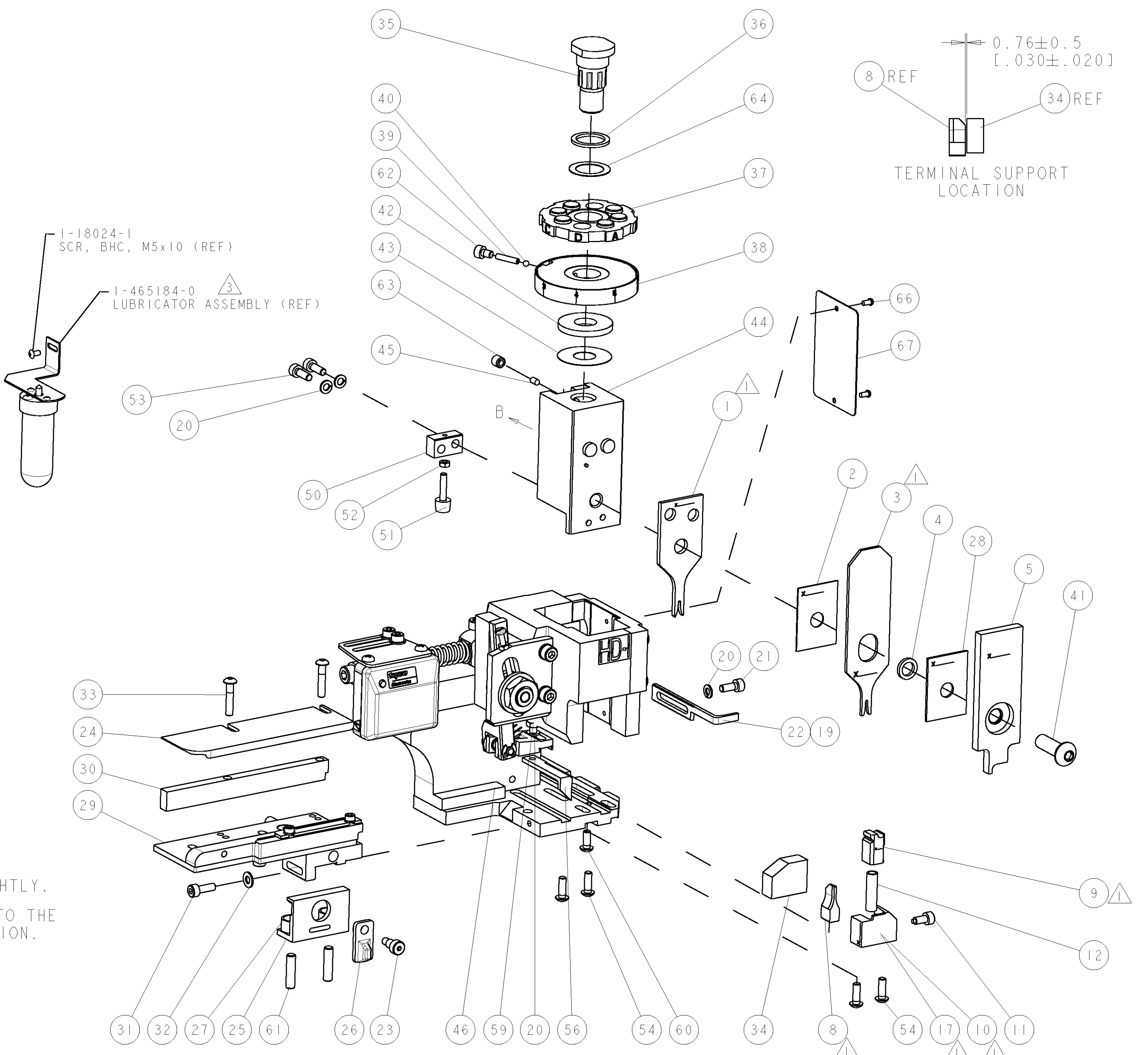
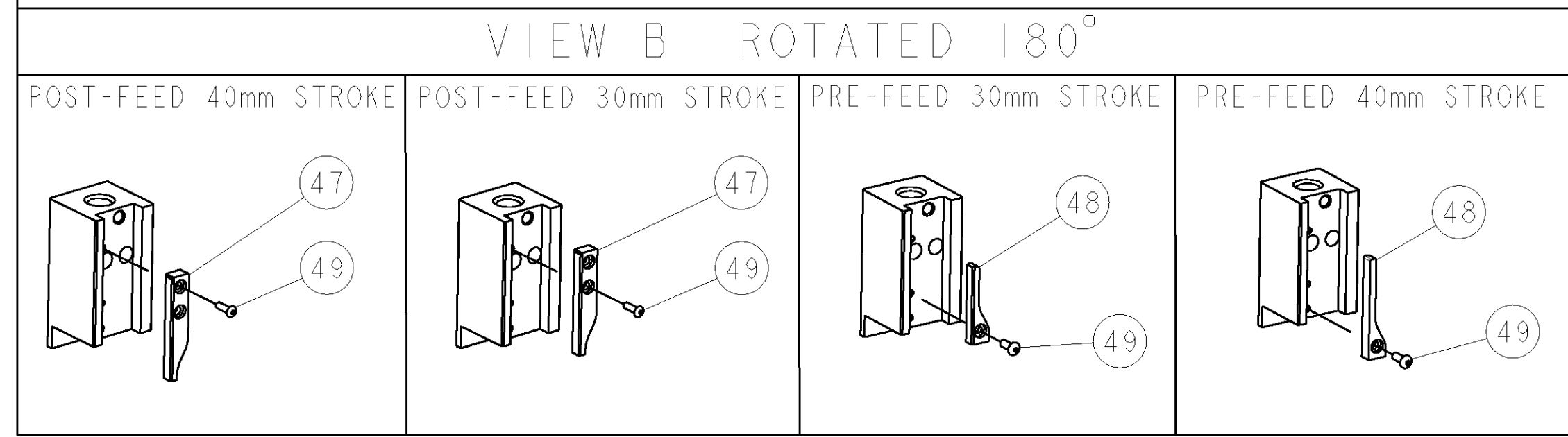


PART NUMBER	REV	TERMINATOR	FEED TYPE	DESCRIPTION
1426685-1	A	LEADMAKER	MECH POST FEED	CUTS CARRIER
1426685-2	A	BENCH	MECH PRE FEED	CUTS CARRIER
1426685-6	A	LEADMAKER	MECH POST FEED	CONTINUOUS CARRIER
7-1426685-1	A	LEADMAKER	MECH POST FEED	-1 AND SPARE PARTS
7-1426685-2	A	BENCH	MECH PRE FEED	-2 AND SPARE PARTS
7-1426685-6	A	LEADMAKER	MECH POST FEED	-6 AND SPARE PARTS
7-1426685-7	A	-	-	SPARE PARTS KIT

CRIMP DATA		TE TERMINAL	TE CRIMP SPECS
TERMINAL NAME: CONTACT, MINI TANDEM SPRING			
CRIMP	SIZE	TYPE	RANGE
WIRE	1.07 [1.042 IN]	F	26-22 AWG
INSUL	1.40 [1.055 IN]	O	0.91-1.37 [1.036-.054 IN]
WIRE STRIP LENGTH 3.18-3.96 [1.25-.156 IN]		APPL INSTRUCTIONS 408-8322	
TERMINAL APPL SPEC 114-25021		FEED 7.62 [1.300 IN]	
TERMINALS APPLIED			
531216	5530553	-	-
531224	5531224	-	-
530553	-	-	-
1443234	-	-	-
5531216	-	-	-
WIRE SIZE	CRIMP HEIGHT	PINPN & LENGTH [IN]	
22AWG	0.91 ± 0.05 [1.036 ± 0.002 IN]	354779-8 [1.3030]	
24AWG	0.81 ± 0.05 [1.032 ± 0.002 IN]	1-354779-6 [1.3070]	
26AWG	0.76 ± 0.05 [1.030 ± 0.002 IN]	2-354779-0 [1.3090]	

- RECOMMENDED SPARE PARTS.
- GREASE RAM, CAM, CAM FOLLOWER AND FEED ROD LIGHTLY.
- CERTAIN TERMINALS REQUIRE LUBRICATION. REFER TO THE APPLICATOR INSTRUCTION SHEET FOR MORE INFORMATION.
- LUBRICATE DAILY PER THE APPLICATOR INSTRUCTION SHEET SUPPLIED WITH THE APPLICATOR.



SET UP GAGE 458637-3		LOC	DIST	REVISIONS				
P	LTR	DESCRIPTION	DATE	DWN	APVD			
A		ECO-08-026004	200208	MB	MC			
-	-	-	-	-	-	-	73	
-	-	-	-	-	-	-	72	
-	1	1	1	1	1	1338705-1	DOCUMENTATION PACKAGE	
-	-	-	-	-	-	-	70	
-	-	-	-	-	-	-	69	
-	-	-	-	-	-	-	68	
-	1	1	1	1	1	461264-1	PLATE, IDENTIFICATION	
-	2	2	2	2	2	21017-2	SCREW, DRIVE	
-	-	-	-	-	-	-	65	
-	1	1	1	1	1	986950-1	WASHER, FLAT PRECISION	
-	1	1	1	1	1	3-18031-0	SCR, SET, CUP POINT M6 X 6.0	
-	1	1	1	1	1	18023-9	SCR, SKT HD CAP M4 X 6.0	
-	2	2	2	2	2	2-18032-5	SCR, SET, FLT POINT M5 X 20.0	
-	1	1	1	1	1	18024-7	SCR, BTN SKT HD CAP (M4 X 10.0)	
-	1	1	1	1	1	5-18022-2	SCR, HEX HD CAP M4 X 8.0	
-	-	-	-	-	-	-	58	
-	-	-	-	-	-	-	57	
-	1	1	1	1	1	1338685-1	PAWL, FEED	
-	-	-	-	-	-	-	55	
-	4	4	4	4	4	18024-8	SCR, BTN SKT HD CAP (M4 X 12.0)	
-	2	2	2	2	2	1-18023-2	SCR, SKT HD CAP M4 X 12.0	
-	1	1	1	1	1	18030-1	NUT, HEX, REG M3	
-	1	1	1	1	1	811242-5	BUMPER, HOLD DOWN	
-	1	1	1	1	1	690753-2	SPACER, TONKER	
-	1	1	1	1	1	18024-3	SCR, BTN SKT HD CAP (M3 X 10.0)	
-	1	1	1	1	1	1338675-1	CAM, UNIVERSAL PRE FEED	
-	1	1	1	1	1	1338676-1	CAM, UNIVERSAL POST-FEED	
-	1	1	1	1	1	1320999-3	APPLICATOR SUBASSEMBLY, HDI	
-	1	1	1	1	1	690191-1	PLUG, NYLON	
-	1	1	1	1	1	1338660-1	RAM	
-	1	1	1	1	1	690125-1	SHIM SUB-ASSY	
-	1	1	1	1	1	690124-4	WASHER, RAM (.135)	
-	1	1	1	1	1	2-18024-6	SCR, BTN SKT HD CAP (M8 X 25.0)	
-	1	1	1	1	1	23241-1	BALL, STEEL	
-	1	1	1	1	1	2-22278-7	SPRING, COMPRESSION	
-	1	1	1	1	1	1320922-1	DISC, ADJUST, INSULATION CRIMP	
-	1	1	1	1	1	354777-1	WIRE DISC, ASSEMBLY	
-	1	1	1	1	1	22480-5	SPRING, COMPRESSION	
-	1	1	1	1	1	690212-1	POST, RAM	
-	1	1	1	1	1	1320934-1	SUPPORT, TERMINAL	
-	2	2	2	2	2	1-18024-0	SCR, BTN SKT HD CAP (M4 X 20.0)	
-	1	1	1	1	1	18027-2	WASHER, FLAT, REG M4	
-	1	1	1	1	1	1-18023-2	SCR, SKT HD CAP M4 X 12.0	
-	1	1	1	1	1	1-1320908-7	SPACER, STRIP GUIDE	
-	1	1	1	1	1	1633073-1	STRIP GUIDE ASSEMBLY	
-	1	1	1	1	1	1-455888-0	SPACER, CRIMPER	
-	2	2	2	2	2	1-22284-0	SPRING, COMPRESSION	
-	1	1	1	1	1	356835-1	LEVER, DRAG RELEASE	
-	1	1	1	1	1	240792-1	DRAG, TERMINAL	
-	1	1	1	1	1	1320928-1	PLATE, STRIP GUIDE	
-	1	1	1	1	1	980371-4	SCR, SKT HD SHLDR 5.0 DIA X 6.0	
-	1	1	1	1	1	690472-2	STRIPPER	
-	1	1	1	1	1	1-18023-1	SCR, SKT HD CAP M4 X 10.0	
-	4	4	4	4	4	18025-2	WASHER, SPRG LOCK, REG M4	
-	1	1	1	1	1	690472-1	STRIPPER	
-	-	-	-	-	-	-	18	
-	1	1	1	1	1	1338684-1	SHEAR HOLDER, FRONT	
-	-	-	-	-	-	-	16	
-	-	-	-	-	-	-	15	
-	-	-	-	-	-	-	14	
-	-	-	-	-	-	-	13	
-	1	1	1	1	1	3-22280-3	SPRING, COMPRESSION	
-	1	1	1	1	1	356885-4	STOP, SHEAR	
-	1	1	1	1	1	1320921-1	SHEAR HOLDER, FRONT, CUT	
-	1	1	1	1	1	462006-1	FLOATING SHEAR, FRONT	
-	1	2	2	2	2	7-1633139-0	ANVIL, COMBINATION	
-	-	-	-	-	-	-	7	
-	-	-	-	-	-	-	6	
-	1	1	1	1	1	455889-9	DEPRESSOR, SHEAR	
-	1	1	1	1	1	238011-6	BLOCK, CRIMPER SPACER	
-	1	2	2	2	2	3-683454-4	CRIMPER, INSULATION O	
-	1	1	1	1	1	455888-5	SPACER, CRIMPER	
-	1	2	2	2	2	456401-3	CRIMPER, WIRE PREMIUM	
-	-	-	-	-	-	-	1	
-	-	-	-	-	-	-	84	
-	-	-	-	-	-	-	83	
-	-	-	-	-	-	-	82	
-	-	-	-	-	-	-	81	
-	-	-	-	-	-	-	80	
-	-	-	-	-	-	-	79	
-	-	-	-	-	-	-	78	
-	-	-	-	-	-	-	77	
-	-	-	-	-	-	-	76	
-	-	-	-	-	-	-	75	
-	-	-	-	-	-	-	74	
-77	-76	-72	-71	-6	-2	-1	PART NO	
							DESCRIPTION	ITEM NO