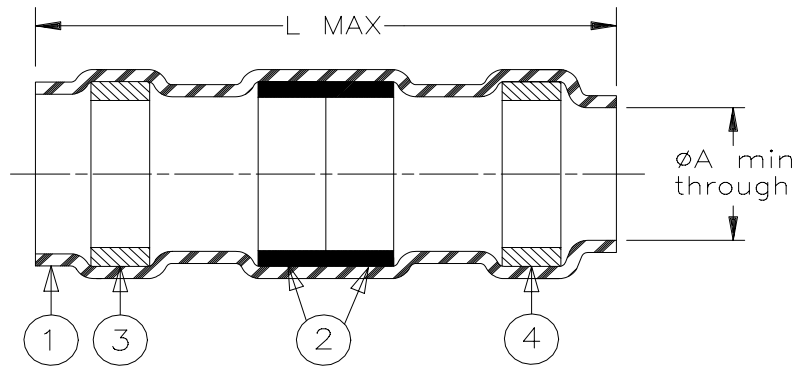


SPECIFICATION CONTROL DRAWING



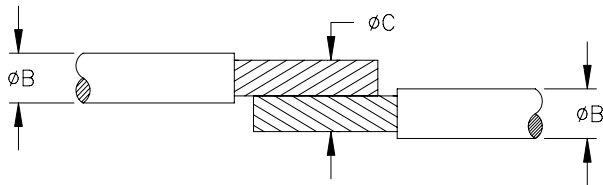
| Product Revisions | Size Code | Color | Product Dimensions | | Selection Guide | | | | Wire Dimensions | | | |
|-------------------|-----------|--------|--------------------|-----------------|-----------------|-------------------------|--------------|-----------------------|-----------------|----------------|----------------|-----|
| | | | A min | L max | Wire Gauge AWG | Section mm ² | Total CMA | Total mm ² | B min | B max | C min | |
| Part Name | | | | | min | max | min | max | min | max | min | max |
| B-008-11 | C | Clear | 1.7 (0.065) | 26.0 (1.025) | 2x26 2x24 | 2x0.15 2x0.4 | 450 1500 | 0.2 0.75 | 0.76 (0.03) | 1.5 (0.06) | 1.0 (0.039) | |
| B-008-13 | A | Red | 2.3 (0.090) | 31.0 (1.220) | 2x22 2x18 | 2x0.4 2x1 | 1250 4000 | 0.6 2.0 | 1.5 (0.060) | 2.3 (0.090) | 1.8 (0.070) | |
| B-008-14 | A | Blue | 4.3 (0.170) | 36.0 (1.420) | 2x18 2x12 | 2x1 2x2.5 | 3600 5000 | 1.8 2.5 | 2.0 (0.080) | 4.3 (0.170) | 2.3 (0.090) | |
| B-008-15 | B | Yellow | 6.8 (0.268) | 42.0 (1.660) | 2x12 2x10 | 2x3 2x5 | 4800 9000 | 2.4 4.5 | 3.4 (0.135) | 6.8 (0.270) | 3.7 (0.145) | |

MATERIAL

- INSULATION SLEEVE: Heat-shrinkable, radiation cross-linked modified polyolefin. Transparent grey.
- SOLDER PREFORMS WITH FLUX: (Qty. 2 except for B-008-11 Qty. 1).
SOLDER: TYPE Cd18 per ANSI J-STD-006.
FLUX: TYPE ROL1 per ANSI J-STD-004.
- & 4. MELTABLE RINGS: Thermally stabilized thermoplastic. Color: See Size Code.

APPLICATION

- These controlled soldering devices are designed to splice tin plated or bare copper wires rated for at least +85°C.
- Temperature range: -55°C to +125°C.
- Splices will meet performance requirements of Raychem Specification D-5023 when installed per RPIP 850-00.



STRIP LENGTH: 12.5 (.5)

*A trademark of Raychem Corporation.

| | | | | | | | |
|---|--|------------------------------------|--|---|--|---|--|
| Raychem | | THERMOFIT DEVICES | | Raychem Corporation 300 Constitution Drive Menlo Park, CA 94025 USA | | TITLE: SOLDERSLEEVE* WIRE TO WIRE SPLICE, LOW TEMPERATURE | |
| UNLESS OTHERWISE SPECIFIED DIMENSIONS ARE IN MILLIMETERS. INCHES DIMENSIONS ARE IN BETWEEN BRACKETS. | | | | | | DOCUMENT NO.: B-008-1X | |
| TOLERANCES: 0.00 N/A 0.0 N/A 0 N/A | | ANGLES: N/A ROUGHNESS IN MICRON | | Raychem reserves the right to amend this drawing at any time. Users should evaluate the suitability of the product for their application. | | DCR NUMBER: D981171 | |
| REPLACES: D961365 | | DRAWN BY: R. MAPALO | | DATE: 06-29-98 | | REV.: SEE TABLE | |
| DOC ISSUE: 4 | | SCALE: NONE | | SIZE: A | | SHEET: 1 of 1 | |

If this document is printed it becomes uncontrolled. Check for the latest revision.