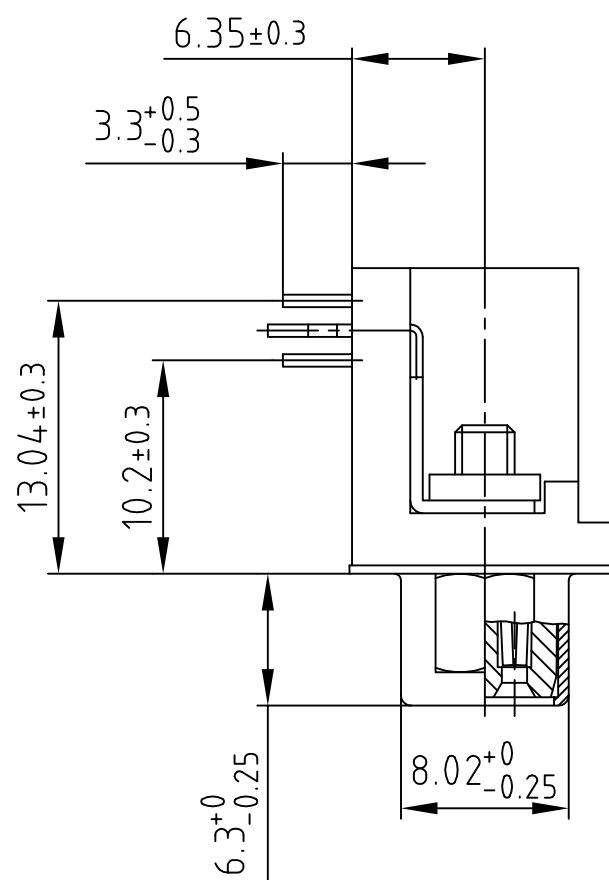
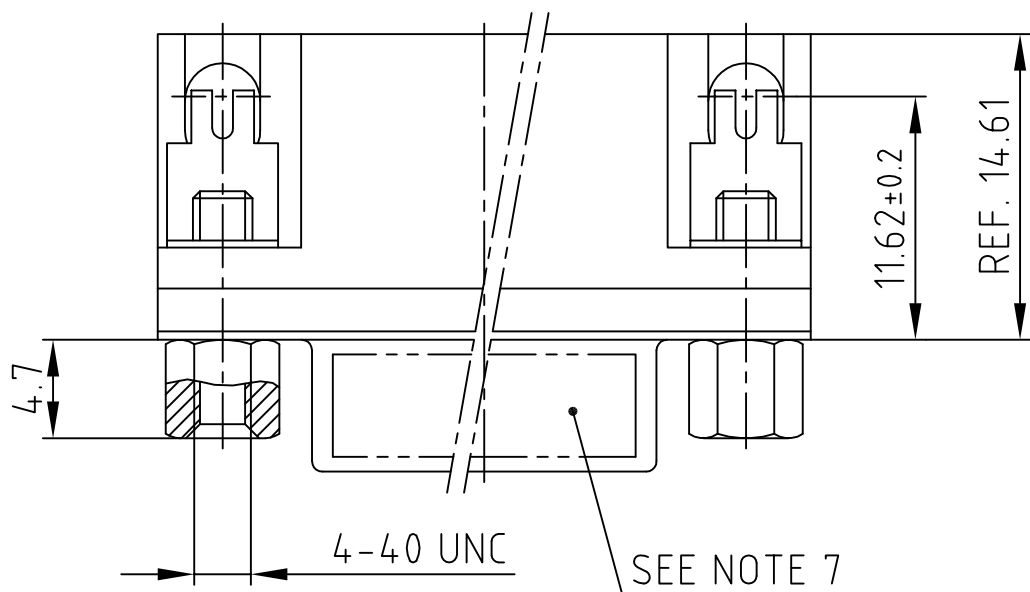
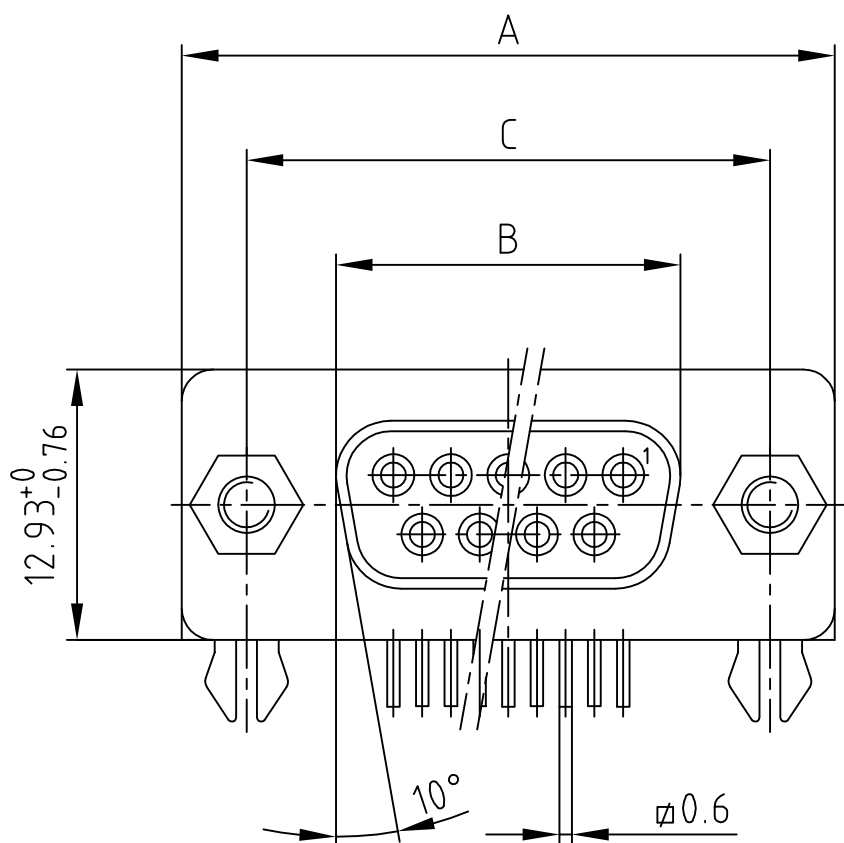


used for: D-SUB

POS.	A -0.76	B -0.25	C	Part NO.
9	31.19	16.46	25.00 <sup>+0.12</sup> / <sub>-0.13</sub>	302A10779X
15	39.52	24.79	33.30 <sup>+0.15</sup> / <sub>-0.1</sub>	302A10789X
25	53.42	38.50	47.04 ±0.13	302A10799X
37	69.70	54.96	63.50 ±0.13	302A10809X



NOTES:

1. METALSHELLS: STEEL; min. 320µin TIN
2. INSULATORS: PBT GF UL 94 V-0; BLACK
3. CONTACTS: COPPER ALLOY  
PLATING: 8µin HARD GOLD over min. 50µin NICKEL
4. PCB-SNAP: COPPER ALLOY; min. 200µin TIN over 80µin NICKEL  
PCB-HOLE:  $\phi 3.1 \pm 0.1$ ; PCB THICKNESS 1.6mm
5. P.C.B. HOLE DRILLINGS ON DRAWING NO.: 16K111UA
6. MAXIMUM TORQUE VALUE FOR THREAD: 6 in.LB
7. CONNECTOR IS PART MARKED: PART-NO. CONEC ABC

Directive 2002/95/EC RoHS compliant

APPROVAL # FREIGABE # DEBLOCAGE # AUTORIZACION # APPROVAL	
CUSTOMER APPROVAL DATE:	
NAME:	TITLE:
COMPANY NAME:	
APPROVAL # FREIGABE # DEBLOCAGE # AUTORIZACION # APPROVAL	

THIS DRAWING MAY NOT BE COPIED OR REPRODUCED IN ANY WAY, AND MAY NOT BE PASSED ON TO A THIRD PARTY WITHOUT WRITTEN PERMISSION.  
 OWNERSHIP AND COPYRIGHT OF CONEC GmbH  
 DO NOT ALTER CAD DRAWING BY HAND

				tolerance		 dim. in mm	scale: 2:1
							material: SEE NOTES
				2004	date	name	title: D-SUB FEMALE 90° 9-37pos. stamped contacts with threaded lock and clip
				drawn	04.05.	Schmidt	
				appd.	04.05.	Mickenbecker	
				norm			
				d-old			dwg no: AutoCAD 2004
a	Origin						DIN-A 4
rev.	description	date	name				sh: 1/1
							part no: SEE TABLE

