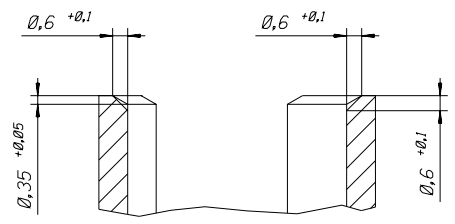
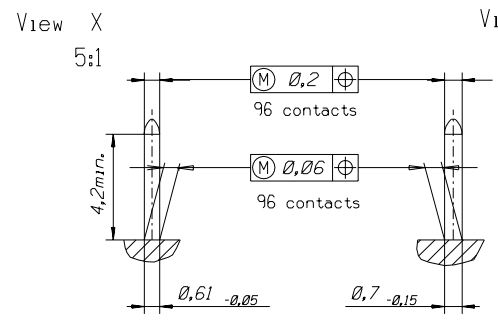
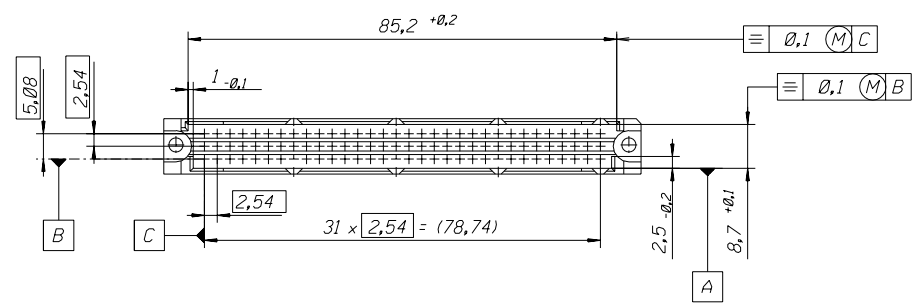
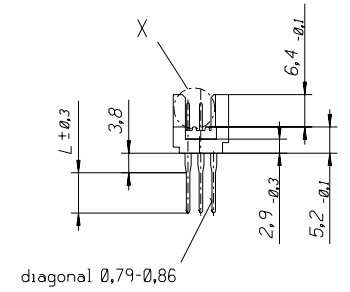
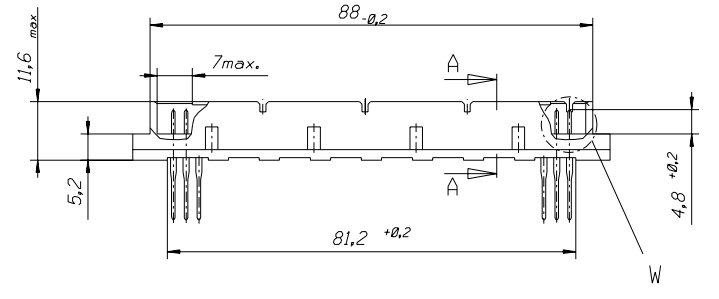
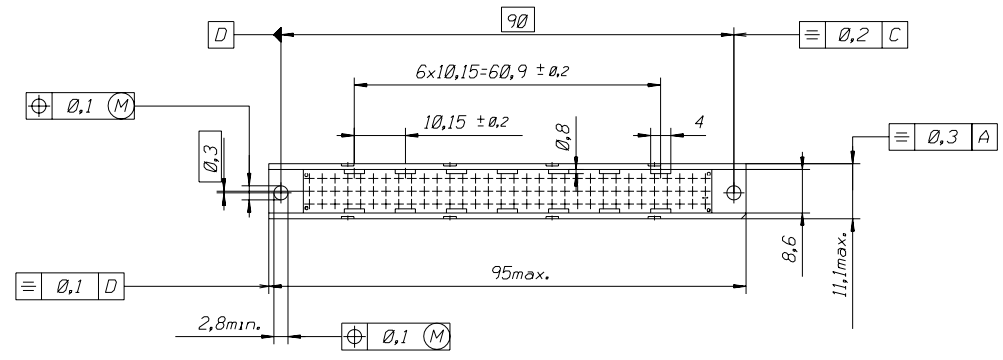


PART NO.  
DWG. NO.



section A-A  
5:1



View X  
5:1

View W  
5:1

FIRST ANGLE PROJECTION REVISE ONLY ON CAD SYSTEM SH. REV.

ECN MC2003-0052  
WM RELEASE 02-08-15 EF  
LTR REVISIONS  
FOR PREVIOUS REVISIONS SEE WRL LIST

UNLESS OTHERWISE SPECIFIED TOLERANCES: ANGULAR ±2'		DRWG BY	SIGN
INCH METRIC		Ca	
3 PLACE ± .	±	CHK'D BY	SIGN
2 PLACE ± .	±	KN	
1 PLACE ± .	±	APP'D BY	SIGN
DRAFT WHERE APPLICABLE MUST REMAIN WITHIN DIMENSIONS			
DESIGN DIMENSION	<input checked="" type="checkbox"/> MM <input type="checkbox"/> IN.	SCALE	
EQUIVALENT DIMENSION	<input type="checkbox"/> MM <input type="checkbox"/> IN.	1:1	
IF TWO DIMENSIONS ARE SHOWN THE UPPER IS THE DESIGN DIMENSION, LOWER IS SECONDARY			

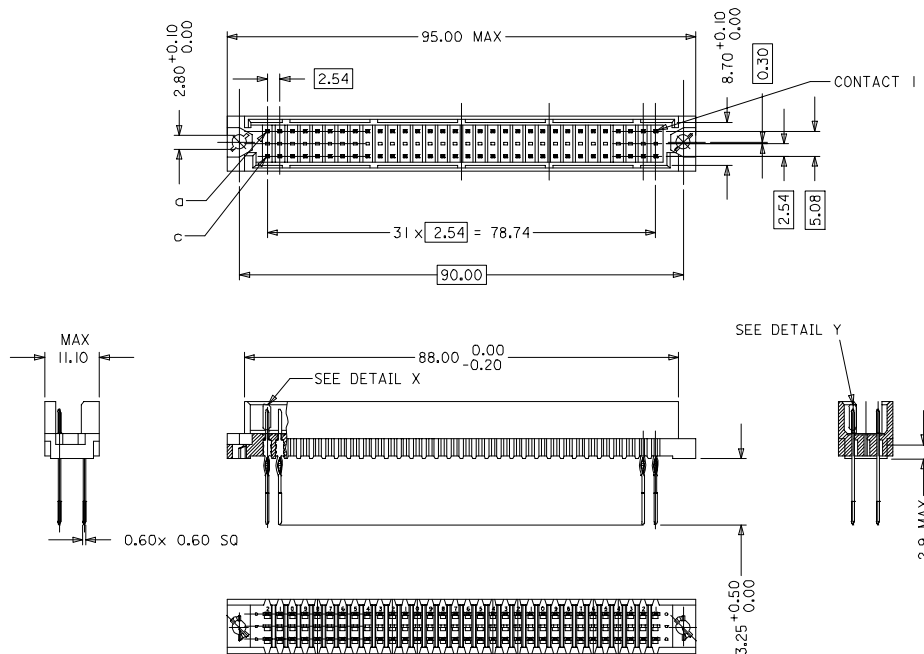
THIS DRAWING CONTAINS INFORMATION THAT IS PROPRIETARY TO MOLEX INC. & SHOULD NOT BE USED WITHOUT WRITTEN PERMISSION

TITLE  
96 pos. Male connector  
DIN 41612 style R (C-Pin)  
Dimensions

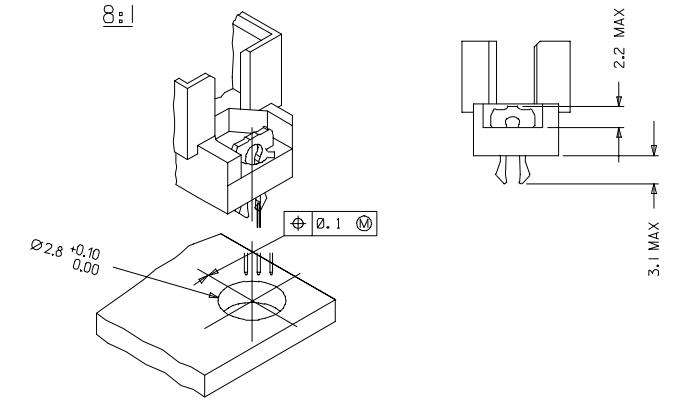
MOLEX MOLEX EUROPE

PART NO. DWG NO. SHEET NO. DATE  
see sh. no. 2 of 3 610-6043-201 1 OF 3 9/11/28

SIZE  
B

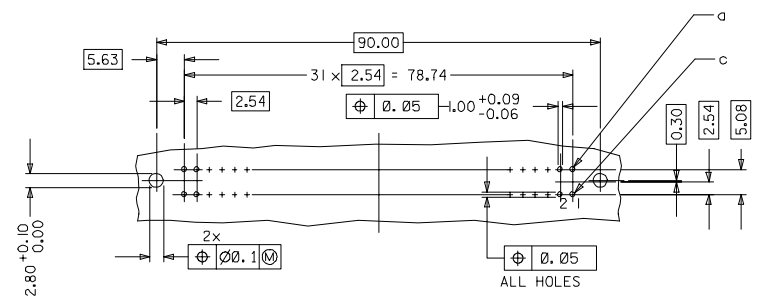


WITH MOUNTING CLIPS



- NOTES:
- 1) MATERIALS: THERMOPLASTIC POLYESTER, GLASS FILLED, UL94-V0  
 COLOUR: PEBBLE GREY RAL 7032  
 TERMINAL - PHOSPHOR BRONZE  
 MOUNTING CLIP: STEEL
  - 2) FINISH: TERMINAL:-  
 CONTACT AREA :  
 PERFORMANCE LEVEL 2: SELECTIVE GOLD (Au), THICKNESS = 0.8 MICROMETER  
 OVER NICKEL, THICKNESS = 1.25 MICROMETER MIN  
 PRESS-IN AREA :  
 Au FLASH  
 OVER NICKEL, THICKNESS = 1.25 MICROMETER MIN OVERALL  
 WIRE WRAP AREA :  
 PERFORMANCE LEVEL 2: SELECTIVE GOLD (Au), THICKNESS = 0.8 MICROMETER  
 OVER NICKEL, THICKNESS = 1.25 MICROMETER MIN
  - 3) MOUNTING CLIP:-  
 TIN (Sn), THICKNESS = 5-10 MICROMETER,  
 OVER NICKEL (Ni), THICKNESS = 2.5 MICROMETER
  - 4) FOR NON MOUNTING CLIP OPTION, CONNECTOR TO BE SECURED WITH  
 RIVETS: 2 TUBULAR RIVETS 2.5 x 0.3 ... DIN 7340  
 SCREWS: 2 CHEESEHEAD SCREWS M2.5 x ... DIN 84 AND 2 HEXAGONAL NUTS M2.5 DIN 934
  - 5) MATERIAL NUMBER, BATCH CODE, UL AND CSA MARKING  
 TO BE PRINTED ON THE CONNECTOR
  - 6) CUT FACE OF TIP WITHOUT PLATING PERMITTED
  - 7) PRODUCT SPECIFICATION PS : 36515-001

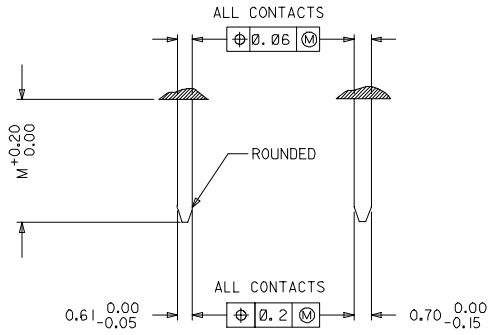
RECOMMENDED PCB LAYOUT  
COMPONENT SIDE



EC NO. 12005-0365 DRAWN BY: SIVAKUMAR CHECKED BY: SUDHIR APPROVED BY: APPR:KRAJSAJ	QUALITY SYMBOLS ▽=0 ▽=0	GENERAL TOLERANCES (UNLESS SPECIFIED)		DIMENSION STYLE		SCALE	DESIGN UNITS	THIRD ANGLE PROJECTION	
		mm	INCH	MM ONLY	INCH	2:1	METRIC		
A	DESCRIPTION	4 PLACES ±---	±---	DRAWN BY	DATE	TITLE			
		3 PLACES ±0.05	±---	SIVAKUMAR	2005/01/06	ASSY. DIN 41612. R MALE 64POS. A+C LOADED, PRESS-IN, WIRE WRAP			
A	REV	2 PLACES ±0.1	±---	CHECKED BY	DATE	MATERIAL NO.			
		1 PLACE ±0.15	±---	SUDHIR	2005/01/06	SD-85013-2282			
		ANGULAR ± 2 °		APPROVED BY		DOCUMENT NO.		SHEET NO.	
				SUDHIR		SD-85013-2282		1 OF 2	
		DRAFT WHERE APPLICABLE MUST REMAIN WITHIN DIMENSIONS		SIZE		THIS DRAWING CONTAINS INFORMATION THAT IS PROPRIETARY TO MOLEX INCORPORATED AND SHOULD NOT BE USED WITHOUT WRITTEN PERMISSION			
				A 1					

20	19	18	17	16	15	14	13	12	11	10	9	8	7	6	5	4	3	2	1
MATERIAL No.	MOLEX ENG No.	PERF LEVEL	FINISH		CONTACT SEQUENCE/ROW	DIM "L" MM	MOUNTING CLIP	FMLB											
85013-2282	-	2	CONTACT AREA	TERMINATION AREA	L2.3...32 a+c	13.25	NO	NO											
			Au + Ni	Au + Ni															

DETAILY      DETAILX



PRE MATING CONTACTS	5.4
NORMAL CONTACTS	4.8
	M

IEC NO. 12005-0365 DRWNSIYAKUMAR 2005/01/10 CHKDSSUDHIR 2005/01/10 APPR:KRAASAI 2005/01/10	QUALITY SYMBOLS ▽=0 ▽=0	GENERAL TOLERANCES (UNLESS SPECIFIED)		DIMENSION STYLE	SCALE	DESIGN UNITS	THIRD ANGLE PROJECTION
		mm	INCH	MM ONLY	2:1	METRIC	☉
		4 PLACES ±---	±---	DRAWN BY	DATE	TITLE	
		3 PLACES ±0.05	±---	SIVAKUMAR	2005/01/06	ASSY. DIN 41612, R MALE	
		2 PLACES ±0.1	±---	CHECKED BY	DATE	64POS, A+C LOADED,	
		1 PLACE ±0.15	±---	SSUDHIR	2005/01/06	PRESS-IN, WIRE WRAP	
		ANGULAR ± 2 °		APPROVED BY	DATE	MOLEX INCORPORATED	
				SSUDHIR	2005/01/06	MOLEX INCORPORATED	
				MATERIAL NO.	DOCUMENT NO.	SHEET NO.	
				85013-2282	SD-85013-2282	2 OF 2	
DRAFT WHERE APPLICABLE MUST REMAIN WITHIN DIMENSIONS		THIS DRAWING CONTAINS INFORMATION THAT IS PROPRIETARY TO MOLEX INCORPORATED AND SHOULD NOT BE USED WITHOUT WRITTEN PERMISSION					