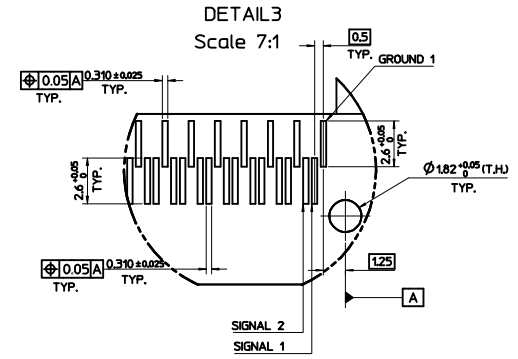
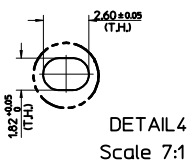
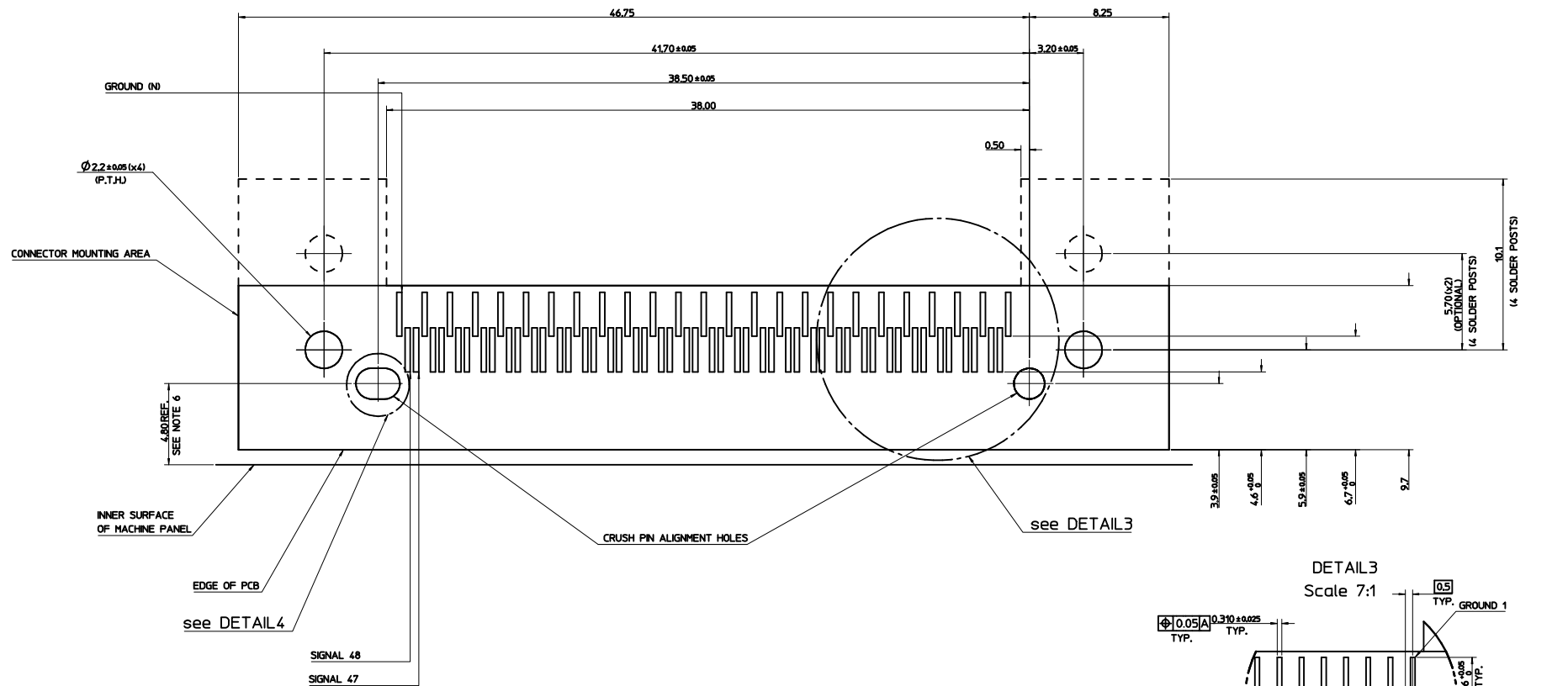


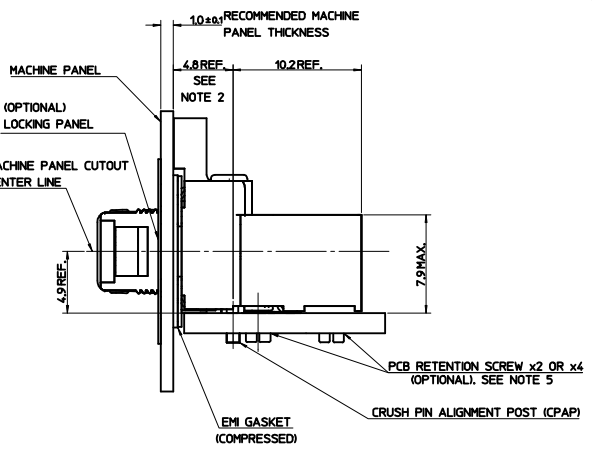
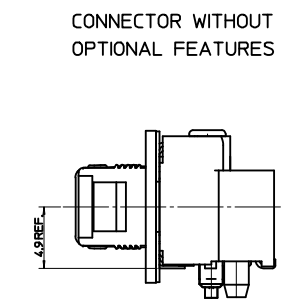
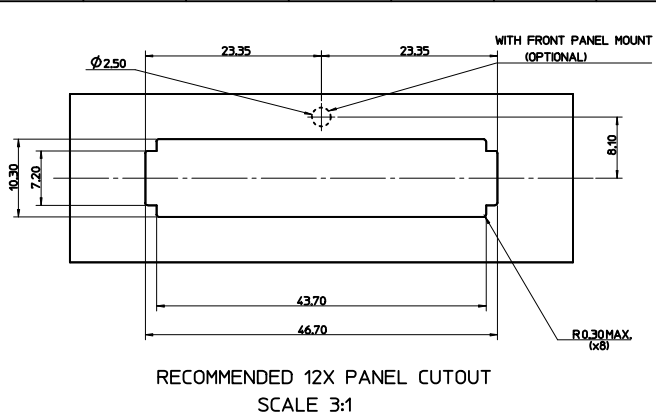
- NOTES:
1. PRODUCT SPECIFICATION PS-91525-001
 2. PACKAGING SPECIFICATION PK-91803-001
 3. SCREW THREAD M2.0 X 0.4 PITCH TAPPED THROUGH, RECOMMENDED SCREW M2 X 0.4 PITCH. LENGTH 8mm. WITH A PAN HEAD, RECOMMENDED TORQUE 0.3Nm MAX.
 4. CPAP USED TO ALIGN THE SOLDER TAILS WITH THE SOLDER PADS
 5. SCREW THREAD M2.0 X 0.4 PITCH TAPPED THROUGH, RECOMMENDED SCREW M2 X 0.4 PITCH. LENGTH 5mm. WITH A PAN HEAD, RECOMMENDED TORQUE 0.3Nm MAX.
 6. RECEPTACLE CONTACTS 127um MIN NICKEL ALL OVER CONTACT AREA 0.10 um MIN GOLD OVER 0.76um MIN PALLADIUM NICKEL SMT AREA 3um MIN TIN.
 7. PCB DATUM B = B1 + B2 + B3
 8. PCB RETENTION OPTIONS:
2 OR 4 SCREWS. (4 FOR REAR MOUNT OPTION).
2 OR 4 SOLDER POSTS. (4 FOR REAR MOUNT OPTION).
 9. LOCKING PANEL (91532) ONE PER CONNECTOR ORDER SEPARATELY. SEE SALES DRAWING SD-91532-001
 9. FOR 4X PARTS PLEASE REFER TO SD-91804-001 (FOAM GASKET) AND SD-91804-003 (METAL GASKET)

| | | | | | | | | |
|--|-----------------------|---------------------------------------|---|-----------------|--|-------|--------------|------------------------|
| MOD TO SUB HOUSING ELEC NO: E2008-0258 D DRAWNLK/TERMAN CHKD: 2008/05/02 APPR:BMAGUIRE 2008/05/06 REV | QUALITY SYMBOLS | GENERAL TOLERANCES (UNLESS SPECIFIED) | | DIMENSION STYLE | | SCALE | DESIGN UNITS | THIRD ANGLE PROJECTION |
| | $\nabla=0$ | mm | INCH | MM ONLY | | 5:1 | METRIC | |
| | $\nabla=0$ | 4 PLACES ± --- ± --- | | DRAWN BY DATE | | | | |
| | | 3 PLACES ± --- ± --- | | DWALSH 11/11/04 | | | | |
| | 2 PLACES ± 0.10 ± --- | | CHECKED BY DATE | | | | | |
| | 1 PLACE ± 0.2 ± --- | | KDELANEY 18/11/04 | | | | | |
| | ANGULAR ± 2 ° | | APPROVED BY DATE | | | | | |
| | | | JWALLACE 25/11/04 | | | | | |
| | | | MATERIAL NO. | | | | | |
| | | | DOCUMENT NO. | | | | | |
| | | | SEE SHEET 4 & 5 | | | | | |
| | | | SD-91525-004 | | | | | |
| | | | THIS DRAWING CONTAINS INFORMATION THAT IS PROPRIETARY TO MOLEX INCORPORATED AND SHOULD NOT BE USED WITHOUT WRITTEN PERMISSION | | | | | |



- NOTES:
1. REFER TO SHEET 1 FOR ANY UNSPECIFIED NOTES OR DIMENSIONS.
 2. AREAS OUTLINED TO BE FREE OF COMPONENTS
 3. ALL HOLE SIZES ARE FINISHED HOLE SIZES.
 4. FOR ANY UNSPECIFIED DIMENSIONS OR NOTES SEE SHEET 1
 5. RANGE OF PCB THICKNESSES: 1.6 TO 2.10mm INCLUSIVE.
LONGER SOLDER POSTS AVAILABLE FOR OTHER PCB THICKNESSES.
FOR FURTHER INFORMATION PLEASE CONTACT LOCAL SALES OFFICE.
 6. THE DESIGN CAN ACCOMMODATE DIFFERENT VALUES OF THIS DIMENSION BY VARYING THE EMI GASKET THICKNESS. FOR FURTHER INFORMATION PLEASE CONTACT YOUR LOCAL SALES OFFICE

| | | | | | | | | |
|--|-------------------------------|---------------------------------------|------|--|------------------|---|------------------------|--|
| SEE SHEET 1 EC NO: E2008-0258 DRAWN: KIERMAN CHKD: 2008/05/02 APPR: BMAGUIRE 2008/05/06 | QUALITY SYMBOLS ▽=0 ▽=0 | GENERAL TOLERANCES (UNLESS SPECIFIED) | | DIMENSION STYLE MM ONLY | | SCALE 8:1 | DESIGN UNITS METRIC | THIRD ANGLE PROJECTION |
| | | m | INCH | DRAWN BY DWALSH | DATE 11/11/04 | TITLE 12X LATCH SALES DRAWING | | |
| | | 4 PLACES ± | ± | | | CHECKED BY KDELANEY | DATE 18/11/04 | MOLEX INCORPORATED DOCUMENT NO. SD-91525-004 |
| | | 3 PLACES ± | ± | | | APPROVED BY JWALLACE | DATE 25/11/04 | |
| | | 2 PLACES ± | ± | | | SHEET NO. 2 OF 5 | | |
| | | 1 PLACE ± | ± | | | SHEET NO. 2 OF 5 | | |
| | | ANGULAR ± 2 ° | | DRAFT WHERE APPLICABLE MUST REMAIN WITHIN DIMENSIONS | | THIS DRAWING CONTAINS INFORMATION THAT IS PROPRIETARY TO MOLEX INCORPORATED AND SHOULD NOT BE USED WITHOUT WRITTEN PERMISSION | | |



(OPTIONAL)
FRONT PANEL MOUNT

EMI GASKET

LATCH

SHIELD

(OPTIONAL) PCB
REAR MOUNTING HOLES

SOLDER POST OR
SCREWS (x2) OR (x4)

SEE NOTE 3

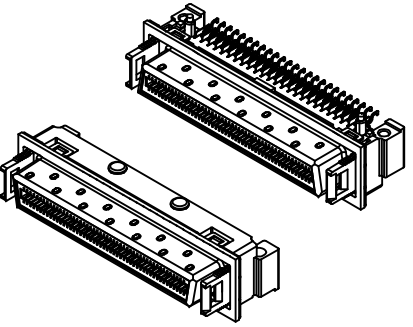
12X PANEL CUTOUT WITH
FRONT PANEL MOUNT

LOCKING PANEL WITH
FRONT PANEL MOUNT (OPTIONAL)

- NOTES:
- REFER TO SHEET 1 FOR ALL UNSPECIFIED NOTES AND DIMENSIONS.
 - FINAL ASSEMBLY DIMENSIONS
 - PCB RETENTION OPTIONS:
2 OR 4 SCREWS, (4 FOR REAR MOUNT OPTIONS)
2 OR 4 SOLDER POSTS, (4 FOR REAR MOUNT OPTIONS)
 - LOCKING PANEL (91532) ONE PER CONNECTOR ORDER SEPARATE SEE SALES DRAWING SD-91532-001
 - RECOMMENDED SCREW M2 X 0.4 PITCH, LENGTH 8MM, WITH A PAN HEAD.
RECOMMENDED TORQUE 0.3 Nm MAX.

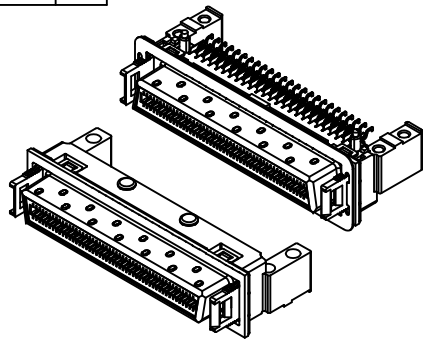
| | | | | | | |
|---|-----------------|--|--|------------------------------------|--------------|--|
| SEE SHEET 1 EC NO: E2008-0258 D: DRINKLIERMAN 2008/04/28 CHKD: APPRS:BMAGUIRE 2008/05/06 REV: | QUALITY SYMBOLS | GENERAL TOLERANCES (UNLESS SPECIFIED) | DIMENSION STYLE | SCALE | DESIGN UNITS | THIRD ANGLE PROJECTION |
| | =0 ≠0 | mm INCH 4 PLACES ± --- ± --- 3 PLACES ± --- ± --- 2 PLACES ± 0.10 ± --- 1 PLACE ± 0.2 ± --- ANGULAR ± 2 ° | MM ONLY | 5:1 | METRIC | <input checked="" type="checkbox"/> THIRD ANGLE PROJECTION |
| | DESCRIPTION | DRAFT WHERE APPLICABLE MUST REMAIN WITHIN DIMENSIONS | DRAWN BY: DWALSH DATE: 11/11/04 CHECKED BY: KDELANEY DATE: 18/11/04 APPROVED BY: JWALLACE DATE: 25/11/04 | TITLE: 12X LATCH SALES DRAWING | | |
| | | | MATERIAL NO. SEE SHEET 4 & 5 SD-91525-004 | MOLEX INCORPORATED DOCUMENT NO. | | |
| | | | SIZE: 1 THIS DRAWING CONTAINS INFORMATION THAT IS PROPRIETARY TO MOLEX INCORPORATED AND SHOULD NOT BE USED WITHOUT WRITTEN PERMISSION | SHEET NO. 3 OF 5 | | |

| | |
|--------------|----|
| 12 LATCH I/O | |
| REAR MOUNTS | NO |
| PANEL MOUNTS | NO |
| SOLDER POSTS | NO |



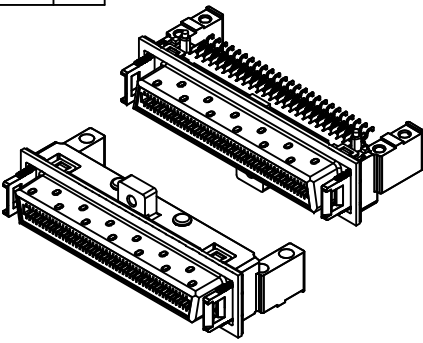
| PART NO. | PACKAGING |
|------------|---------------|
| 91525-1210 | TRAY |
| 91525-8210 | TAPE AND REEL |

| | |
|--------------|-----|
| 12 LATCH I/O | |
| REAR MOUNTS | YES |
| PANEL MOUNTS | NO |
| SOLDER POSTS | NO |



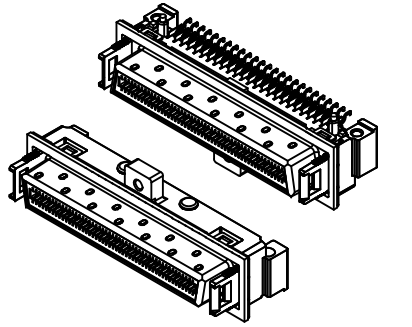
| PART NO. | PACKAGING |
|------------|---------------|
| 91525-1212 | TRAY |
| 91525-8212 | TAPE AND REEL |

| | |
|--------------|-----|
| 12 LATCH I/O | |
| REAR MOUNTS | YES |
| PANEL MOUNTS | YES |
| SOLDER POSTS | NO |



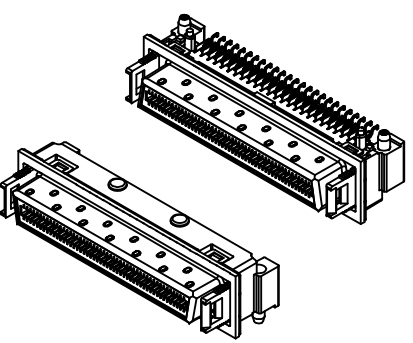
| PART NO. | PACKAGING |
|------------|---------------|
| 91525-1214 | TRAY |
| 91525-8214 | TAPE AND REEL |

| | |
|--------------|-----|
| 12 LATCH I/O | |
| REAR MOUNTS | NO |
| PANEL MOUNTS | YES |
| SOLDER POSTS | NO |



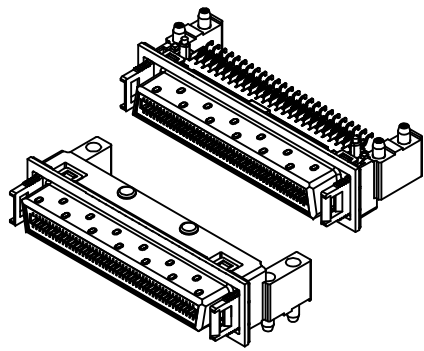
| PART NO. | PACKAGING |
|------------|---------------|
| 91525-1216 | TRAY |
| 91525-8216 | TAPE AND REEL |

| | |
|--------------|----|
| 12 LATCH I/O | |
| REAR MOUNTS | NO |
| PANEL MOUNTS | NO |
| SOLDER POSTS | 2 |



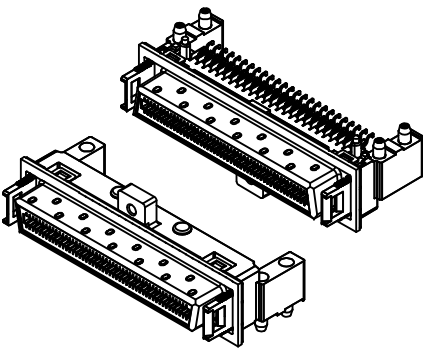
| PART NO. | PACKAGING |
|------------|---------------|
| 91525-1250 | TRAY |
| 91525-8250 | TAPE AND REEL |

| | |
|--------------|-----|
| 12 LATCH I/O | |
| REAR MOUNTS | YES |
| PANEL MOUNTS | NO |
| SOLDER POSTS | 4 |



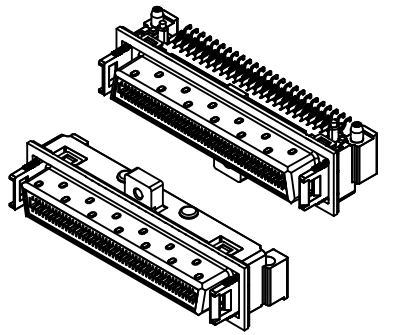
| PART NO. | PACKAGING |
|------------|---------------|
| 91525-1252 | TRAY |
| 91525-8252 | TAPE AND REEL |

| | |
|--------------|-----|
| 12 LATCH I/O | |
| REAR MOUNTS | YES |
| PANEL MOUNTS | YES |
| SOLDER POSTS | 4 |



| PART NO. | PACKAGING |
|------------|---------------|
| 91525-1254 | TRAY |
| 91525-8254 | TAPE AND REEL |

| | |
|--------------|-----|
| 12 LATCH I/O | |
| REAR MOUNTS | NO |
| PANEL MOUNTS | YES |
| SOLDER POSTS | 2 |



| PART NO. | PACKAGING |
|------------|---------------|
| 91525-1256 | TRAY |
| 91525-8256 | TAPE AND REEL |

NOTES:
 1. REFER TO SHEET 1 FOR ALL UNSPECIFIED NOTES AND DIMENSIONS.
 2. REFER TO SHEET 2 FOR PCB LAYOUT
 3. REFER TO SHEET 3 FOR OPTIONAL ASSEMBLY COMPONENTS AND DIMENSIONS.
 4. FOR 4X PARTS WITH FOAM GASKET PLEASE REFER TO SD-91804-001

SEE SHEET 1
 EC NO: E2008-0236
 D DRAWNLK/TERMAN
 2008/04/28
 CHKD: APPR:BMAGUIRE
 2008/05/02
 2008/05/06

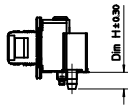
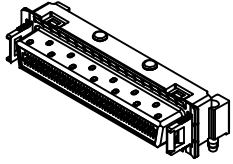
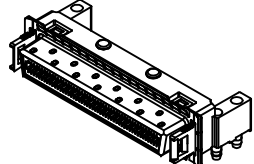
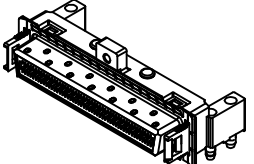
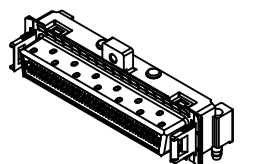
| | | |
|--|--------------|--------|
| QUALITY SYMBOLS | ▽=0 | |
| | ▽=0 | |
| GENERAL TOLERANCES (UNLESS SPECIFIED) | | |
| | mm | INCH |
| 4 PLACES | ± .10 | ± .004 |
| 3 PLACES | ± .15 | ± .005 |
| 2 PLACES | ± .20 | ± .008 |
| 1 PLACE | ± .30 | ± .012 |
| | ANGULAR ± 2° | |
| DRAFT WHERE APPLICABLE MUST REMAIN WITHIN DIMENSIONS | | |

| | | |
|-----------------|----------|---------|
| DIMENSION STYLE | | MM ONLY |
| DRAWN BY | DATE | |
| DWALSH | 11/11/04 | |
| CHECKED BY | DATE | |
| KDELANEY | 18/11/04 | |
| APPROVED BY | DATE | |
| JWALLACE | 25/11/04 | |
| MATERIAL NO. | | |

SCALE 2.5:1
 DESIGN UNITS METRIC
 THIRD ANGLE PROJECTION
 TITLE 12X LATCH SALES DRAWING

MOLEX INCORPORATED
 DOCUMENT NO. SD-91525-004
 SHEET NO. 4 OF 5
 THIS DRAWING CONTAINS INFORMATION THAT IS PROPRIETARY TO MOLEX INCORPORATED AND SHOULD NOT BE USED WITHOUT WRITTEN PERMISSION

METAL GASKET AND SOLDER POST LENGTH OPTIONS

|  | PACKAGING |  | |  | |  | |  | | |
|---|-----------|--|------------|---|------------|---|------------|---|------------|------------|
| | | NO SOLDER POSTS | TRAY | 91525-1211 | 91525-1213 | 91525-1215 | 91525-1217 | TAPE & REEL | 91525-8211 | 91525-8213 |
| Dim H = 2.3 | TRAY | 91525-1251 | 91525-1253 | 91525-1255 | 91525-1257 | TAPE & REEL | 91525-8251 | 91525-8253 | 91525-8255 | 91525-8257 |
| | TRAY | 91525-1261 | 91525-1263 | 91525-1265 | 91525-1267 | TAPE & REEL | 91525-8261 | 91525-8263 | 91525-8265 | 91525-8267 |
| Dim H = 3.3 | TRAY | 91525-1291 | 91525-1293 | 91525-1295 | 91525-1297 | TAPE & REEL | 91525-8291 | 91525-8293 | 91525-8295 | 91525-8297 |
| | TRAY | 91525-1291 | 91525-1293 | 91525-1295 | 91525-1297 | TAPE & REEL | 91525-8291 | 91525-8293 | 91525-8295 | 91525-8297 |

NOTES:

1. REFER TO SHEET 1 FOR ALL UNSPECIFIED NOTES AND DIMENSIONS.
2. REFER TO SHEET 2 FOR PCB LAYOUT
3. REFER TO SHEET 3 FOR OPTIONAL ASSEMBLY COMPONENTS AND DIMENSIONS.
4. FOR 4X PARTS WITH METAL GASKET PLEASE REFER TO SD-91804-003

| | | | | | | | | | | | |
|---|--|-------------------------------|--|--|--|--|----------------------------------|------------------------|------------------------|--|-----------|
| SEE SHEET 1 EC NO: E2008-0258 DRAWN BY: DWALSH CHKD: KDELANEY APPR: BMAGUIRE | 2008/04/28 2008/05/02 2008/05/06 | QUALITY SYMBOLS ▽=0 ▽=0 | GENERAL TOLERANCES (UNLESS SPECIFIED) | | DIMENSION STYLE MM ONLY | | SCALE 2:1 | DESIGN UNITS METRIC | THIRD ANGLE PROJECTION | | |
| | | | 4 PLACES ± --- ± --- 3 PLACES ± --- ± --- 2 PLACES ± 0.10 ± --- 1 PLACE ± 0.2 ± --- | | mm INCH DWALSH 11/11/04 KDELANEY 18/11/04 JWALLACE 25/11/04 | | TITLE 12X LATCH SALES DRAWING | | | | |
| | | | ANGULAR ± 2 ° | | APPROVED BY | | MATERIAL NO. | | DOCUMENT NO. | | SHEET NO. |
| | | | DRAFT WHERE APPLICABLE MUST REMAIN WITHIN DIMENSIONS | | SEE SHEET 4 & 5 | | SD-91525-004 | | MOLEX INCORPORATED | | 5 OF 5 |
| THIS DRAWING CONTAINS INFORMATION THAT IS PROPRIETARY TO MOLEX INCORPORATED AND SHOULD NOT BE USED WITHOUT WRITTEN PERMISSION | | | | | | | | | | | |