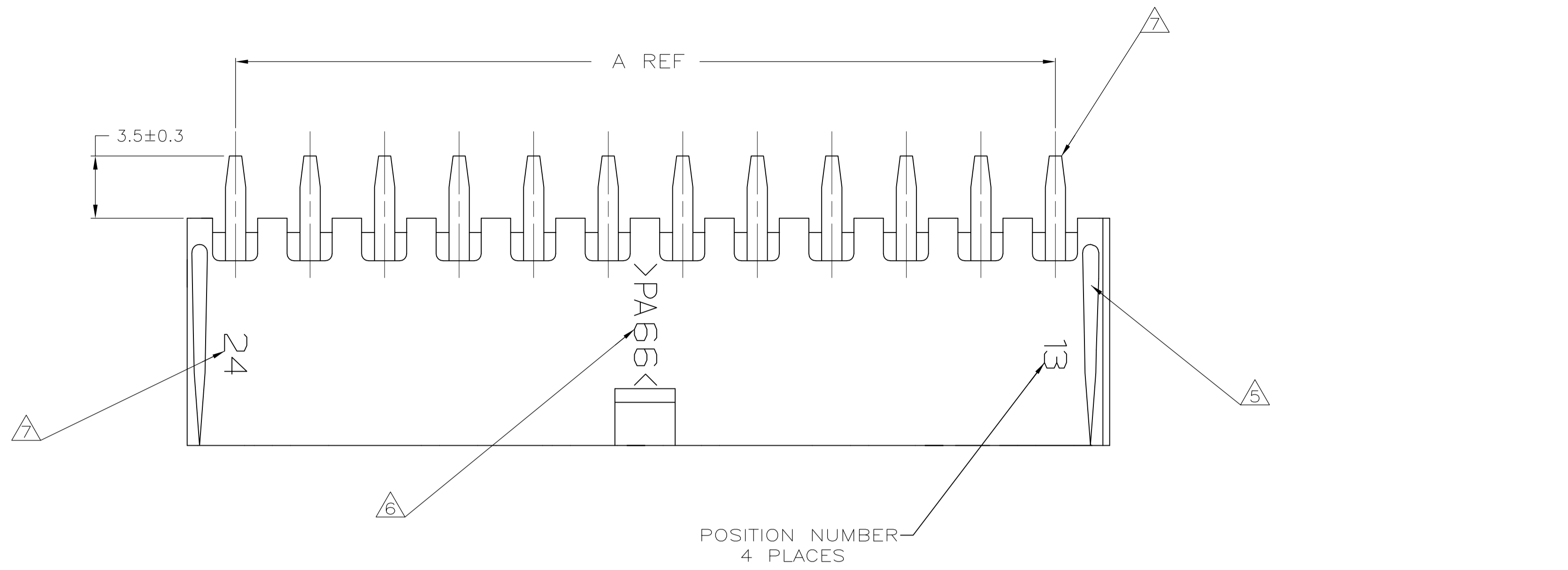
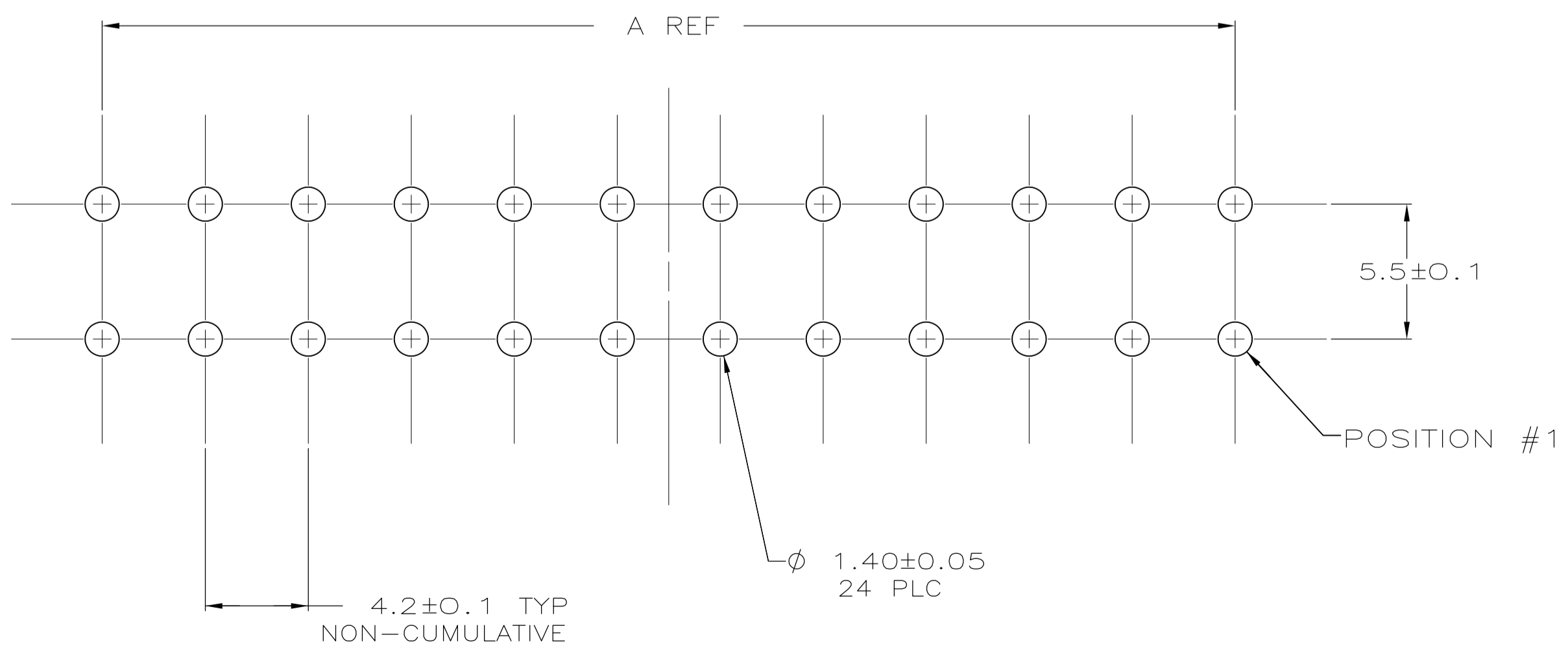
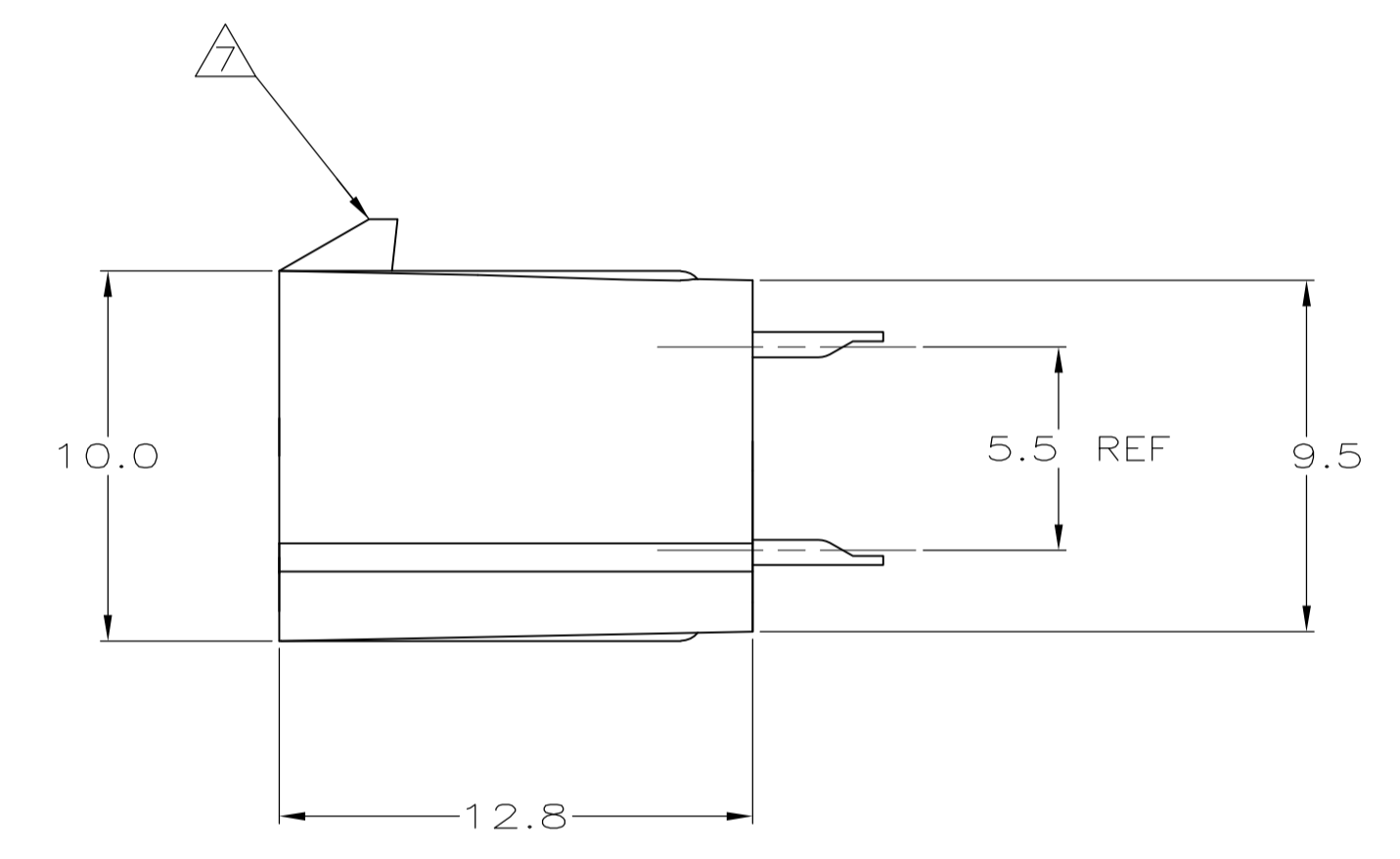
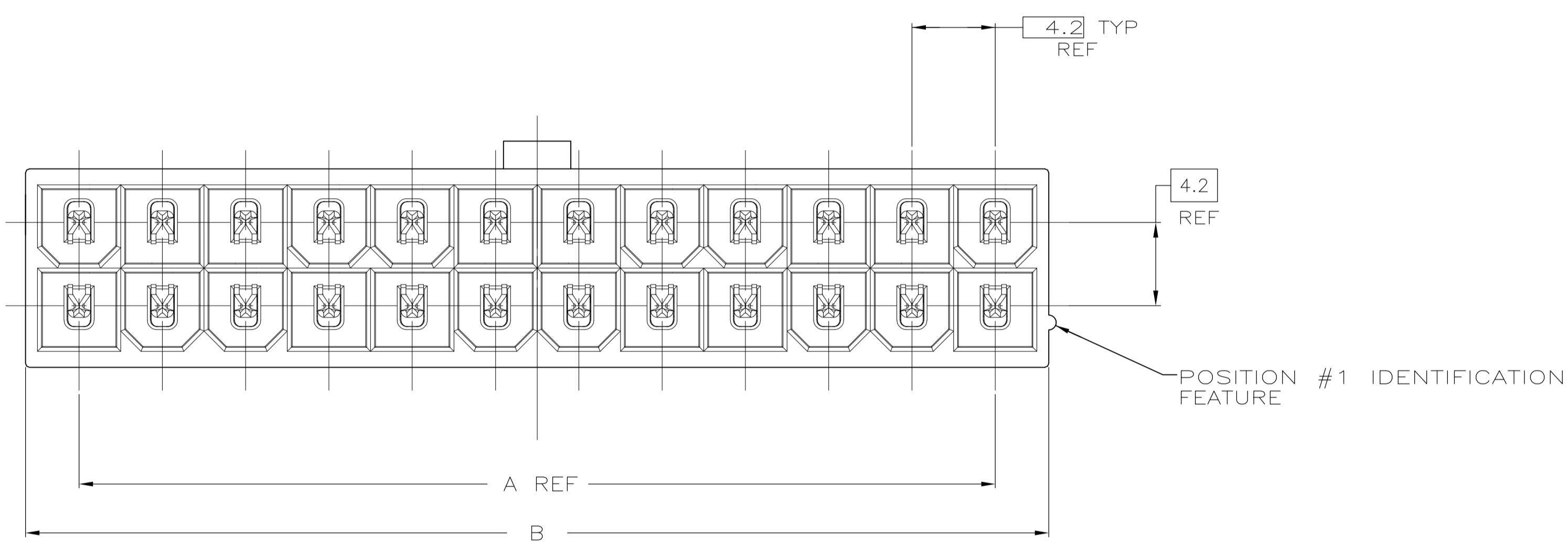


| LOC |     | DIST                      |         | REVISIONS |      |  |  |
|-----|-----|---------------------------|---------|-----------|------|--|--|
| P   | LTR | DESCRIPTION               | DATE    | DNW       | APVD |  |  |
| P   |     | REVISED PER ECO-11-005027 | 11MAR11 | RK        | HMR  |  |  |

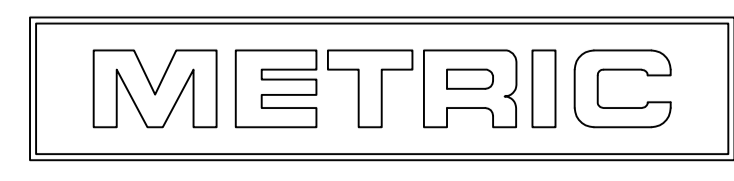


- △ MATERIAL: HOUSING - NYLON, UL94V-2 (COLOR - NATURAL, COLOR OF PARTS MAY VARY). CONTACTS - 0.25 THK COPPER ALLOY.
- △ CONTACT FINISH: 0.003 MIN THK TIN OVER 0.00127 MIN THK NICKEL OVER ENTIRE CONTACT.
- 3. SOLDER TAIL MEETS AMP SOLDERABILITY SPECIFICATION 109-11-2.
- 4. MATES WITH SIMILARLY PLATED AMP-DUAC™ POWER CONNECTOR RECEPTACLE HOUSINGS/SOCKET CONTACTS.
- △ RIBS ON FOUR CORNERS OPTIONAL.
- △ AMP LOGO AND MATERIAL ID MAY BE LOCATED ON EITHER LONG SIDE OF PART.
- △ SIZE, SHAPE OR STYLE OF THIS FEATURE MAY VARY.



RECOMMENDED MOUNTING HOLE PATTERN FOR 1.78 MAX THICK P.C. BOARD COMPONENT SIDE SHOWN

| 51.6 | 46.2 | 24               | 2-1586491-4 |
|------|------|------------------|-------------|
| 47.4 | 42.0 | 22               | 2-1586491-2 |
| 43.2 | 37.8 | 20               | 2-1586491-0 |
| 39.0 | 33.6 | 18               | 1-1586491-8 |
| 34.8 | 29.4 | 16               | 1-1586491-6 |
| 30.6 | 25.2 | 14               | 1-1586491-4 |
| 26.4 | 21.0 | 12               | 1-1586491-2 |
| 22.2 | 16.8 | 10               | 1-1586491-0 |
| 18.0 | 12.6 | 8                | 1586491-8   |
| 13.8 | 8.4  | 6                | 1586491-6   |
| 9.6  | 4.2  | 4                | 1586491-4   |
| 5.4  | 0.0  | 2                | 1586491-2   |
| B    | A    | NO. OF POSITIONS | PART NO     |



THIS DRAWING IS A CONTROLLED DOCUMENT.

|                |  |                            |                         |                          |  |
|----------------|--|----------------------------|-------------------------|--------------------------|--|
| DIMENSIONS: mm | TOLERANCES UNLESS OTHERWISE SPECIFIED: | DIN K. WHITAKER 20JUNE2005 | CHK D. COLEY 20JUNE2005 | APVD D. COLEY 20JUNE2005 | NAME   |
| 0 PLC ± -      | 1 PLC ± 0.2                            |                            |                         | PRODUCT SPEC             | ASSEMBLY, HEADER, VERTICAL, TIN PLATED, W/O PEGS, W/O DRAIN HOLES, 94V-2, AMP-DUAC |
| 2 PLC ± 0.13   | 3 PLC ± -                              |                            |                         | APPLICATION SPEC         | 108-1699   |
| 4 PLC ± -      | ANGLES ± ± 0°30'                       |                            |                         | SIZE                     | A1   |
| MATERIAL 1     | FINISH 2                               | WEIGHT                     | —                       | DRAWING NO               | 00779  |
|                |  | CUSTOMER DRAWING           | SCALE 5:1               | DRAWING NO               | 1586491  |
|                |  |                            |                         | RESTRICTED TO            | —  |
|                |  |                            |                         | SHEET                    | 1 OF 1   |
|                |  |                            |                         | REV                      | P  |