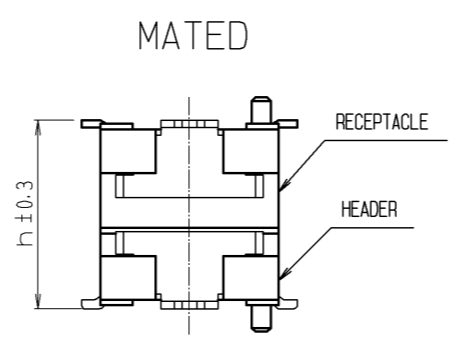


| CODE NO. | CONTACT | A | B | C | D | E | F | G | H | J |
|-----------------|---------|------|------|------|------|------|------|------|------|------|
| CL683-0082-1-57 | 20 | 10 | 6.7 | 5.6 | 4.5 | 9.8 | 8.2 | 7 | 10.4 | 7.6 |
| CL683-0083-4-57 | 30 | 12.5 | 9.2 | 8.1 | 7 | 12.3 | 10.7 | 9.5 | 12.9 | 10.1 |
| CL683-0084-7-57 | 40 | 15 | 11.7 | 10.6 | 9.5 | 14.8 | 13.2 | 12 | 15.4 | 12.6 |
| CL683-0085-0-57 | 50 | 17.5 | 14.2 | 13.1 | 12 | 17.3 | 15.7 | 14.5 | 17.9 | 15.1 |
| CL683-0086-2-57 | 60 | 20 | 16.7 | 15.6 | 14.5 | 19.8 | 18.2 | 17 | 20.4 | 17.6 |
| CL683-0087-5-57 | 70 | 22.5 | 19.2 | 18.1 | 17 | 22.3 | 20.7 | 19.5 | 22.9 | 20.1 |
| CL683-0088-8-57 | 80 | 25 | 21.7 | 20.6 | 19.5 | 24.8 | 23.2 | 22 | 25.4 | 22.6 |

NOTES 1 : LEAD CO-PLANARITY INCLUDE REINFORCED METAL FITTINGS SHALL BE 0.1mm MAX.
 2 IF THE RESIST PROCESSING HAS NOT MADE, IT HAS POSSIBILITY THAT THE TERMINAL TOUCHES WITH [Hatched Area] AREA. PLEASE BE NOTED THIS POINT.

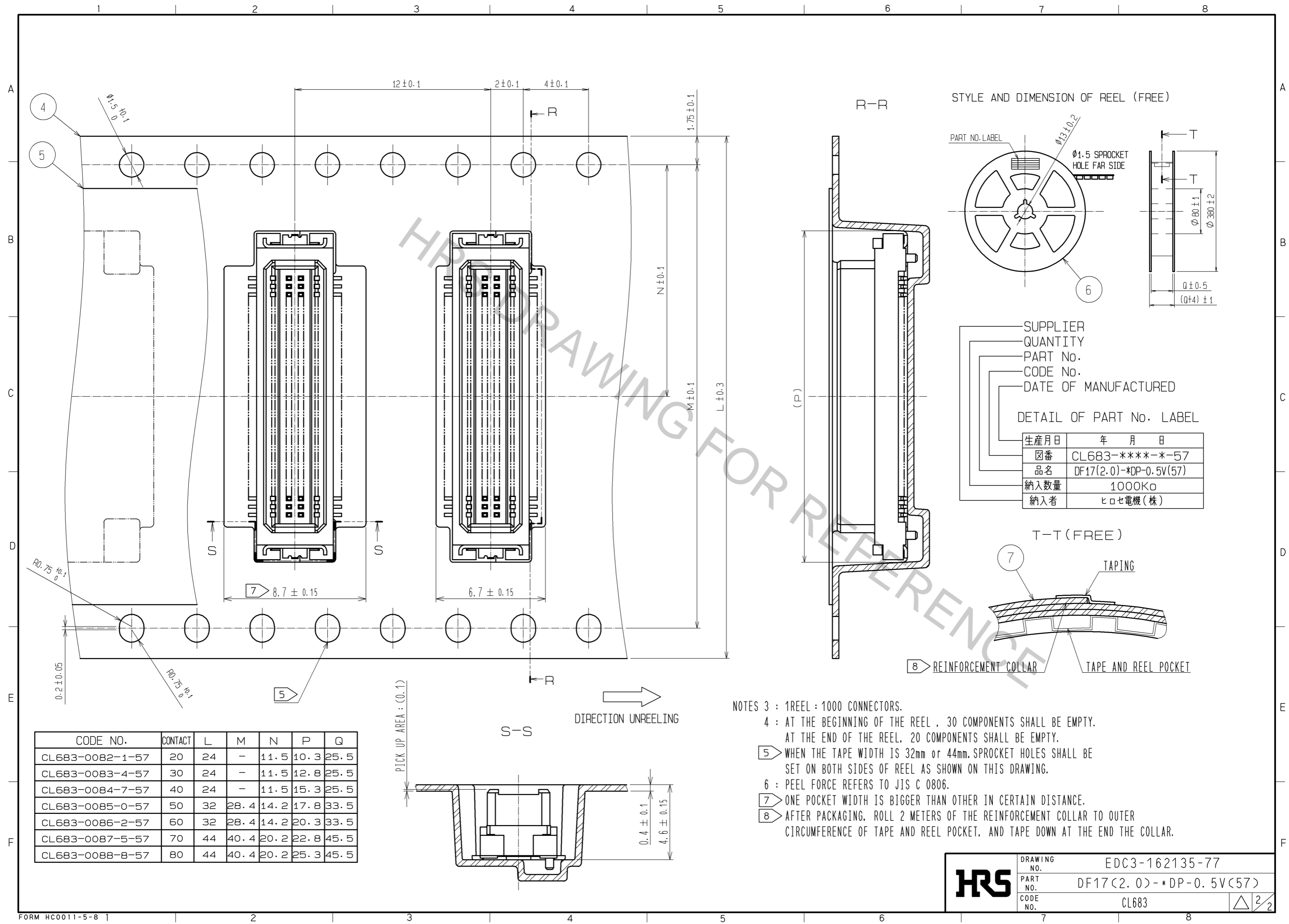
| MATED HIGHT (h) | | (mm) | |
|-------------------------|----------------|-------------------------|-------------------------|
| HEADER NO. | RECEPTACLE NO. | DF17#(3.0)-*DS-0.5V(57) | DF17#(4.0)-*DS-0.5V(57) |
| DF17#(2.0)-*DP-0.5V(57) | 5 | | 6 |



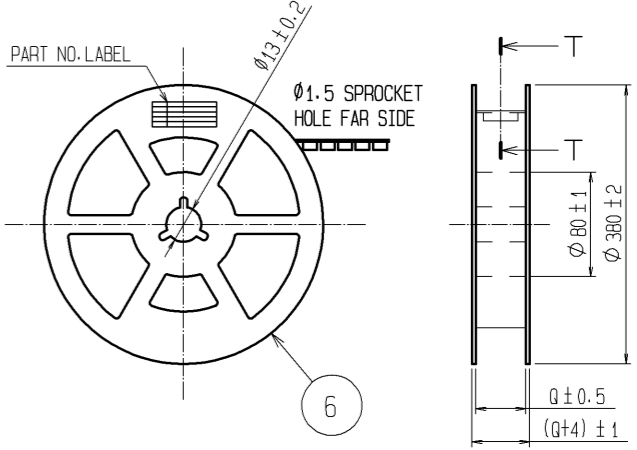
| NO. | MATERIAL | FINISH . REMARKS | NO. | MATERIAL | FINISH . REMARKS |
|-----|------------------|--|-----|-----------------|--|
| 2 | POLYAMIDE (PA6T) | WHITE BEIGE , UL94V-0 | 7 | PS | CLEAR (REINFORCEMENT COLLAR) |
| 1 | PHOSPHOR BRONZE | CONTACT AREA : GOLD PLATED 0.1μm min LEAD AREA : TIN PLATED 1μm min UNDER PLATING : NICKEL 1μm min | 6 | PS | BLACK (PLASTIC REEL) |
| | | | 5 | POLYESTER | CLEAR (COVER TAPE) |
| | | | 4 | PS | CLEAR (EMBOSSED CARRIER TAPE) |
| | | | 3 | PHOSPHOR BRONZE | TIN PLATED 1μm min UNDER PLATING : NICKEL 1μm min |

| UNITS | SCALE | COUNT | DESCRIPTION OF REVISIONS | DESIGNED | CHECKED | DATE |
|-------|-------|-------|--------------------------|----------|---------|------|
| mm | 5 : 1 | △ | | | | |

| | | | |
|------------------------|----------|-------------|------------------------|
| APPROVED : KH. IKEDA | 11.12.19 | DRAWING NO. | EDC3-162135-77 |
| CHECKED : TS. MIYAZAKI | 11.12.19 | PART NO. | DF17(2.0)-*DP-0.5V(57) |
| DESIGNED : YH. MICHIDA | 11.12.17 | CODE NO. | CL683 |
| DRAWN : MS. SATO | 11.12.17 | | |



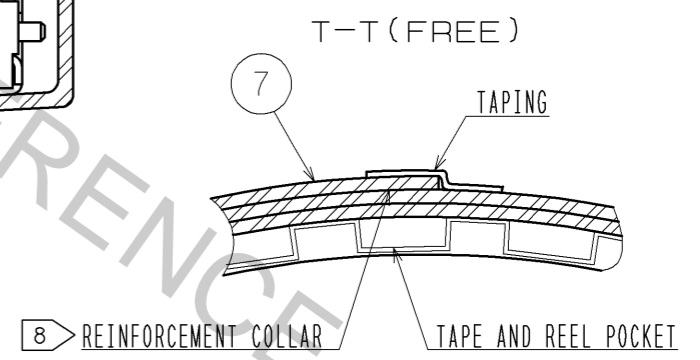
STYLE AND DIMENSION OF REEL (FREE)



SUPPLIER
QUANTITY
PART No.
CODE No.
DATE OF MANUFACTURED

DETAIL OF PART No. LABEL

| | |
|------|------------------------|
| 生産月日 | 年 月 日 |
| 図番 | CL683-****-*57 |
| 品名 | DF17(2.0)-*DP-0.5V(57) |
| 納入数量 | 1000K ϕ |
| 納入者 | ヒロセ電機(株) |



| CODE NO. | CONTACT | L | M | N | P | Q |
|-----------------|---------|----|------|------|------|------|
| CL683-0082-1-57 | 20 | 24 | - | 11.5 | 10.3 | 25.5 |
| CL683-0083-4-57 | 30 | 24 | - | 11.5 | 12.8 | 25.5 |
| CL683-0084-7-57 | 40 | 24 | - | 11.5 | 15.3 | 25.5 |
| CL683-0085-0-57 | 50 | 32 | 28.4 | 14.2 | 17.8 | 33.5 |
| CL683-0086-2-57 | 60 | 32 | 28.4 | 14.2 | 20.3 | 33.5 |
| CL683-0087-5-57 | 70 | 44 | 40.4 | 20.2 | 22.8 | 45.5 |
| CL683-0088-8-57 | 80 | 44 | 40.4 | 20.2 | 25.3 | 45.5 |

- NOTES 3 : 1REEL : 1000 CONNECTORS.
 4 : AT THE BEGINNING OF THE REEL , 30 COMPONENTS SHALL BE EMPTY.
 AT THE END OF THE REEL, 20 COMPONENTS SHALL BE EMPTY.
 5 WHEN THE TAPE WIDTH IS 32mm or 44mm, SPROCKET HOLES SHALL BE SET ON BOTH SIDES OF REEL AS SHOWN ON THIS DRAWING.
 6 : PEEL FORCE REFERS TO JIS C 0806.
 7 ONE POCKET WIDTH IS BIGGER THAN OTHER IN CERTAIN DISTANCE.
 8 AFTER PACKAGING, ROLL 2 METERS OF THE REINFORCEMENT COLLAR TO OUTER CIRCUMFERENCE OF TAPE AND REEL POCKET, AND TAPE DOWN AT THE END THE COLLAR.

| | | |
|------------|-------------|------------------------|
| HRS | DRAWING NO. | EDC3-162135-77 |
| | PART NO. | DF17(2.0)-*DP-0.5V(57) |
| | CODE NO. | CL683 |
| | | \triangle 2/2 |