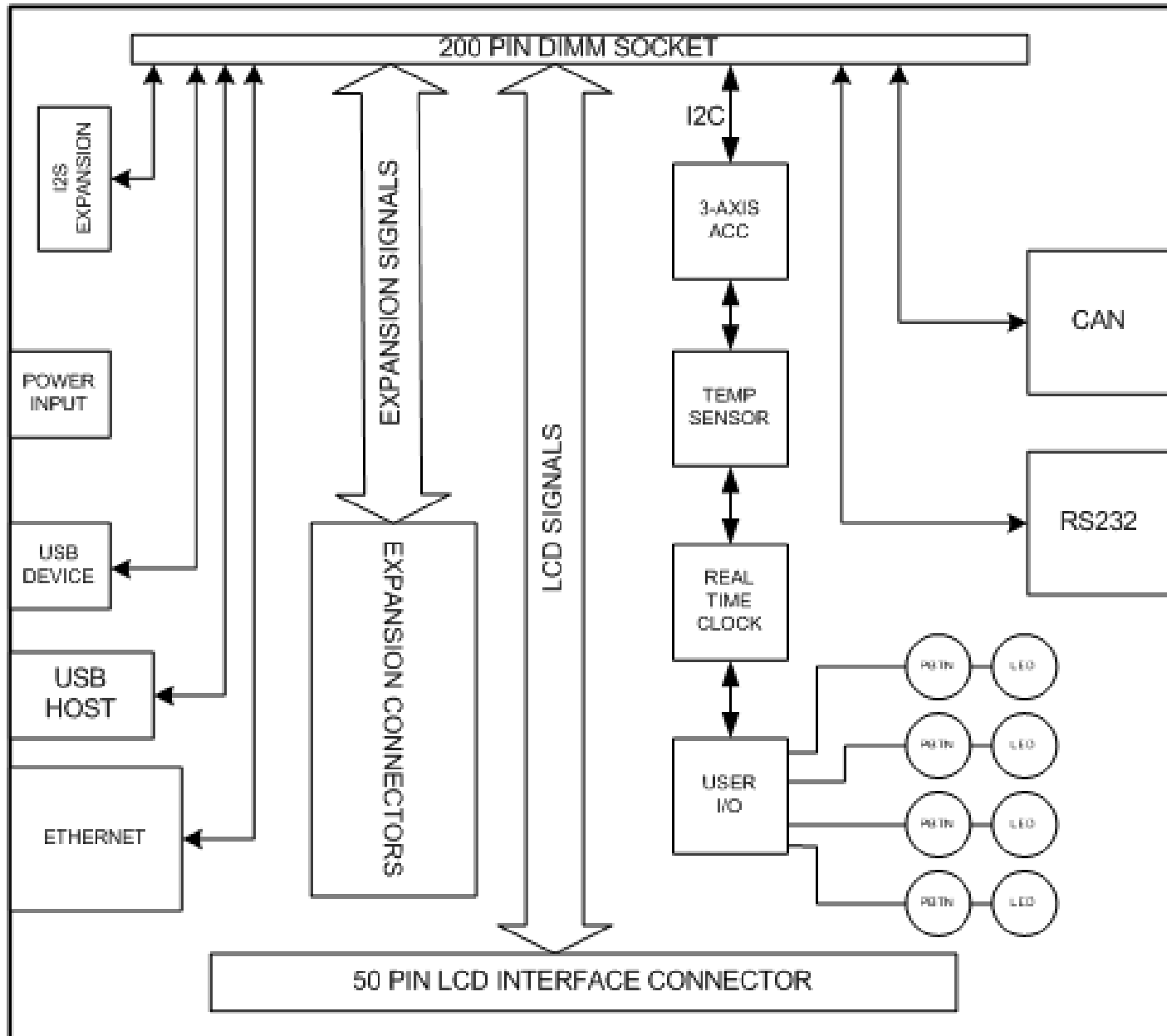
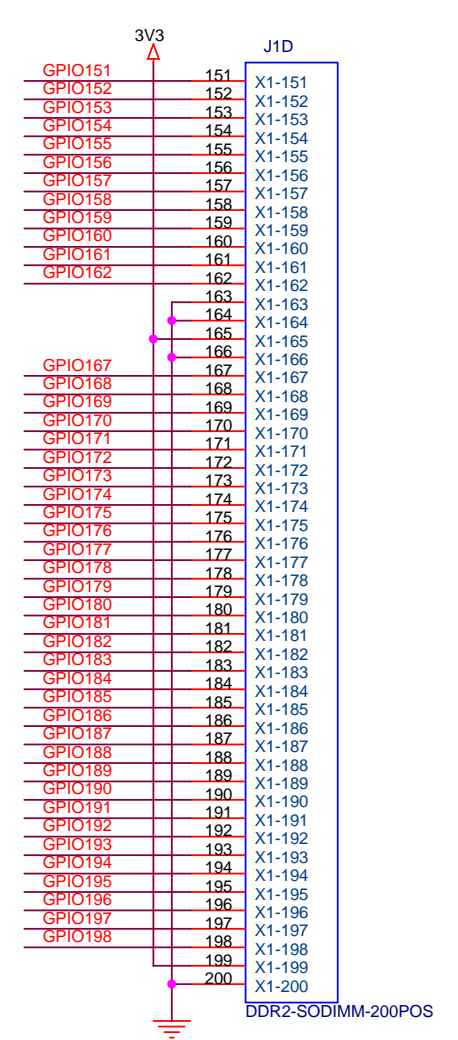
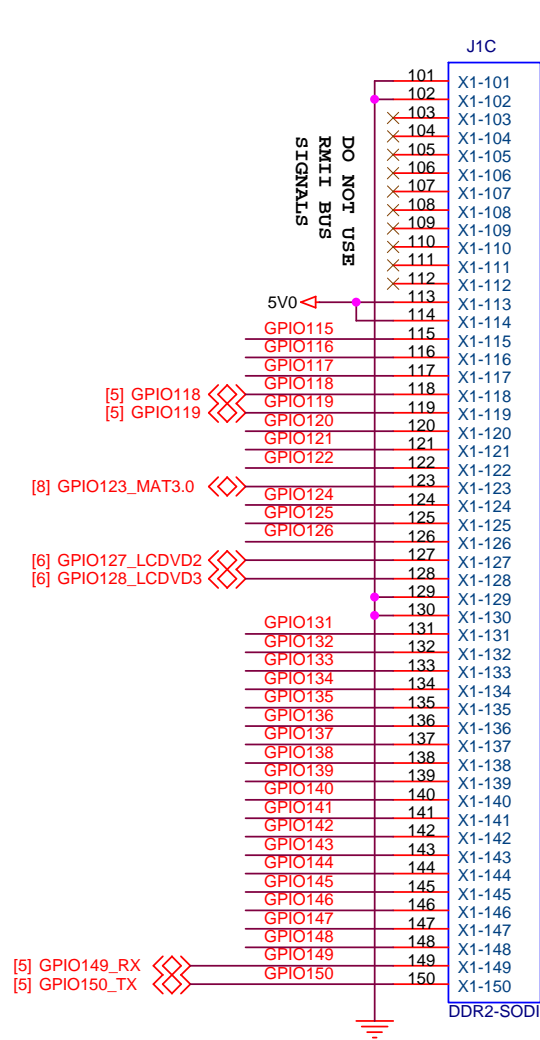
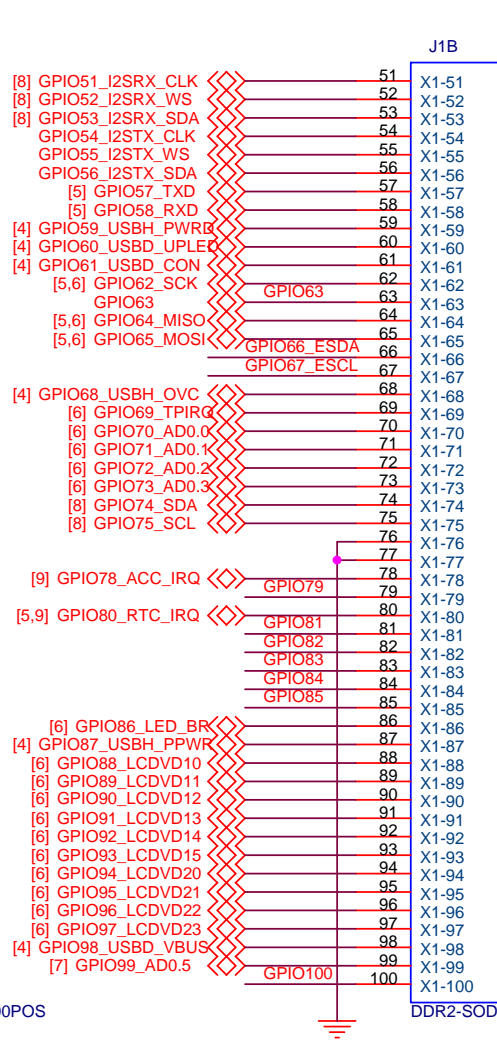
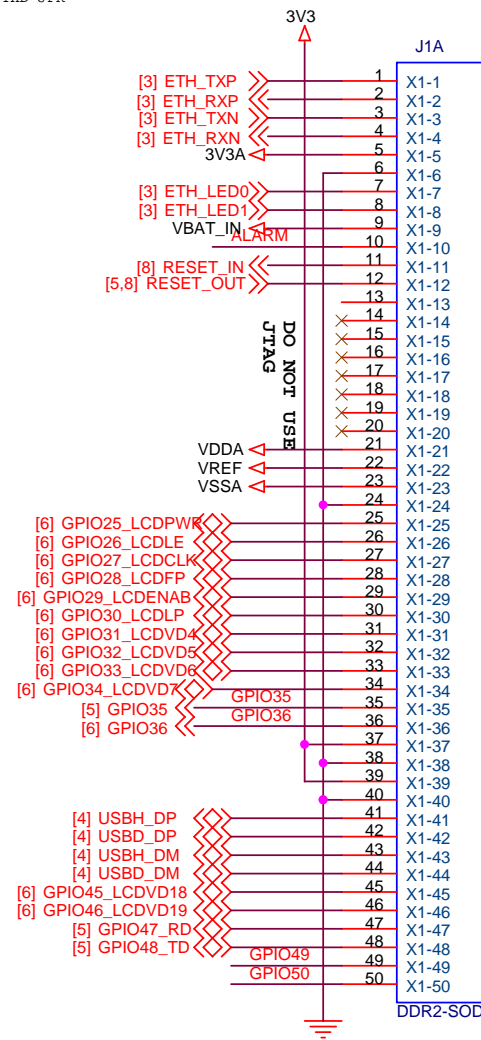


REVISION HISTORY		
DATE	REV	DESCRIPTION
01/14/09	1	INITIAL RELEASE
03/09/09	1.1	CORRECT USB HOST PULLDOWN VALUES
08/20/09	2	CORRECT ETHERNET LEDS, ADDED I2C AUDIO ADDED RS485, WIFI
9/8/09	2.1	CORRECT I2S AUDIO SIGNALS
9/14/09	2.2	DNL I2S AUDIO CIRCUITRY
10/22/09	2.3	CORRECT RS485 SIGNAL NAMES

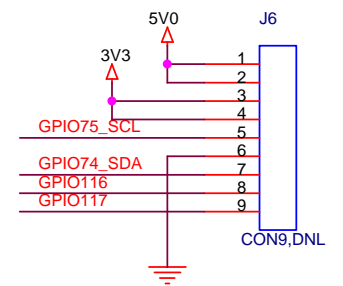
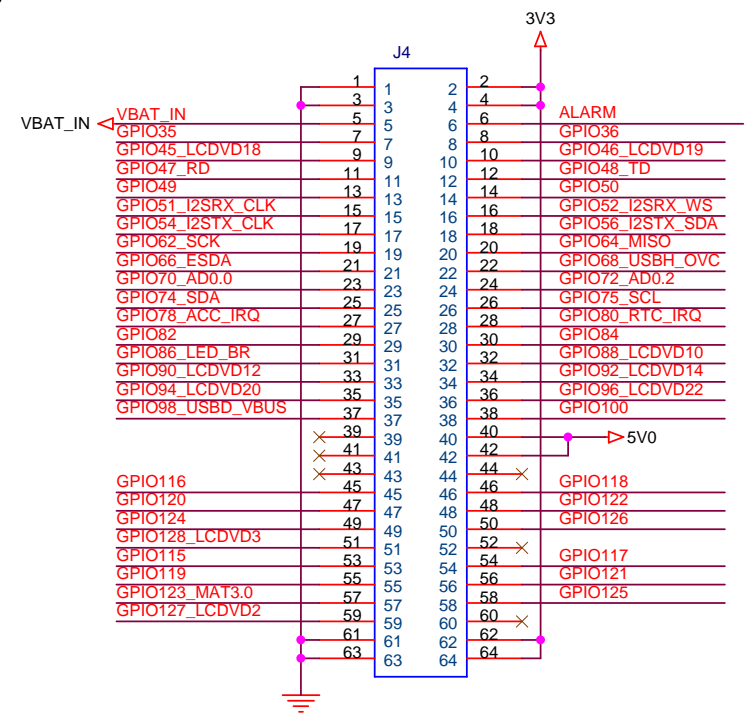
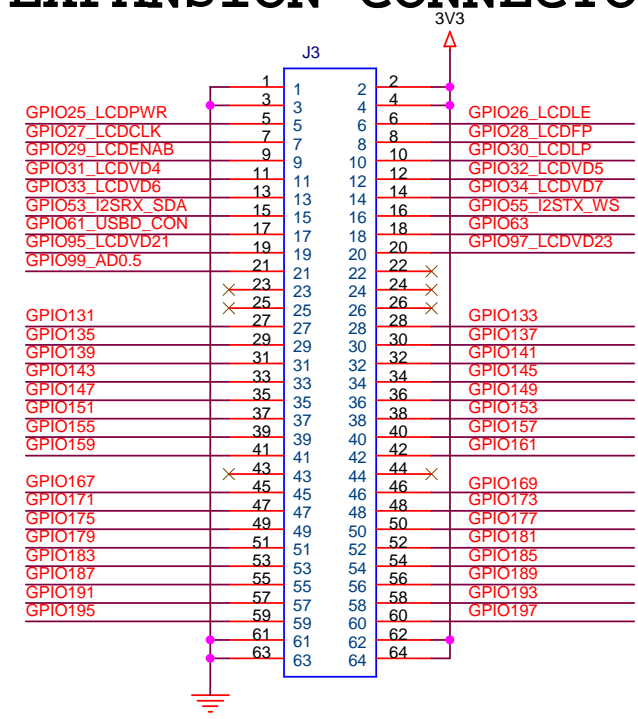
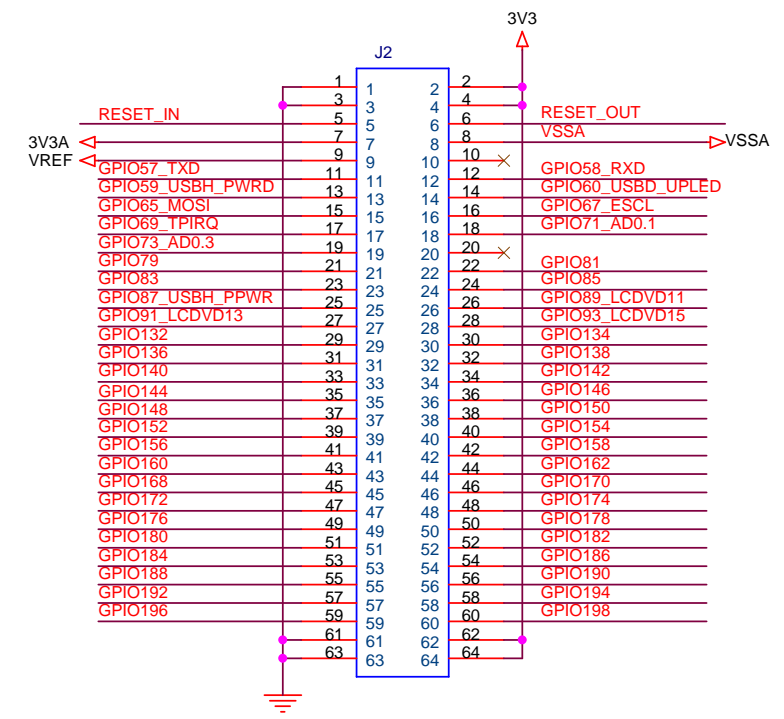


<b>Future Designs, Inc.</b> Huntsville, AL		<b>FDI</b>
Title CARRIER BOARD		
Size	Document Number <Doc>	Rev 2.3
Date: Wednesday, November 11, 2009		Sheet 1 of 9

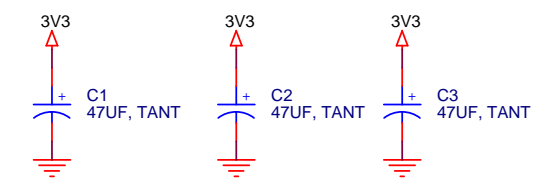


### DIMM SOCKET

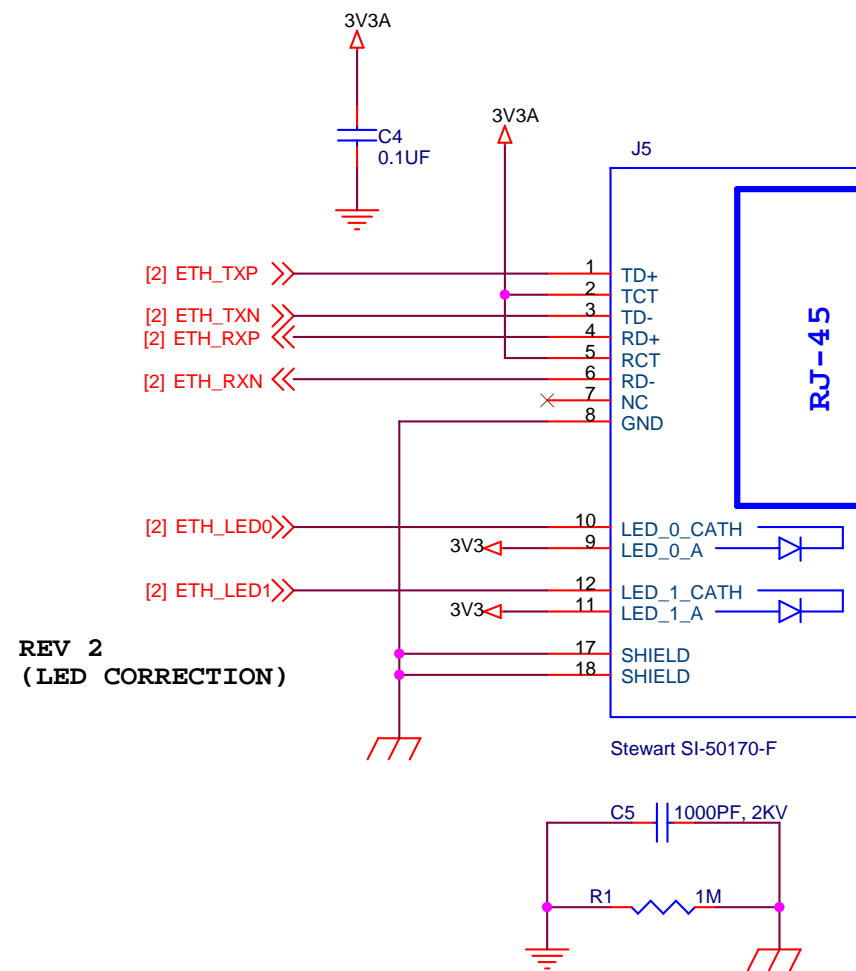
### EXPANSION CONNECTORS



### OPTIONAL EXTERNAL I2C HEADER

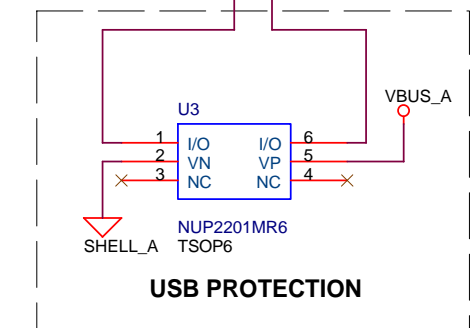
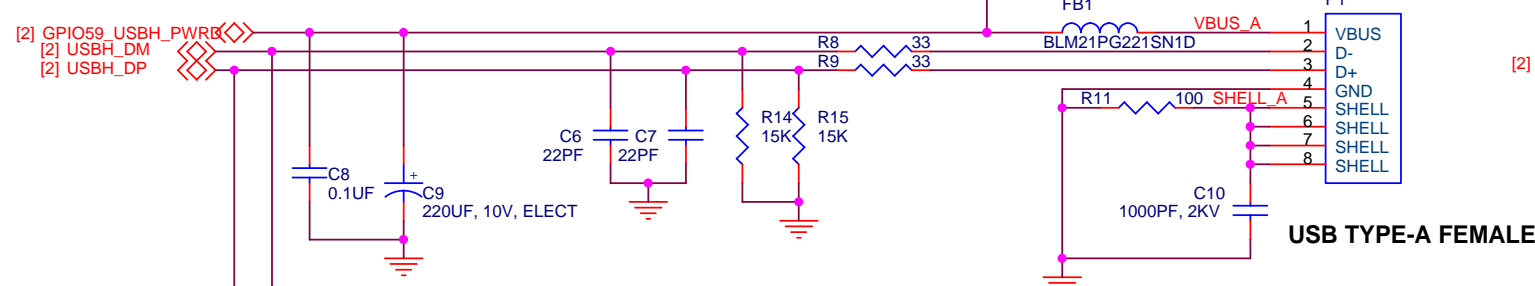
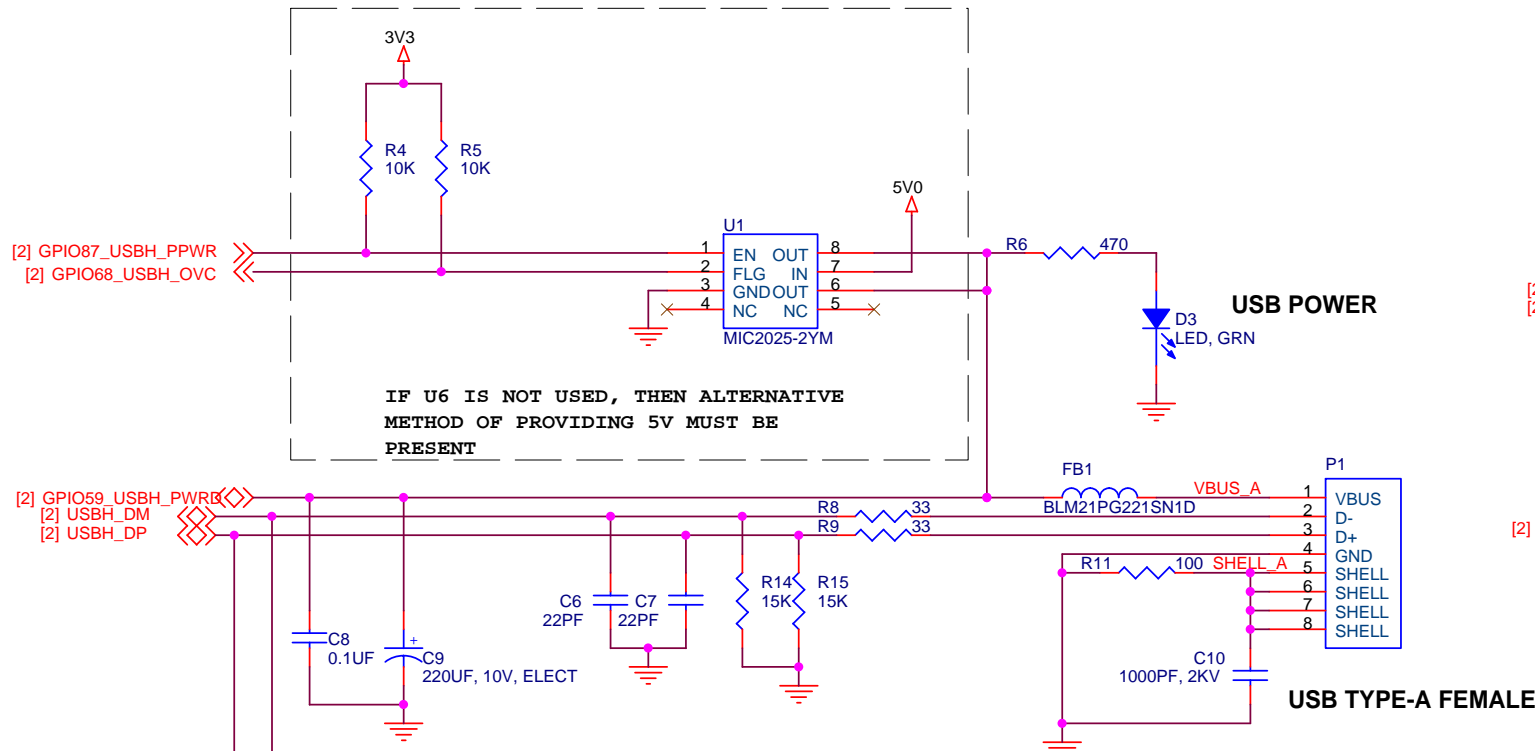


<b>Future Designs, Inc.</b> Huntsville, AL		
Title: CARRIER BOARD		
Size:	Document Number: <Doc>	Rev: 2.3
Date:	Wednesday, November 11, 2009	Sheet: 2 of 9

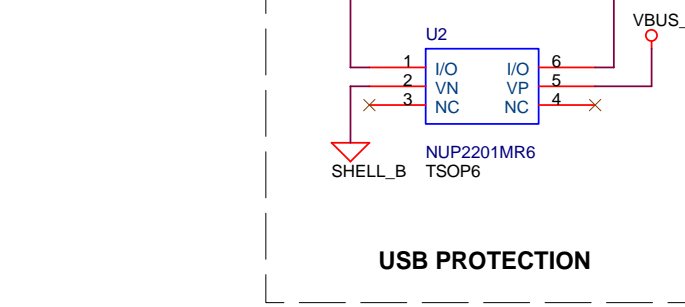
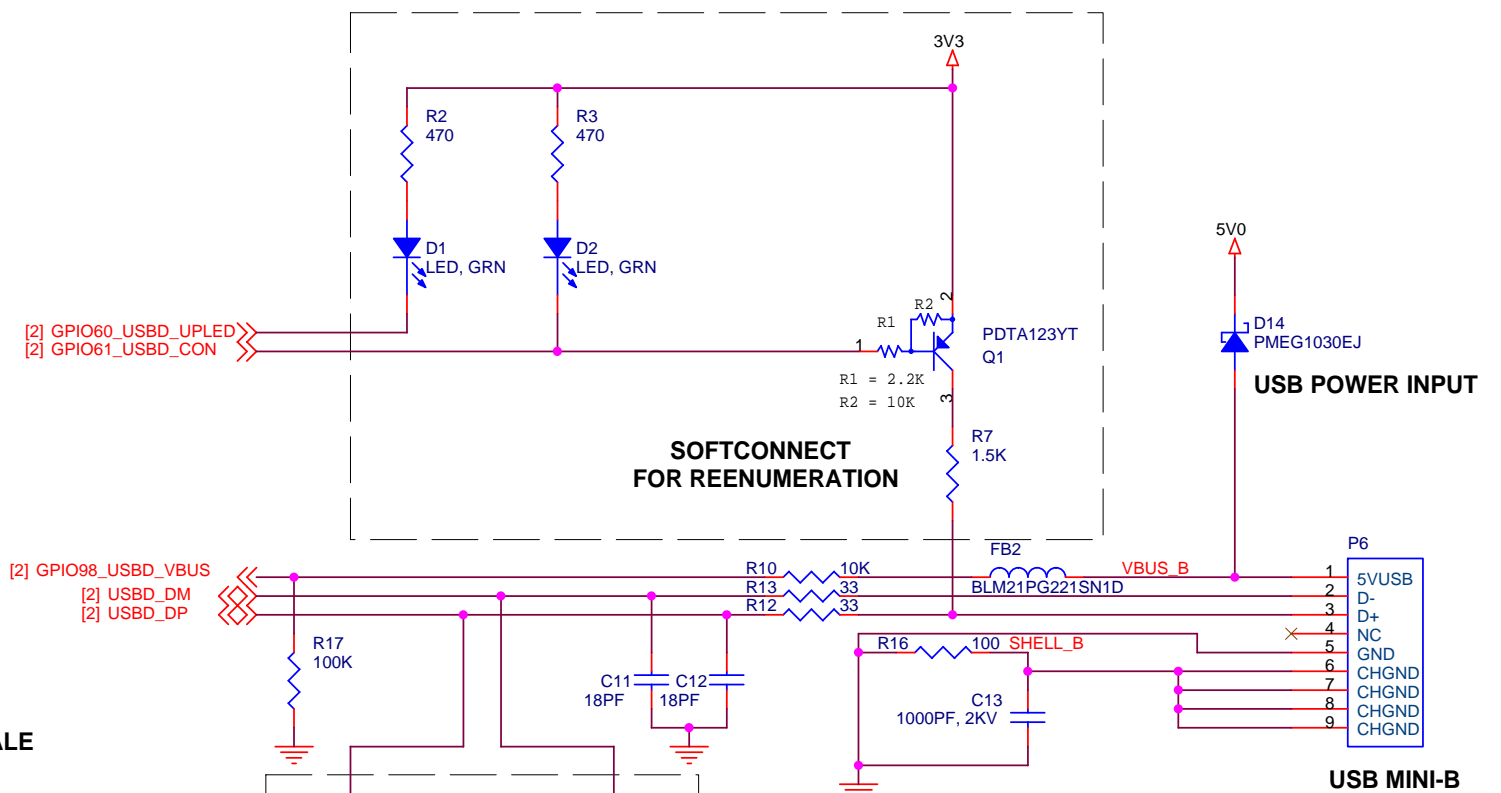


# ETHERNET

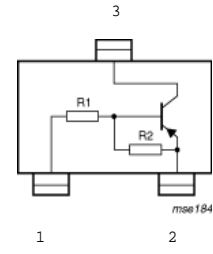
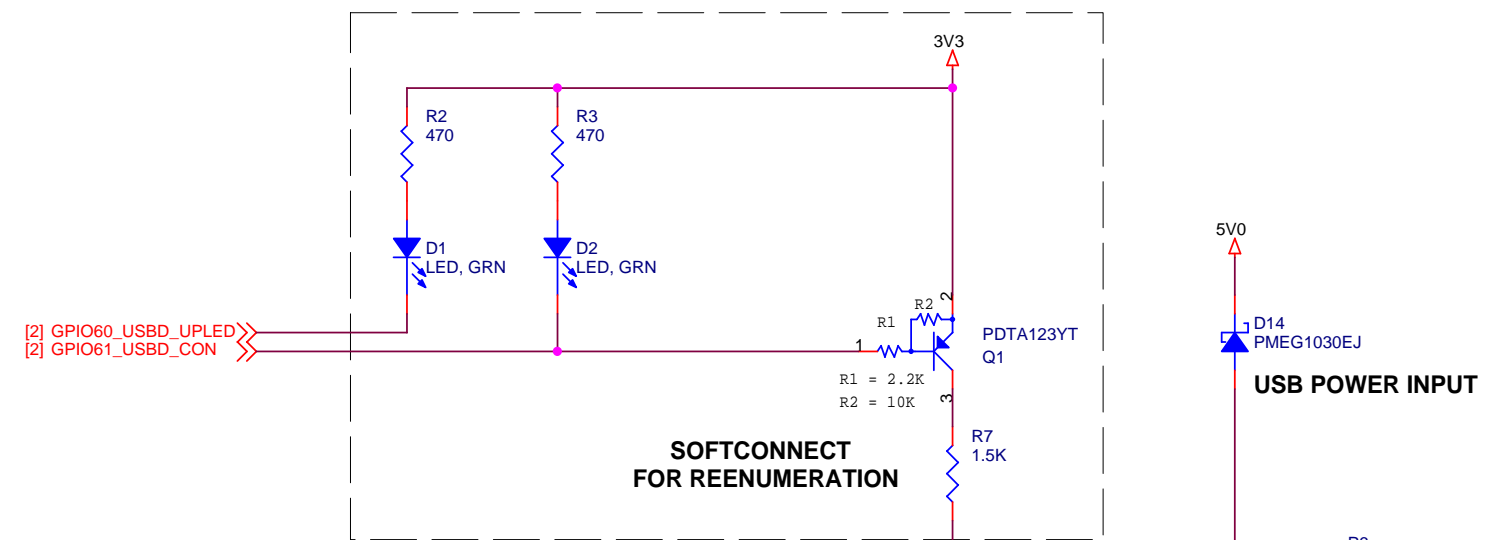
<i>Future Designs, Inc.</i> Huntsville, AL		<b>FDI</b>
Title CARRIER BOARD		
Size B	Document Number <Doc>	Rev 2.3
Date: Wednesday, November 11, 2009		Sheet 3 of 9



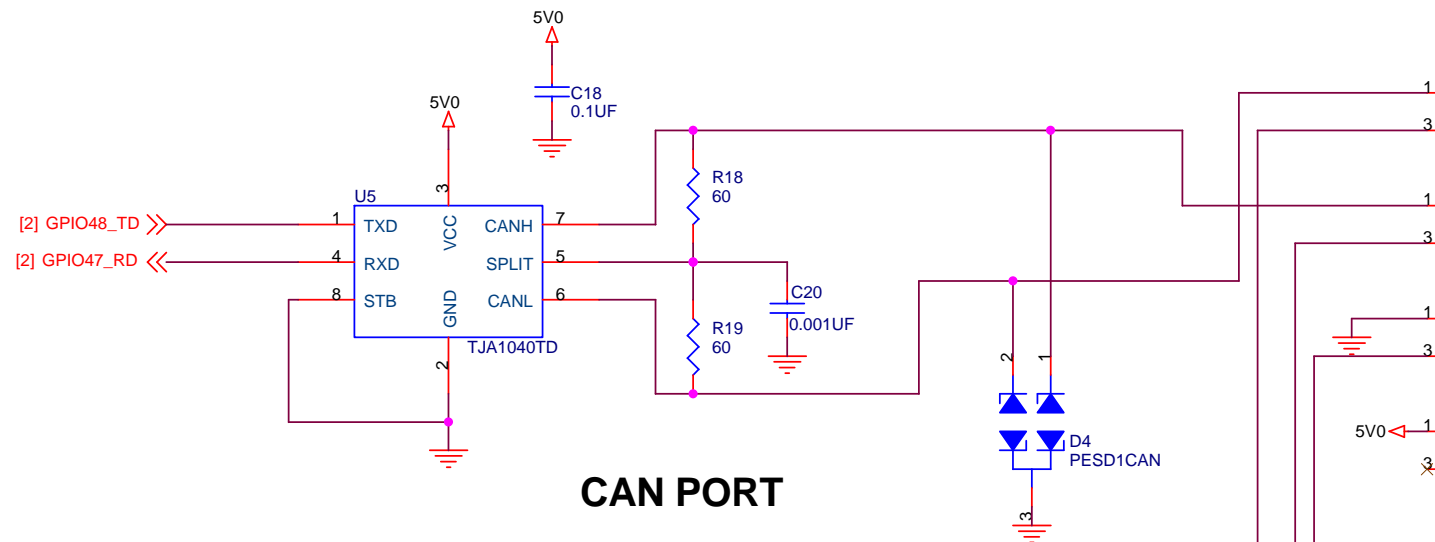
**USB HOST**



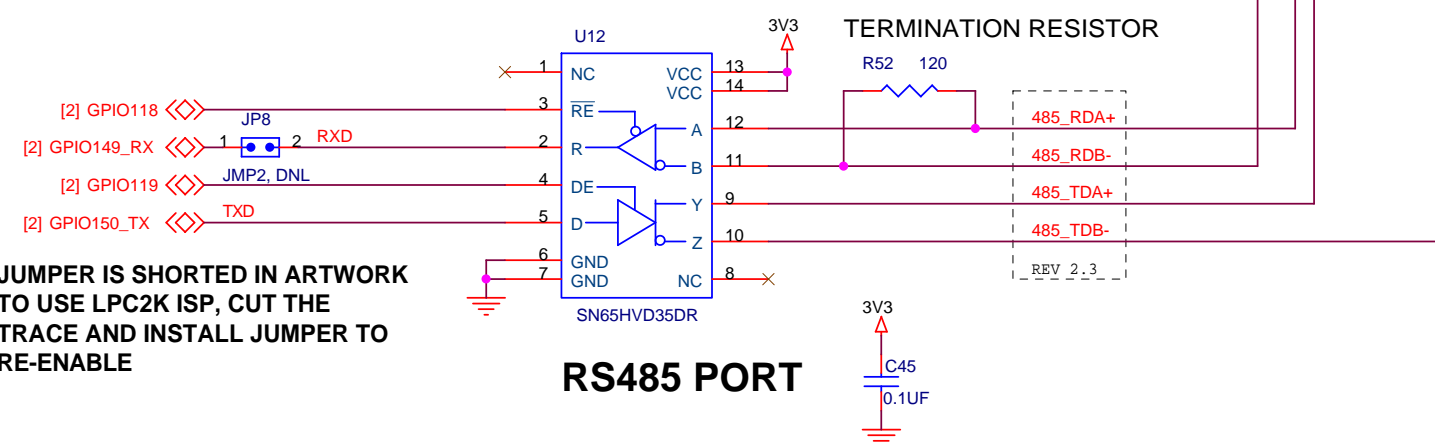
**USB DEVICE**



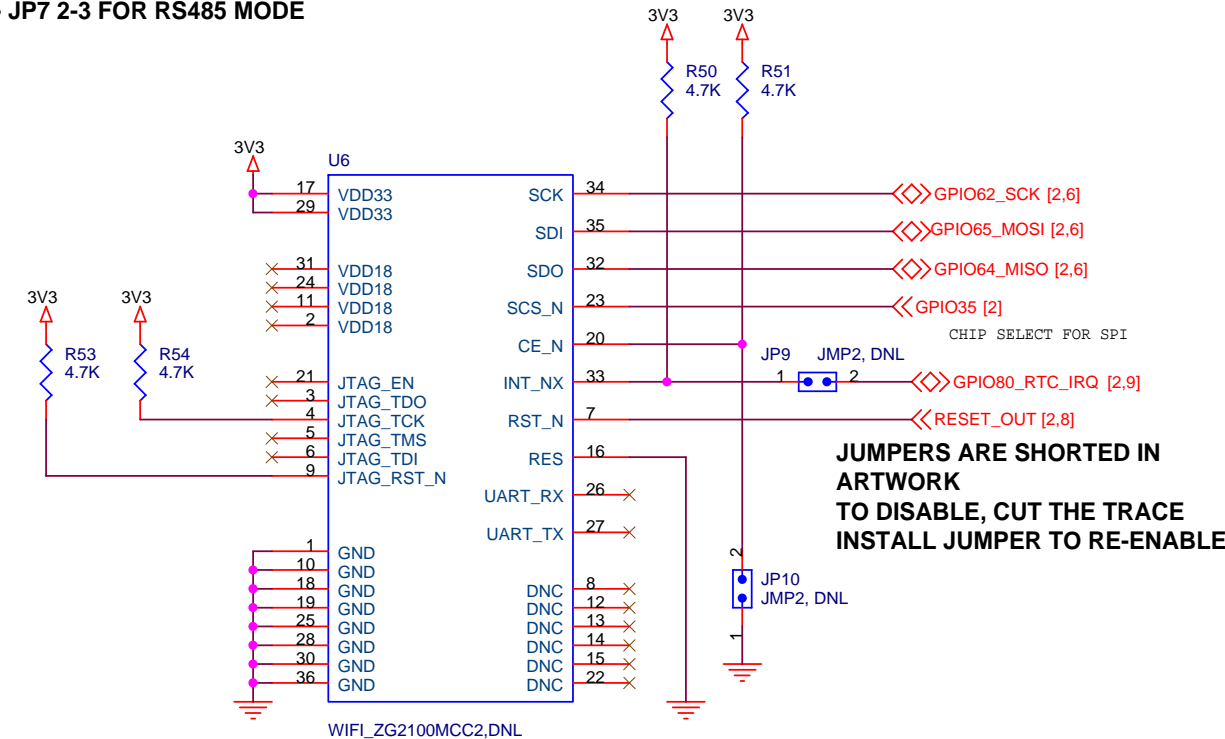
<b>Future Designs, Inc.</b> Huntsville, AL		<b>FDI</b>
Title: CARRIER BOARD		
Size: Custom<Doc>	Document Number:	Rev: 2.3
Date: Wednesday, November 11, 2009	Sheet: 4	of 9



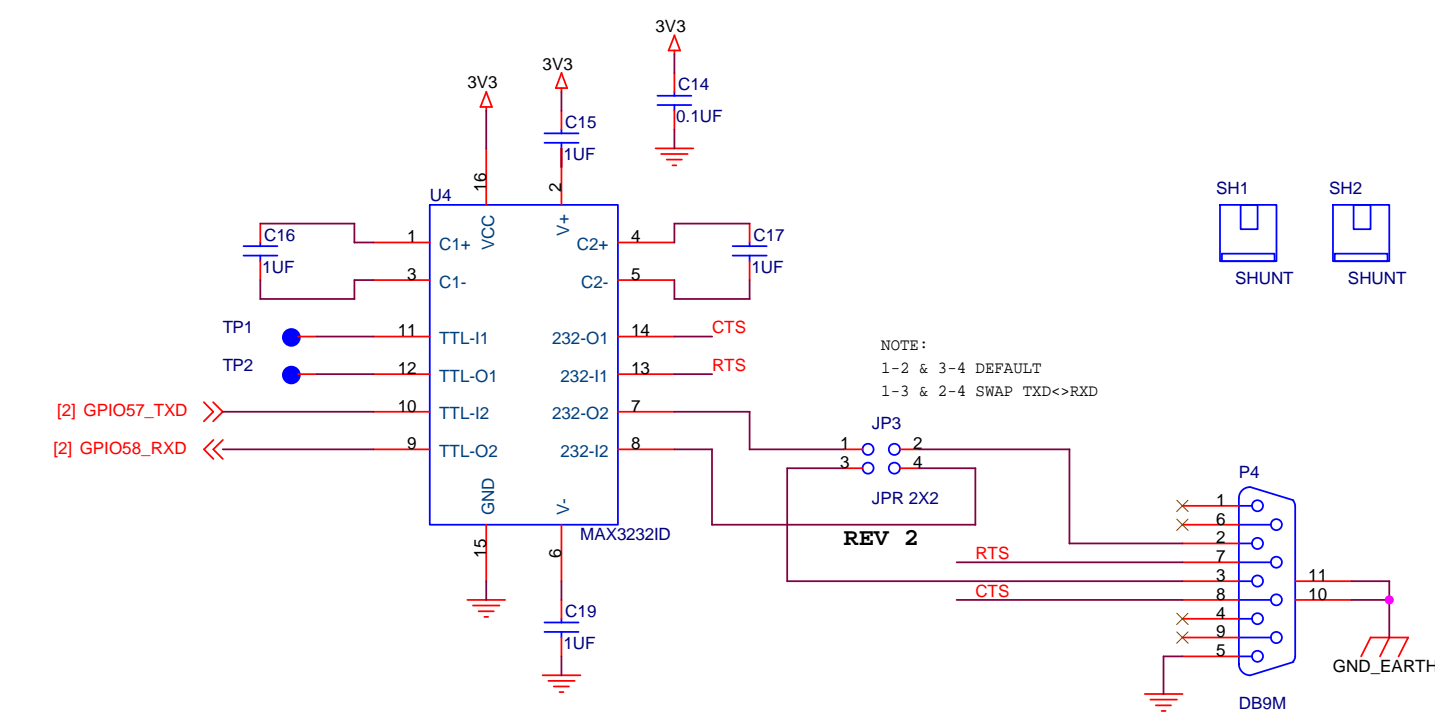
JUMPER JP4 - JP7 1-2 FOR CAN MODE  
 JUMPER JP4 - JP7 2-3 FOR RS485 MODE



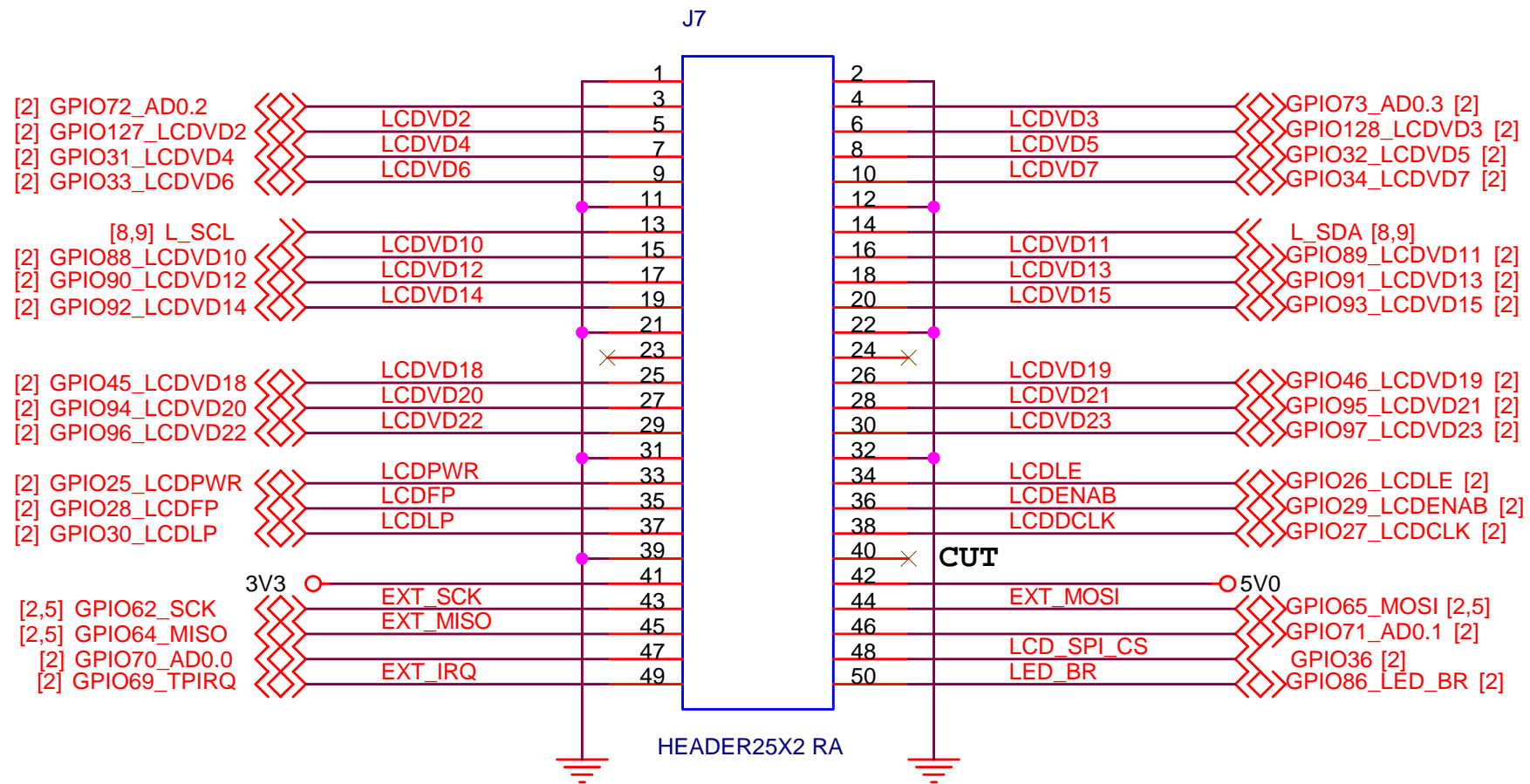
JUMPER IS SHORTED IN ARTWORK TO USE LPC2K ISP, CUT THE TRACE AND INSTALL JUMPER TO RE-ENABLE



JUMPERS ARE SHORTED IN ARTWORK TO DISABLE, CUT THE TRACE INSTALL JUMPER TO RE-ENABLE



<b>Future Designs, Inc.</b> Huntsville, AL		<b>FDI</b>
Title: CARRIER BOARD		
Size: Custom<Doc>	Document Number: <Doc>	Rev: 2,3
Date: Wednesday, November 11, 2009	Sheet: 5	of 9



## TO LCD INTERFACE BOARD

**NOTE: CUT PIN 40 FOR KEYING**

WHEN USING TI TOUCH IC:

- P0.15 = SCK0
- P0.16 = CS TO TI IC
- P0.17 = MISO0
- P0.18 = MOSI0
- P0.22 = TP IRQ
- P0.23 = UNUSED
- P0.24 = UNUSED
- P0.25 = UNUSED
- P0.26 = UNUSED

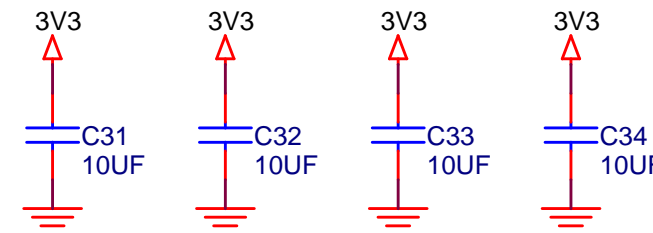
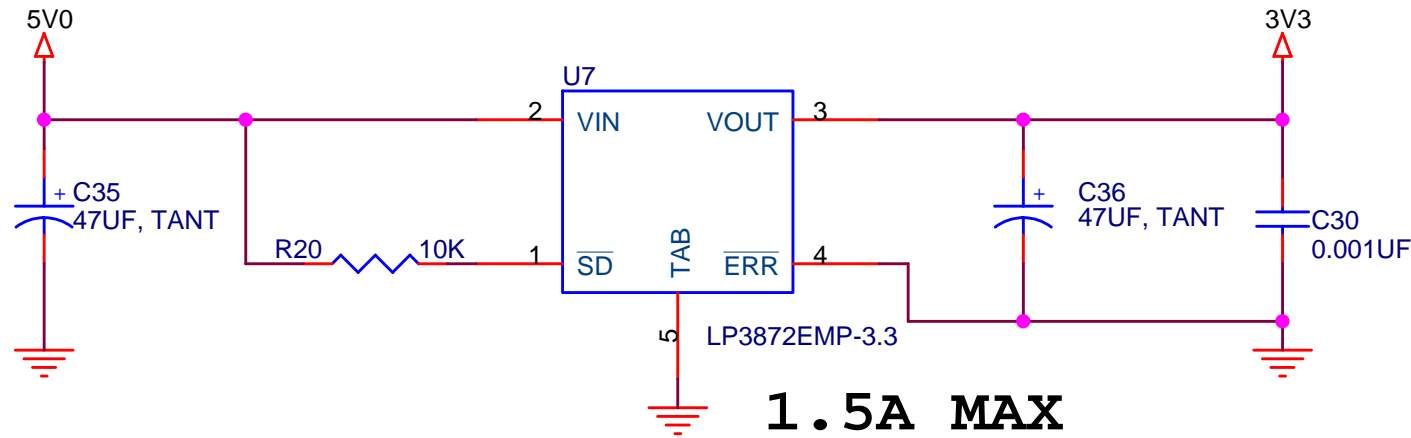
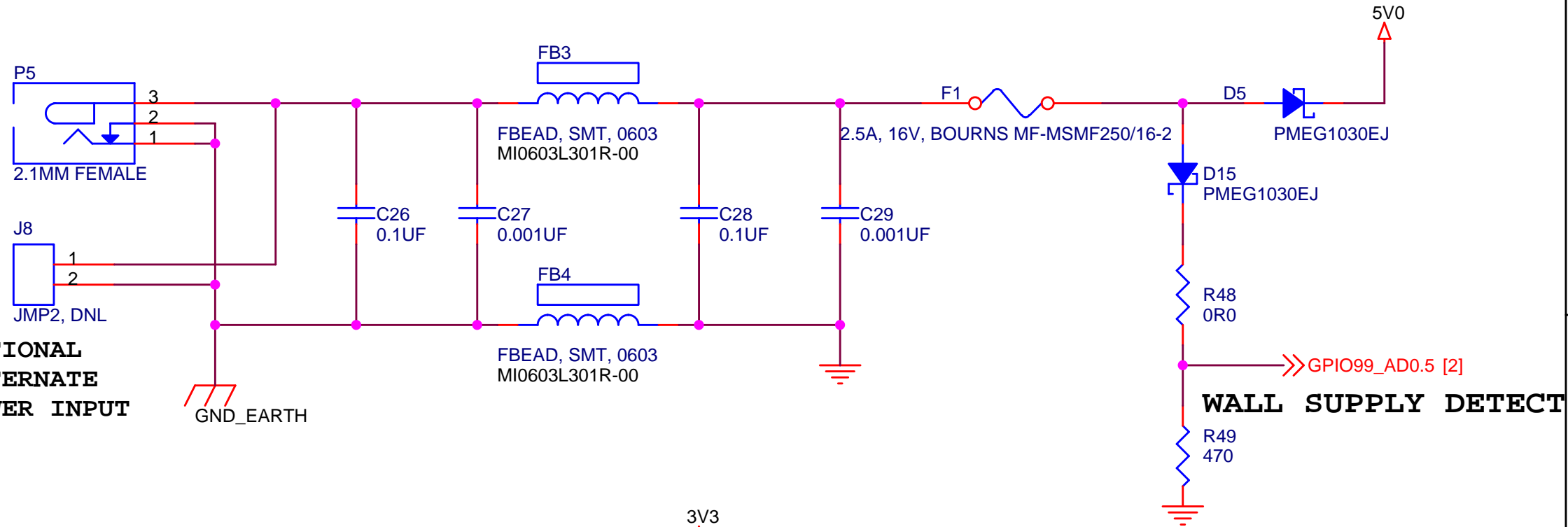
WHEN USING DISCRETE TOUCH INTERFACE:

- P0.15 = UNUSED
- P0.16 = UNUSED
- P0.17 = TP GPIO OUTPUT
- P0.18 = TP GPIO OUTPUT
- P0.22 = UNUSED
- P0.23 = TP AD0.0 INPUT/GPO (X-RIGHT)
- P0.24 = TP AD0.1 INPUT/GPO (Y-UP)
- P0.25 = TP GPIO (X-LEFT)
- P0.26 = TP GPIO (Y-DOWN)

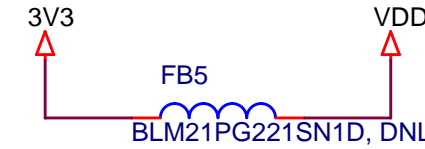
<b>Future Designs, Inc.</b> Huntsville, AL		
Title CARRIER BOARD		
Size A	Document Number <Doc>	Rev 2.3
Date: Wednesday, November 11, 2009		Sheet 6 of 9

**5V @ 2.6A  
CENTER  
POSITIVE**

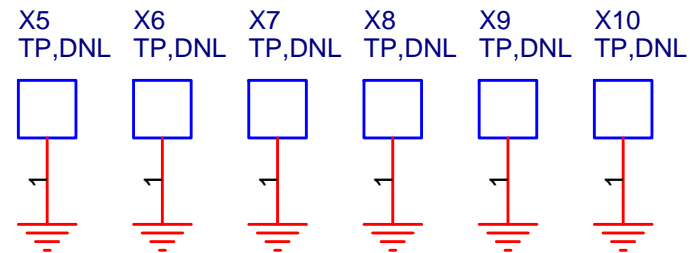
**OPTIONAL  
ALTERNATE  
POWER INPUT**



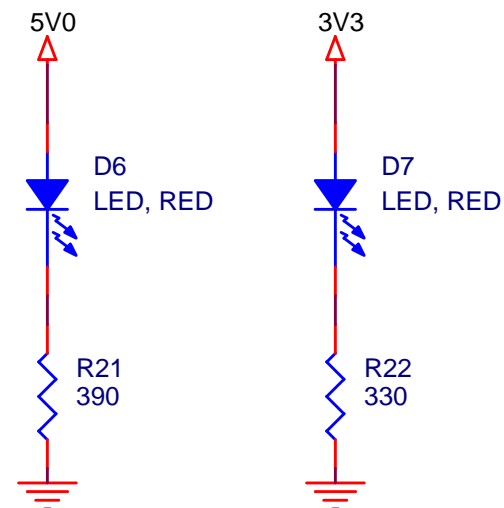
M1  
AC Adapter, 5V DC REG, 2.6A, International



**OPTIONAL ANALOG VDD SUPPLY**



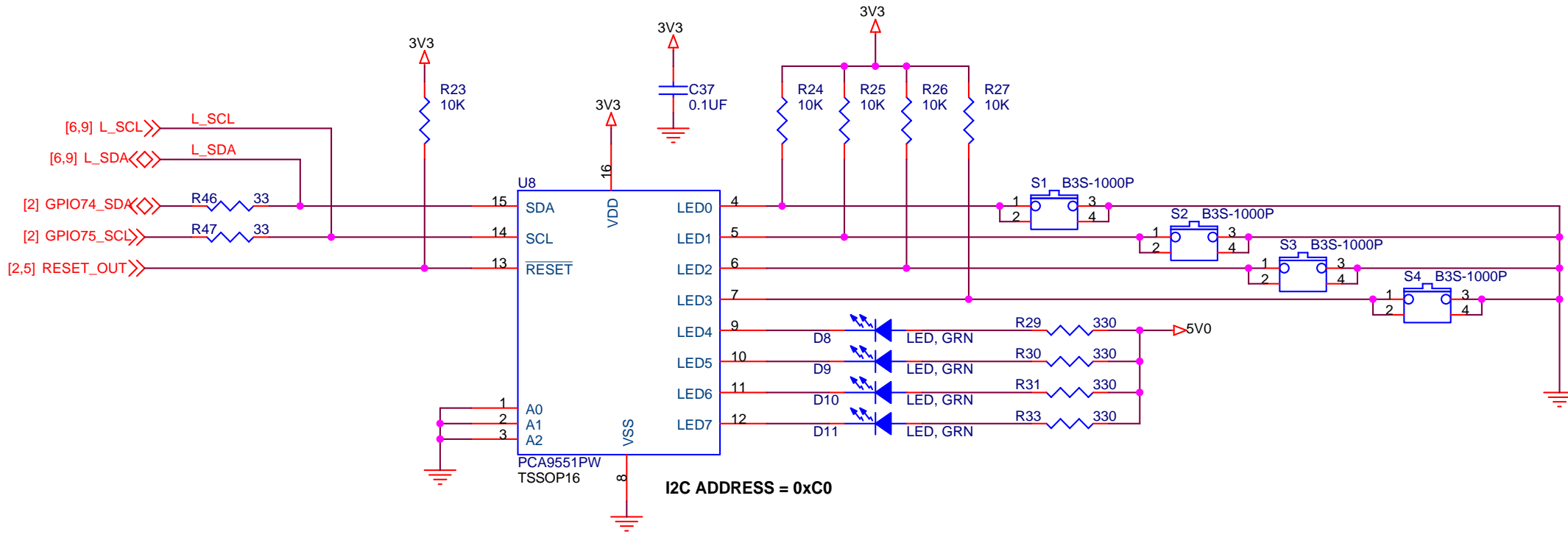
**GROUND POINTS**



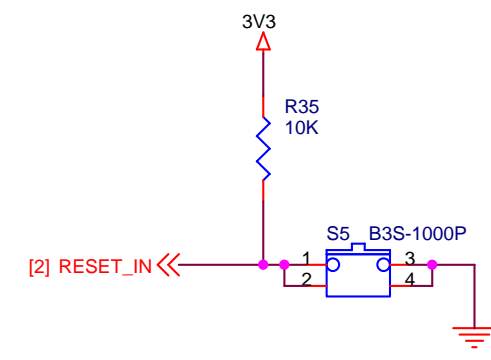
*Future Designs, Inc.*  
Huntsville, AL



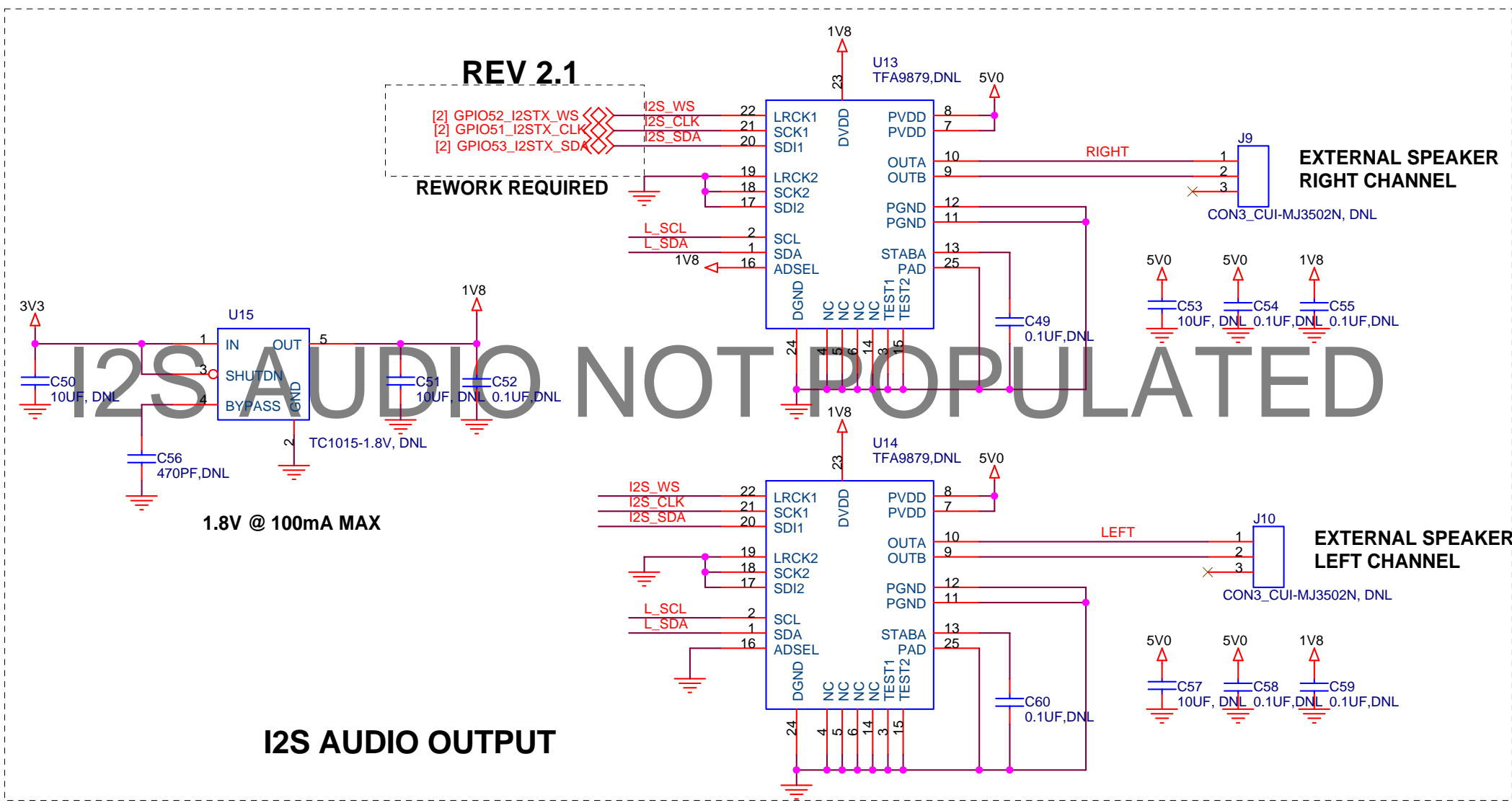
Title		Rev
CARRIER BOARD		
Size	Document Number	2.3
A	<Doc>	
Date:	Wednesday, November 11, 2009	Sheet 7 of 9



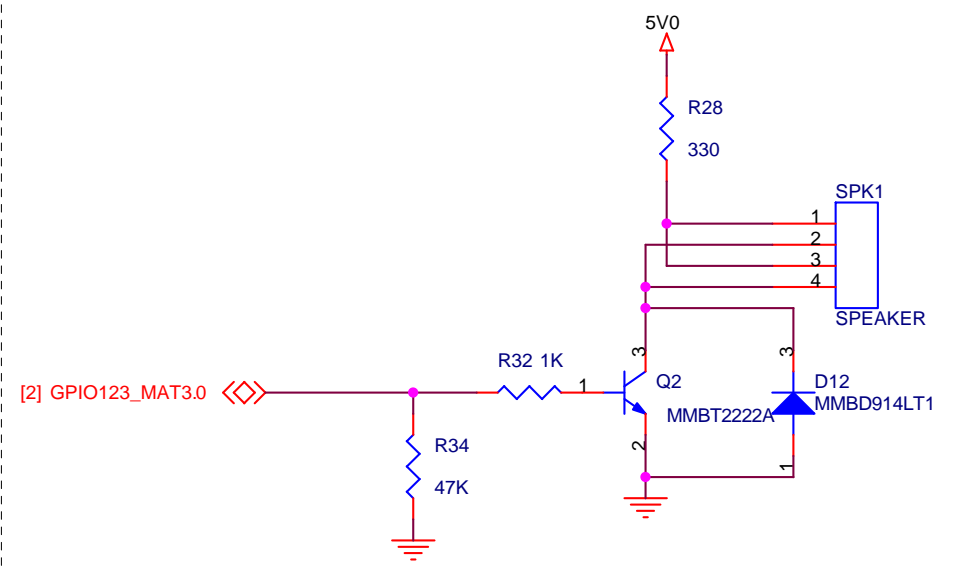
I2C GPIO - LEDs AND SWITCHES



RESET



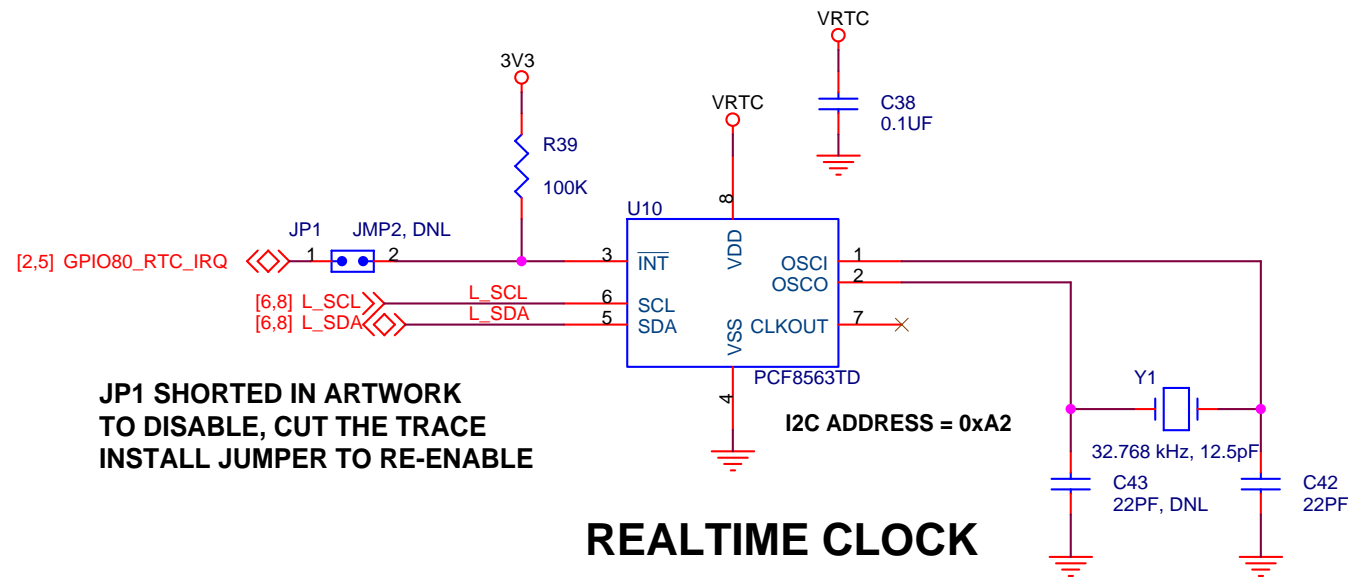
I2S AUDIO OUTPUT



SPEAKER  
16 OHM, 2.4KHZ

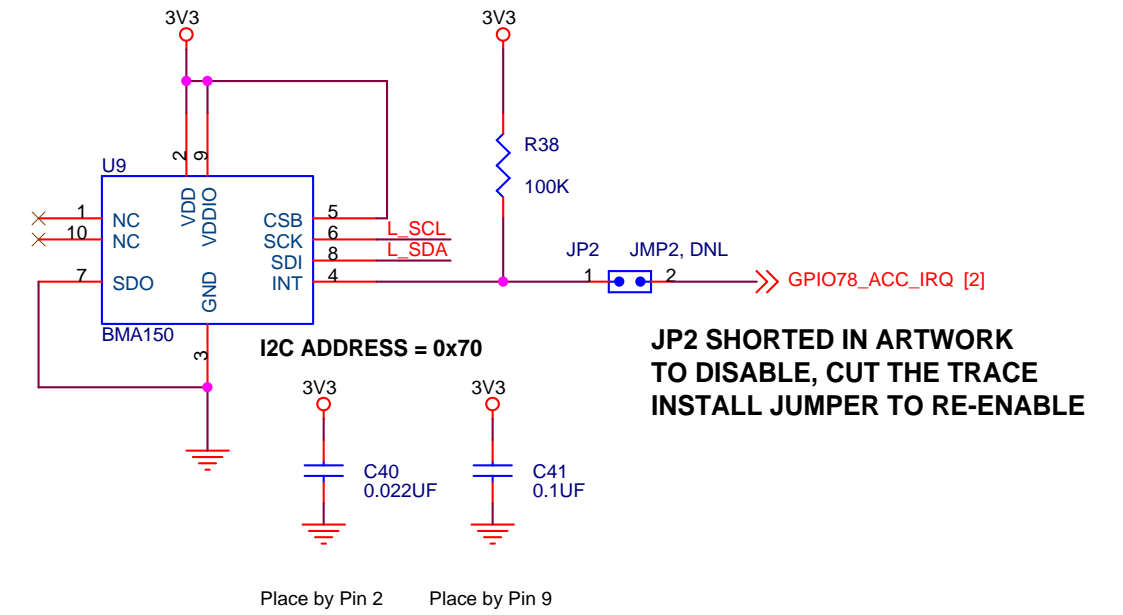
<b>Future Designs, Inc.</b> Huntsville, AL		<b>FDI</b>
Title: CARRIER BOARD		
Size: B	Document Number: <Doc>	Rev: 2.3
Date: Wednesday, November 11, 2009	Sheet: 8	of 9





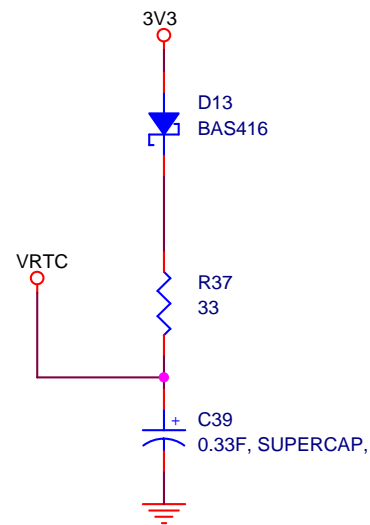
JP1 SHORTED IN ARTWORK  
TO DISABLE, CUT THE TRACE  
INSTALL JUMPER TO RE-ENABLE

### REALTIME CLOCK

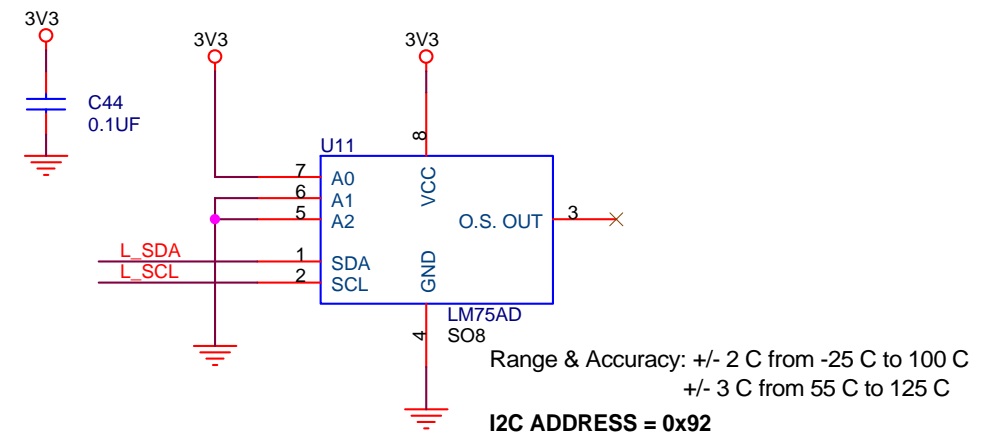


JP2 SHORTED IN ARTWORK  
TO DISABLE, CUT THE TRACE  
INSTALL JUMPER TO RE-ENABLE

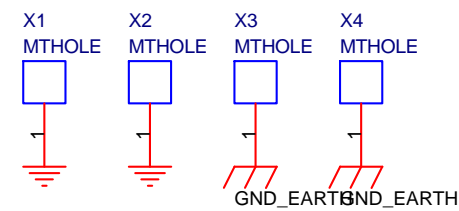
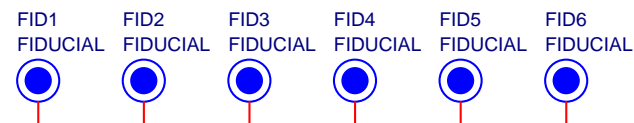
### 3-AXIS ACCELEROMETER



### SUPERCAP BACKUP FOR RTC



### TEMP SENSOR



<b>Future Designs, Inc.</b> Huntsville, AL		<b>FDI</b>
Title CARRIER BOARD		
Size B	Document Number <Doc>	Rev 2.3
Date: Wednesday, November 11, 2009	Sheet 9	of 9