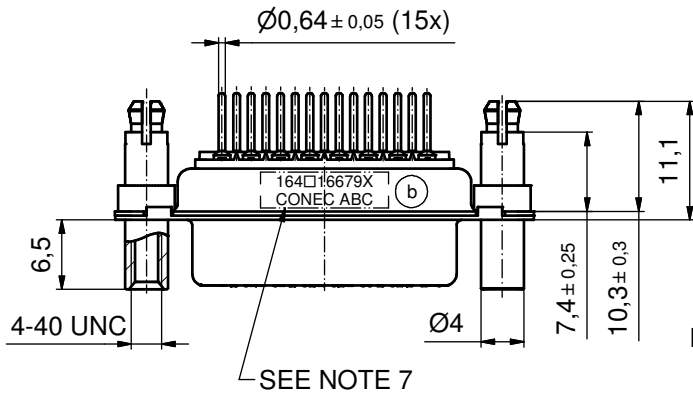
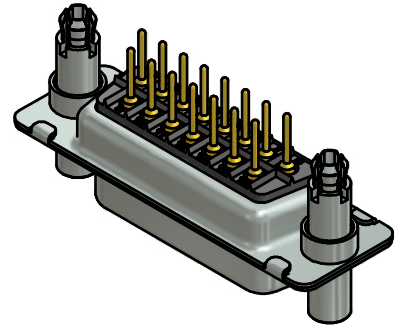
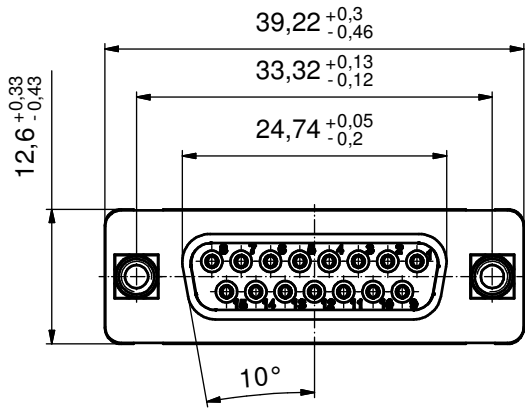
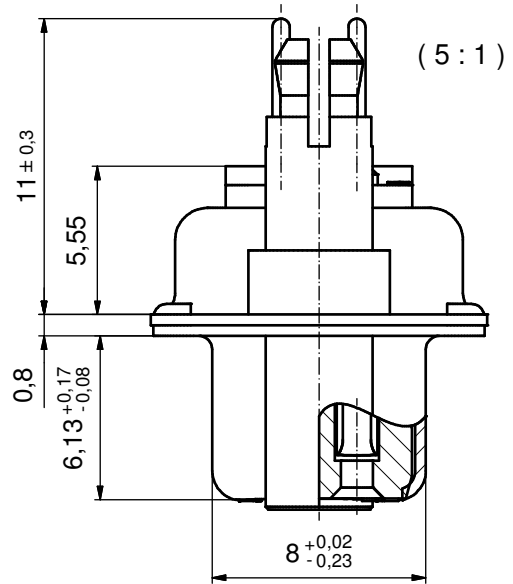


P.C.B. HOLE DRILLINGS
(P.C.B. TOP SIDE)



SEE NOTE 7

NOTES:

- METALSHELLS: STEEL; min. 315µm TIN over 40-80µm NICKEL
- INSULATORS: PBT GF UL 94 V-0; BLACK
- SIGNAL CONTACTS: COPPER ALLOY; PLATING (SEE PART NO.):
 PLEASE ADD A for GOLD FLASH over NICKEL (PREFERRED TYPE)
 PLEASE ADD B for 20µm HARD GOLD over min. 50µm NICKEL
 PLEASE ADD C for 30µm HARD GOLD over min. 50µm NICKEL
- THREADED LOCK AND SPACER CLIPS: COPPER ALLOY;
min. 200µm TIN over 80µm NICKEL
PCB-HOLES: $\phi 3,1 \pm 0,1$; PCB THICKNESS 1,6mm
- COLLARS: COPPER ALLOY; min. 200µm TIN over 80µm NICKEL
- MAXIMUM TORQUE VALUE FOR THREAD: 6 in.LB
- CONNECTOR IS PART MARKED: 164□16679X CONEC ABC (see note 3)

Directive 2002/95/EC RoHS compliant

THIS DRAWING MAY NOT BE COPIED OR REPRODUCED IN ANY WAY, AND MAY NOT BE PASSED ON TO A THIRD PARTY WITHOUT WRITTEN PERMISSION. OWNERSHIP AND COPYRIGHT OF CONEC GmbH

DO NOT ALTER CAD DRAWING BY HAND

| | | | | tolerance | | dim. in mm |
|-------|-------------|------------|------|-----------|-------------------|------------|
| | | | | date | name | |
| | | | | drawn | 04.07.13 | Henneboel |
| | | | | appd. | 08.07.13 | Fischer |
| | | | | norm | | |
| | | | | d-old | 16K1IKWA/16K2IKWA | |
| 3 x b | A4824 | 04.07.2013 | K.H. | | | |
| a | Original | | | | | |
| rev. | description | date | name | | | |

| | | |
|-----------|---|--------|
| scale: | 2:1 (5:1) | |
| material: | SEE NOTES | |
| title: | D-SUB FEMALE 15pos. SOLDER PIN STRAIGHT with threaded lock and spacer clip | |
| dwg no: | (b) 16K1A3270 | DIN-A3 |
| part no: | 164□16679X (see note 3) | sh: 1 |