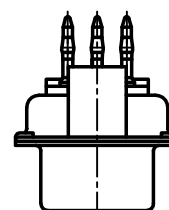
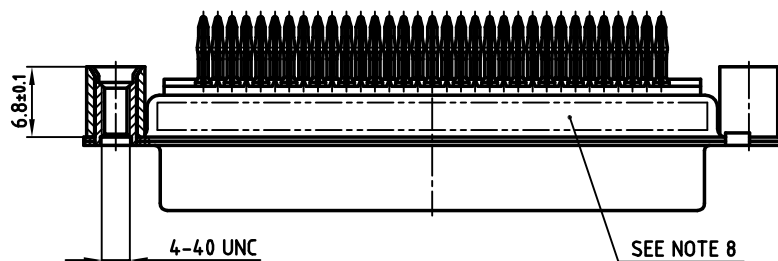
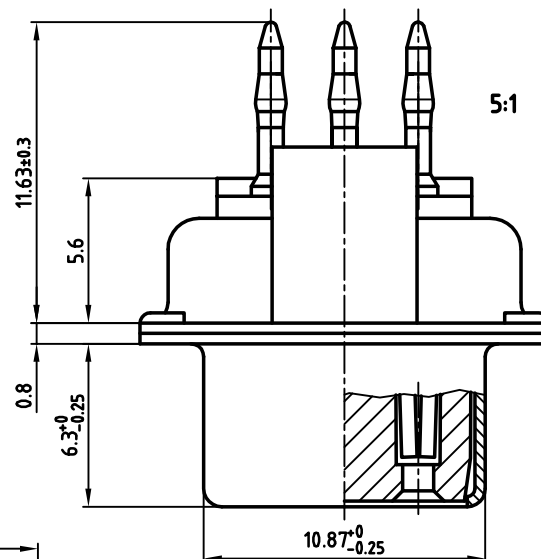
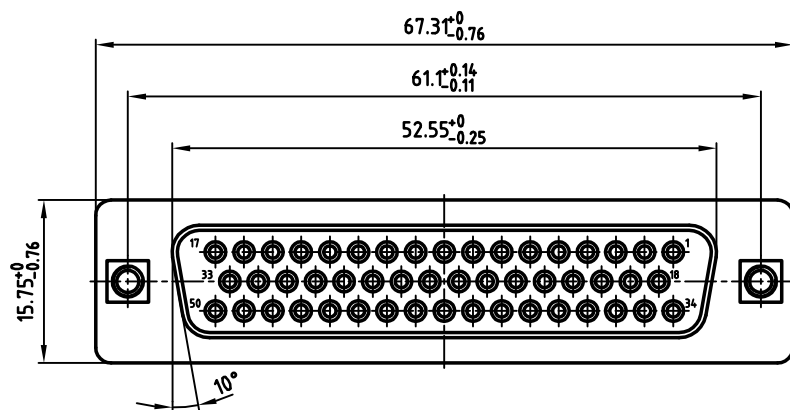


used for: D-SUB



CONNECTOR SHOULD BE FIXED WITH SCREWS TO THE P.C.B.

NOTES:

1. METALSHELLS: STEEL; min. 315µin TIN OVER 40-80µin NICKEL
2. INSULATORS: PBT GF UL 94 V-0, BLACK
3. PRESS-FIT CONTACTS: COPPER ALLOY
PLATING-MATING SIDE+REAR SIDE:
8µin HARD GOLD OVER min. 50µin NICKEL
P.C.B. THICKNESS: min. 2.2mm
4. THREADED REAR SPACER: COPPER ALLOY; min. 200µin TIN OVER 80µin NICKEL
5. SLEEVE: COPPER ALLOY; min. 200µin TIN OVER 80µin NICKEL
6. P.C.B. HOLE DRILLINGS ON SHEET 2
7. MAXIMUM TORQUE VALUE FOR THREAD: 6 in.LB
8. CONNECTOR IS PART MARKED: DSS5XSFAA48B CONEC ABC

Directive 2002/95/EC
RoHS-Compliant

APPROVAL * FREIGABE * DEBLOCAGE * AUTORIZACION * APPROVAL	
CUSTOMER APPROVAL DATE:	
NAME:	TITLE:
COMPANY NAME:	
APPROVAL * FREIGABE * DEBLOCAGE * AUTORIZACION * APPROVAL	

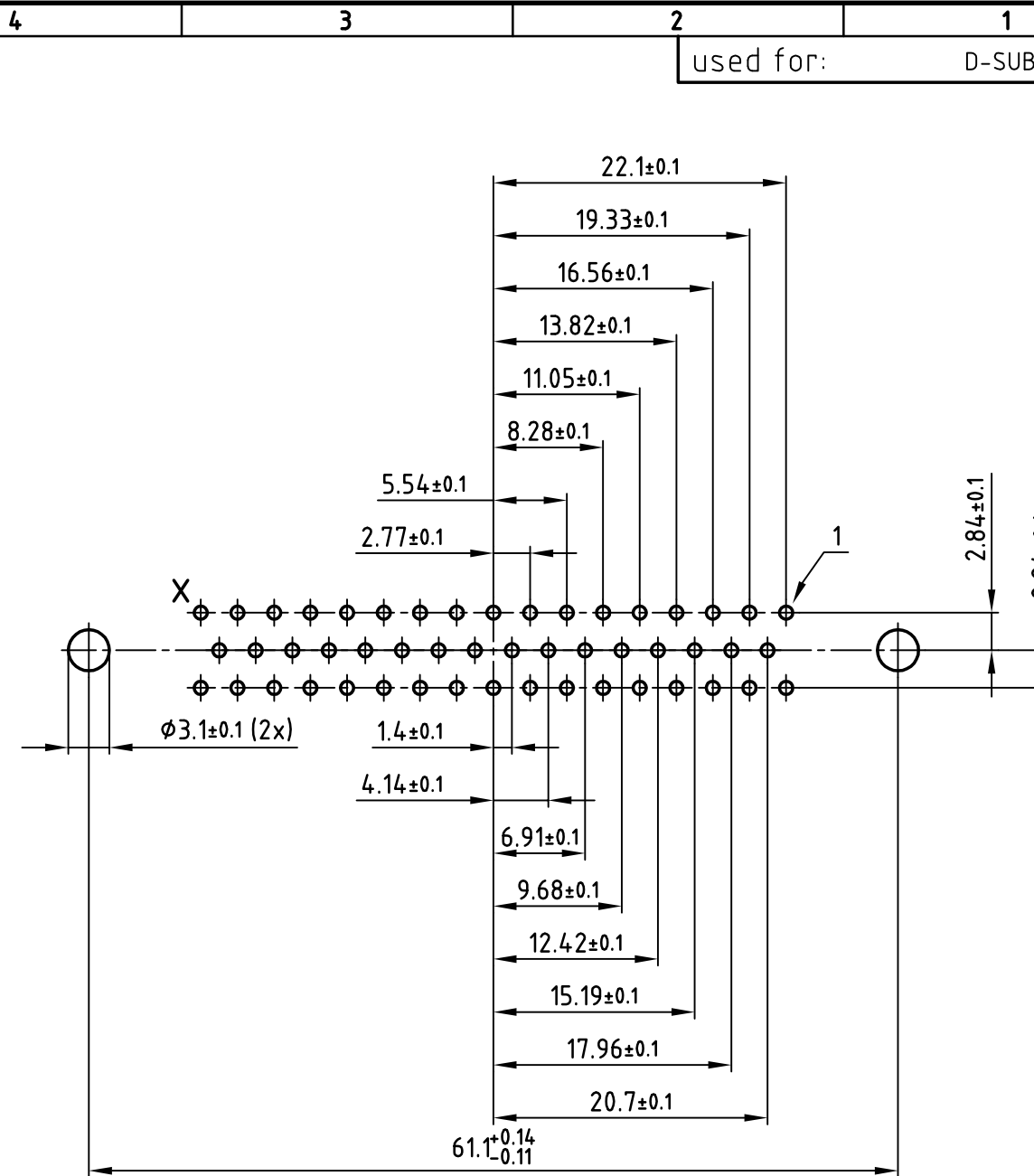
THIS DRAWING MAY NOT BE COPIED OR REPRODUCED IN ANY WAY, AND MAY NOT BE PASSED ON TO A THIRD PARTY, WITHOUT WRITTEN PERMISSION.
OWNERSHIP AND COPYRIGHT OF CONEC GmbH
DO NOT ALTER CAD DRAWING BY HAND

rev.	description	date	name
a	Origin		

tolerance		dim. in mm
2007	date	
drawn	22.01.	name
appd.	22.01.	Lehmenkühler
norm		
d-old		

scale:	2:1 (5:1)	
material:	SEE NOTES	
title:	D-SUB FEMALE 50pos. PRESSFIT TYPE with threaded rear spacer	
dwg no:	AutoCAD 2006	DIN-A
	16K1A1964	3
part no:	DSS5XSFAA48B	
		sh:1/2





Tin thickness 15µm (600µ") maximum X 5:1
 Copper thickness 25µm (1000µ") minimum

APPROVAL # FREIGABE # DEBLOCAGE # AUTORIZACION # APPROVAL

CUSTOMER APPROVAL DATE:

NAME: TITLE:

COMPANY NAME:

APPROVAL # FREIGABE # DEBLOCAGE # AUTORIZACION # APPROVAL

THIS DRAWING MAY NOT BE COPIED OR REPRODUCED IN ANY WAY, AND MAY NOT BE PASSED ON TO A THIRD PARTY WITHOUT WRITTEN PERMISSION. OWNERSHIP AND COPYRIGHT OF CONEC GmbH DO NOT ALTER CAD DRAWING BY HAND

tolerance		dim. in mm	
2007	date	name	
drawn	22.01.	Schwenkler	
appd.	22.01.	Lehmenkühler	
norm			
d-old			
a	Origin		
rev.	description	date	name



scale:	2:1 (5:1)	
material:	SEE SHEET 1	
title:	P.C.B. HOLE DRILLINGS D-SUB FEMALE 50pos. PRESS-FIT TYPE with threaded rear spacer	
dwg no:	AutoCAD 2006	DIN-A
	16K1A1964	4
part no:	SEE SHEET 1	
		sh:2/2