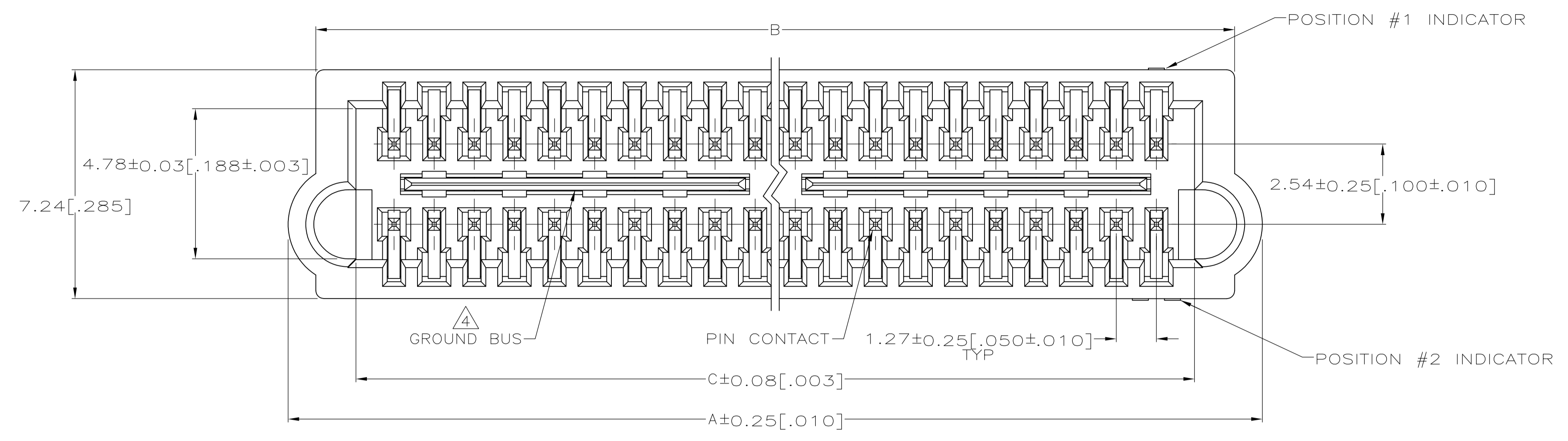
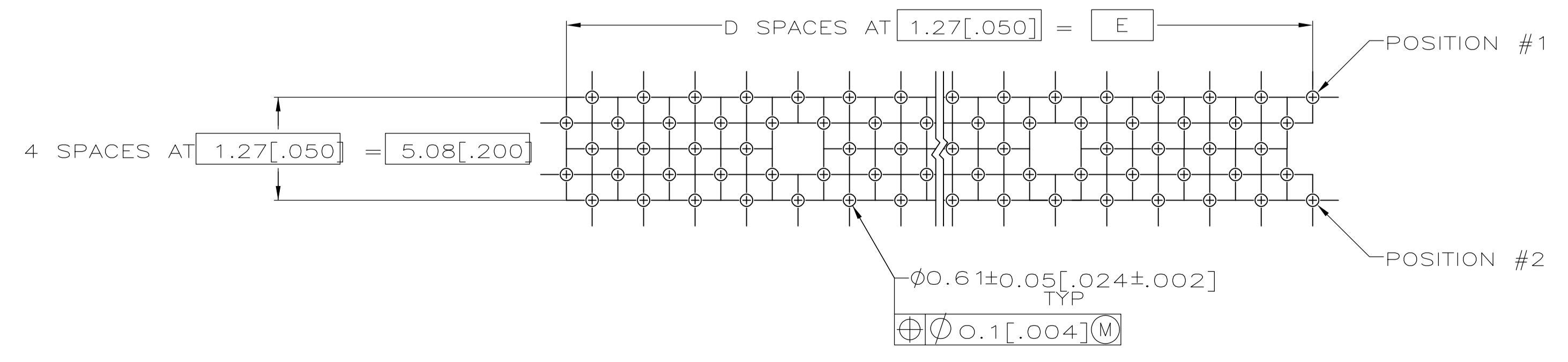
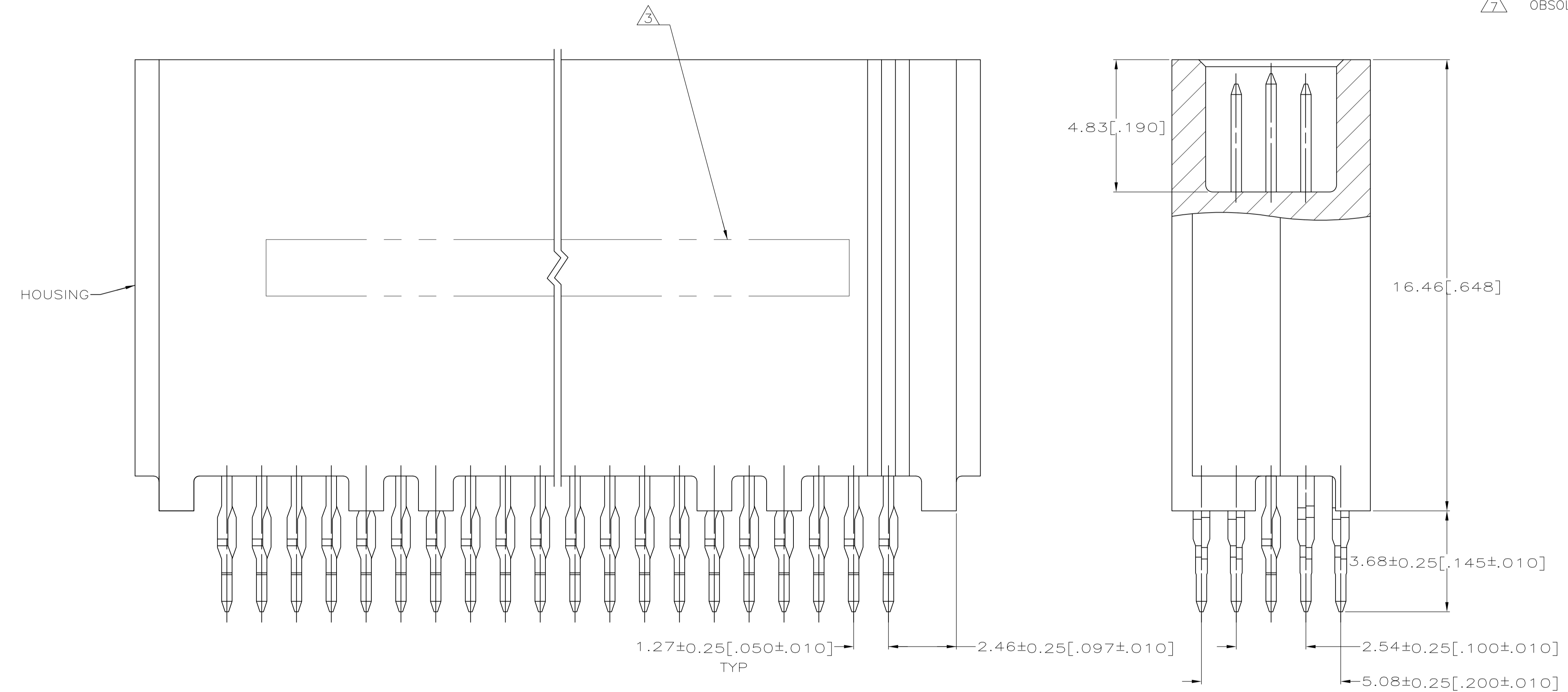


REVISIONS					
P	LTR	DESCRIPTION	DATE	OWN	APVD
D		REVISED PER ECO-16-010704	20JUL2016	SY	SY



- 1 HOUSING: HIGH TEMPERATURE THERMOPLASTIC, COLOR NATURAL OR LIGHT NATURAL.
PIN CONTACTS: PHOSPHOR BRONZE.
GROUND BUSSES: PHOSPHOR BRONZE.
- 2 PIN CONTACTS: 0.00076[.000030] MIN GOLD IN CONTACT AREA,
0.00063-0.00191[.000025-.000075] TIN-LEAD ON SOLDER TAIL,
ALL OVER 0.00127-0.00254[.000050-.000100] NICKEL ON ENTIRE CONTACT.
- 3 GROUND BUSSES: 0.00076[.000030] MIN GOLD IN CONTACT AREA,
0.00063-0.00191[.000025-.000075] TIN-LEAD ON SOLDER TAIL,
ALL OVER 0.00127-0.00254[.000050-.000100] NICKEL ON ENTIRE BUS.
- 4 AMP AND DATE CODE MARKED IN AREA INDICATED, ON SAME SIDE AS POSITION NUMBER 2 INDICATOR.
- 5 OBSOLETE
- 7 OBSOLETE PARTS: OBSOLETE CIS STREAMLINING PER D.RENAUD/D.SINISI



POS	PLC	NO OF POS	PART NUMBER
99	125.73[4.950]	200	149013-9
89	113.03[4.450]	180	149013-8
79	100.33[3.950]	160	149013-7
69	87.63[3.450]	140	149013-6
59	74.93[2.950]	120	149013-5
49	62.23[2.450]	100	149013-4
39	49.53[1.950]	80	149013-3
29	36.83[1.450]	60	149013-2
19	24.13[.950]	40	149013-1
E			
D			
C			
B			
A			

THIS DRAWING IS A CONTROLLED DOCUMENT.

DIMENSIONS: mm [INCHES]	TOLERANCES UNLESS OTHERWISE SPECIFIED:	DIN J. GERACE 1-23-95	STE TE Connectivity
0 PLC ± -	1 PLC ± -	CJK 1-23-95	
2 PLC ± -	3 PLC ± 0.13[.005]	P. MATAR 1-23-95	
4 PLC ± -	ANGLES ± -	A. MONK 1-23-95	

NAME: PLUG ASSEMBLY, 18.75 STACK, 3.68 ACTION PIN TAIL, BTB, MICROSTRIP

PRODUCT SPEC: 108-1272

APPLICATION SPEC: 114-11005

WEIGHT: 0.000000

CUSTOMER DRAWING

SCALE: 10:1 SHEET: 1 OF 1 REV: D