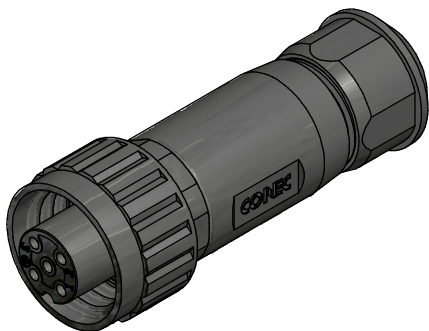


3pos + PE



Technical specification:


Rated voltage: IEC 60664-1	3pol + PE 400 V
Current rating: IEC 60512-3	16 A at 40°C
Insulation resistance: IEC 60512	≥ 100 M Ω
Pollution degree: IEC 60664-1	3/2
Degree of protection: IEC 60529	IP 67, in mated condition
Temperature range: IEC 60664-1	-40°C ... +85°C
Mating cycles: IEC 60512-9a	≥ 100
Wire cross section:	AWG16 / max. 1,5mm ²
Contact termination:	Screw termination

Materials:

Contact:	CuZn
Contact plating:	Nickel, silver plated
Contact carrier:	PA6 GF, UL 94
Cable sealing:	Elastomere
Sealing:	FPM
Coupling nut:	PA6 GF, UL 94
Housing:	PA6 GF, UL 94

Part no:	Description:	Cable sealing:
41-50000	SAL - 24 - RKC3PE - S	For external cable diameter 6 - 8mm, 8-10mm, 10-12mm

DO NOT ALTER CAD DRAWING BY HAND Directive 2002/95/EC RoHS compliant	Index: a 04.04.11 VF Ä3941 data sheet revised	
	dim. in mm	
	drawn	11.10.07 Burschik
	appd.	11.10.07 Schmidt
general tolerance:	0 ± 0,50mm	
	0,0 ± 0,25mm	
	0,00 ± 0,10mm	
THIS DRAWING MAY NOT BE COPIED OR REPRODUCED IN ANY WAY, AND MAY NOT BE PASSED ON TO A THIRD PARTY WITHOUT WRITTEN PERMISSION. OWNERSHIP AND COPYRIGHT OF CONEC GmbH		



title: Female connector RD24, 3pos+PE, field attachable, axial, with screw termination	
dwg no: 41K1A339	
part no:	see table