

Class 2 Transformers designed for Chassis Mounting



Inherently or Non-Inherently Limited



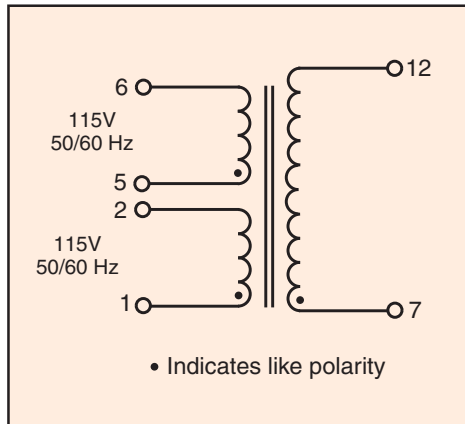
Signal's CL2 transformers are available in printed circuit and chassis mount versions. They are supplied as inherently or non-inherently limited units that are UL 1585 / UL 5085 recognized.

General Specifications

- Power - 25 VA to 80 VA
- Dielectric Strength - 4000 Vrms Hipot
- Primaries - Dual primaries, 115/230 V, 50/60 Hz,
- Secondaries - Single secondary
- Class 2 Rating - Inherently or non-inherently limited (secondary fuse requirements below)
- Electrostatic Shield - Not necessary, split or dual bobbin construction
- Terminals - Solder lug/quick connect type terminals
- Insulation System - Class F insulation, 155° C
- Flammability Rating - Bobbin and shroud material meet UL 94V0

Agency Certifications

- UL recognized to UL 1585 / UL 5085-3, File # E116583
- CSA certified to C22.2 #66.1



Primaries are designed to be used simultaneously. That is, they must be used either series or parallel connected (as one winding).

Part Number	Secondary RMS Rating	Secondary Fuse Required
CL2-25-12	12V @ 2.10A	2.5A*
CL2-25-24	24V @ 1.05A	1.5A*
CL2-40-12	12V @ 3.33A	4.0A*
CL2-40-24	24V @ 1.66A	2.0A*
CL2-80-24	24V @ 3.33A	3.5A*

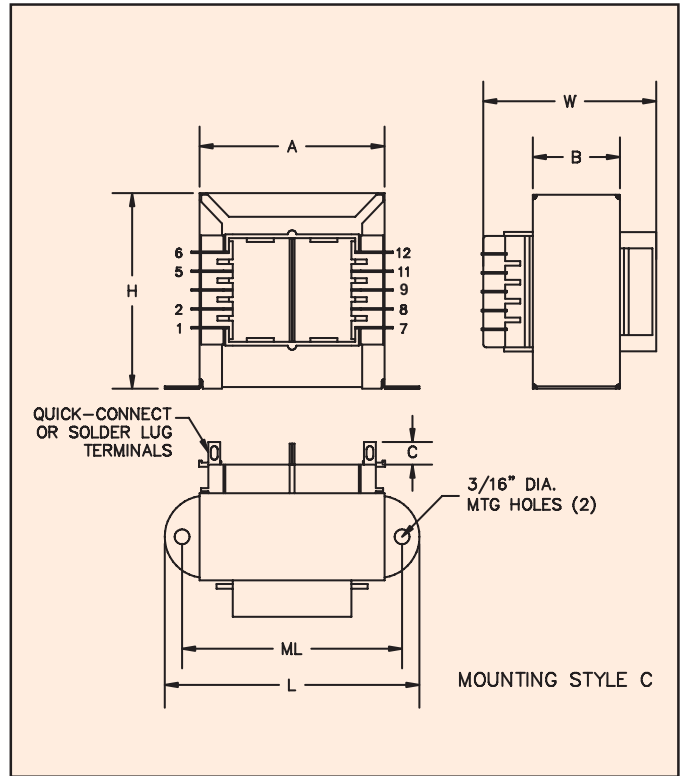
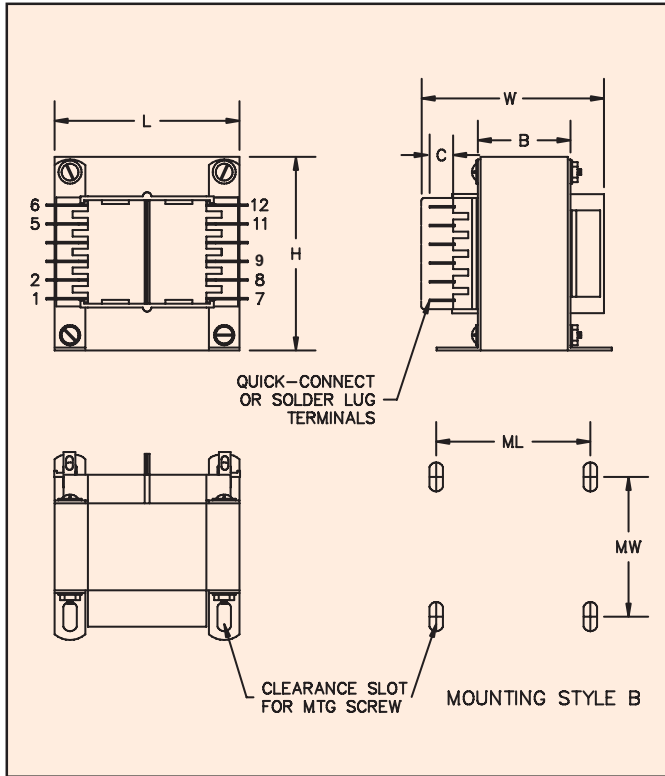
* Non-inherently limited
Maximum secondary fuse value specified
All primaries are 115/230 V, 50/60 Hz

Custom versions available upon request.

©2008 Signal Transformer — Specification subject to change without notice. 07.08

Class 2 Transformers designed for Chassis Mounting

Inherently or Non-Inherently Limited



VA	Dimensions						Terminals	Mounting Style	Mounting Dimensions		Mounting Screw	Weight
	L	W	H	A	B	C			ML	MW		
Size	Inches (mm)						Inches (mm)		#6	lbs (kg)		
25	2.81 (71.4)	2.14 (54.4)	2.31 (58.7)	2.00 (50.8)	1.12 (28.6)	.31 (7.92)	.18 (4.75)	C			2.37 (60.3)	—
40	3.12 (79.4)	2.14 (54.4)	2.68 (68.2)	2.25 (57.2)	1.12 (28.6)	.31 (7.92)	.18 (4.75)	C	2.81 (71.4)	—	#6	1.6 (0.73)
80	2.50 (63.5)	2.53 (64.3)	3.00 (76.2)	—	1.37 (34.9)	.31 (7.92)	.18 (4.75)	B	2.00 (50.8)	2.18 (55.5)	#6	2.8 (1.27)

Custom versions available upon request.

©2008 Signal Transformer — Specification subject to change without notice. 07.08