



# MCF5271 Integrated Microprocessor Hardware Specification

by: Microcontroller Solutions Group

The MCF5271 family is a highly integrated implementation of the ColdFire<sup>®</sup> family of reduced instruction set computing (RISC) microprocessors. This document describes pertinent features and functions of the MCF5271 family. The MCF5271 family includes the MCF5271 and MCF5270 microprocessors. The differences between these parts are summarized below in [Table 1](#). This document is written from the perspective of the MCF5271 and unless otherwise noted, the information applies also to the MCF5270.

The MCF5271 family combines low cost with high integration on the popular version 2 ColdFire core with over 144 (Dhrystone 2.1) MIPS at 150 MHz. Positioned for applications requiring a cost-sensitive 32-bit solution, the MCF5271 family features a 10/100 Ethernet MAC and optional hardware encryption to ensure the application can be connected and protected. In addition, the MCF5271 family features an enhanced multiply accumulate unit (eMAC), large on-chip memory (64 Kbytes SRAM, 8 Kbytes configurable cache), and a 32-bit SDR SDRAM memory controller.

## Contents

|   |  |    |
|---|--|----|
| 1 | MCF5271 Family Configurations . . . . .        | 2  |
| 2 | Block Diagram . . . . .                        | 2  |
| 3 | Features . . . . .                             | 4  |
| 4 | Signal Descriptions . . . . .                  | 4  |
| 5 | Design Recommendations . . . . .               | 8  |
| 6 | Mechanicals/Pinouts and Part Numbers . . . . . | 12 |
| 7 | Electrical Characteristics . . . . .           | 17 |
| 8 | Documentation . . . . .                        | 39 |
| 9 | Document Revision History . . . . .            | 39 |

# 1 MCF5271 Family Configurations

Table 1. MCF5271 Family Configurations

| Module   | MCF5270                | MCF5271                |
|--|------------------------|------------------------|
| ColdFire V2 Core with EMAC and Hardware Divide | x                      | x                      |
| System Clock                                   | 150 MHz                |                        |
| Performance (Dhrystone/2.1 MIPS)               | 144                    |                        |
| Instruction/Data Cache                         | 8 Kbytes               |                        |
| Static RAM (SRAM)                              | 64 Kbytes              |                        |
| Interrupt Controllers (INTC)                   | 2                      | 2                      |
| Edge Port Module (EPORT)                       | x                      | x                      |
| External Interface Module (EIM)                | x                      | x                      |
| 4-channel Direct-Memory Access (DMA)           | x                      | x                      |
| SDRAM Controller                               | x                      | x                      |
| Fast Ethernet Controller (FEC)                 | x                      | x                      |
| Hardware Encryption                            | —                      | x                      |
| Watchdog Timer (WDT)                           | x                      | x                      |
| Four Periodic Interrupt Timers (PIT)           | x                      | x                      |
| 32-bit DMA Timers                              | 4                      | 4                      |
| QSPI   | x                      | x                      |
| UART(s)  | 3                      | 3                      |
| I <sup>2</sup> C                               | x                      | x                      |
| General Purpose I/O Module (GPIO)              | x                      | x                      |
| JTAG - IEEE 1149.1 Test Access Port            | x                      | x                      |
| Package  | 160 QFP,<br>196 MAPBGA | 160 QFP,<br>196 MAPBGA |

## 2 Block Diagram

The superset device in the MCF5271 family comes in a 196 mold array plastic ball grid array (MAPBGA) package. [Figure 1](#) shows a top-level block diagram of the MCF5271.

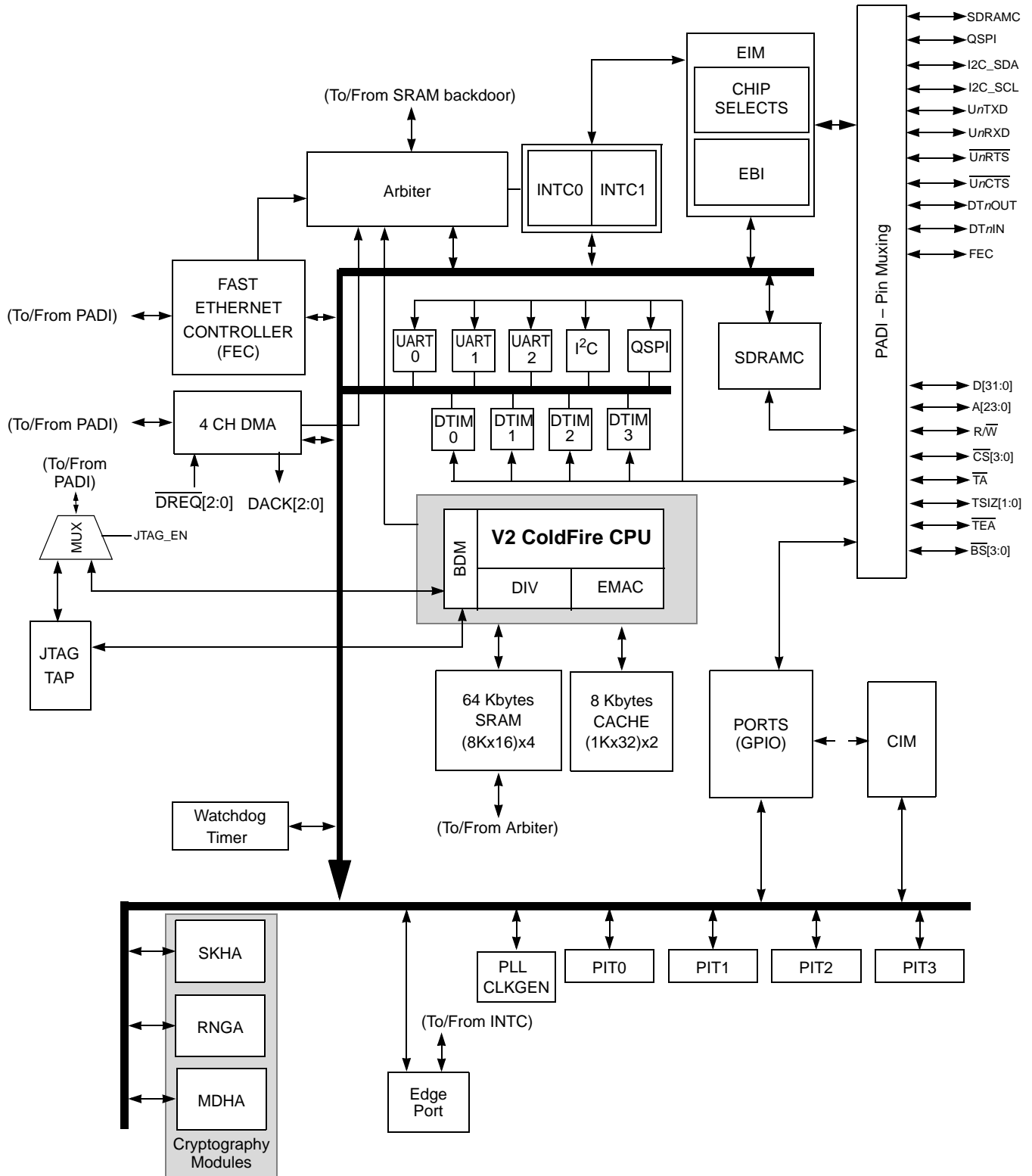


Figure 1. MCF5271 Block Diagram

## 3 Features

For a detailed feature list see the MCF5271 Reference Manual (MCF5271RM).

## 4 Signal Descriptions

This section describes signals that connect off chip, including a table of signal properties. For a more detailed discussion of the MCF5271 signals, consult the *MCF5271 Reference Manual* (MCF5271RM).

### 4.1 Signal Properties

Table 4 lists all of the signals grouped by function. The “Dir” column is the direction for the primary function of the pin. Refer to Section 6, “Mechanicals/Pinouts and Part Numbers,” for package diagrams.

#### NOTE

In this table and throughout this document a single signal within a group is designated without square brackets (i.e., A24), while designations for multiple signals within a group use brackets (i.e., A[23:21]) and is meant to include all signals within the two bracketed numbers when these numbers are separated by a colon.

#### NOTE

The primary functionality of a pin is not necessarily its default functionality. Pins that are muxed with GPIO will default to their GPIO functionality.

**Table 2. MCF5270 and MCF5271 Signal Information and Muxing**

| Signal Name                                | GPIO       | Alternate 1                  | Alternate 2 | Dir. <sup>1</sup> | MCF5270<br>MCF5271<br>160 QFP | MCF5270<br>MCF5271<br>196 MAPBGA |
|--|------------|------------------------------|-------------|-------------------|-------------------------------|----------------------------------|
| <b>Reset</b>                               |            |                              |             |                   |                               |                                  |
| $\overline{\text{RESET}}$                  | —          | —                            | —           | I                 | 83                            | N13                              |
| $\overline{\text{RSTOUT}}$                 | —          | —                            | —           | O                 | 82                            | P13                              |
| <b>Clock</b>                               |            |                              |             |                   |                               |                                  |
| EXTAL                                      | —          | —                            | —           | I                 | 86                            | M14                              |
| XTAL                                       | —          | —                            | —           | O                 | 85                            | N14                              |
| CLKOUT                                     | —          | —                            | —           | O                 | 89                            | K14                              |
| <b>Mode Selection</b>                      |            |                              |             |                   |                               |                                  |
| CLKMOD[1:0]                                | —          | —                            | —           | I                 | 20,21                         | G5,H5                            |
| $\overline{\text{RCON}}$                   | —          | —                            | —           | I                 | 79                            | K10                              |
| <b>External Memory Interface and Ports</b> |            |                              |             |                   |                               |                                  |
| A[23:21]                                   | PADDR[7:5] | $\overline{\text{CS}}$ [6:4] | —           | O                 | 126, 125, 124                 | B11, C11, D11                    |

Table 2. MCF5270 and MCF5271 Signal Information and Muxing (continued)

| Signal Name             | GPIO        | Alternate 1            | Alternate 2 | Dir. <sup>1</sup> | MCF5270<br>MCF5271<br>160 QFP | MCF5270<br>MCF5271<br>196 MAPBGA  |
|-------------------------|-------------|------------------------|-------------|-------------------|-------------------------------|---|
| A[20:0]                 | —           | —                      | —           | O                 | 123:115,<br>112:106, 102:98   | A12, B12, C12,<br>A13, B13, B14,<br>C13, C14, D12,<br>D13, D14, E11,<br>E12, E13, E14,<br>F12, F13, F14,<br>G11, G12, G13 |
| D[31:16]                | —           | —                      | —           | O                 | 22:30, 33:39                  | G1, G2, H1, H2,<br>H3, H4, J1, J2,<br>J3, J4, K1, K2,<br>K3, K4, L1, L2   |
| D[15:8]                 | PDATAH[7:0] | —                      | —           | O                 | 42:49                         | M1, N1, M2, N2,<br>P2, L3, M3, N3   |
| D[7:0]                  | PDATAL[7:0] | —                      | —           | O                 | 50:52, 56:60                  | P3, M4, N4, P4,<br>L5, M5, N5, P5   |
| $\overline{BS}$ [3:0]   | PBS[7:4]    | $\overline{CAS}$ [3:0] | —           | O                 | 143:140                       | B6, C6, D7, C7  |
| $\overline{OE}$         | PBUSCTL7    | —                      | —           | O                 | 62                            | N6  |
| $\overline{TA}$         | PBUSCTL6    | —                      | —           | I                 | 96                            | H11   |
| $\overline{TEA}$        | PBUSCTL5    | $\overline{DREQ1}$     | —           | I                 | —                             | J14   |
| R/W                     | PBUSCTL4    | —                      | —           | O                 | 95                            | J13   |
| $\overline{TSIZ1}$      | PBUSCTL3    | DACK1                  | —           | O                 | —                             | P6  |
| $\overline{TSIZ0}$      | PBUSCTL2    | DACK0                  | —           | O                 | —                             | P7  |
| $\overline{TS}$         | PBUSCTL1    | DACK2                  | —           | O                 | 97                            | H13   |
| $\overline{TP}$         | PBUSCTL0    | DREQ0                  | —           | O                 | —                             | H12   |
| <b>Chip Selects</b>     |             |                        |             |                   |                               |   |
| $\overline{CS}$ [7:4]   | PCS[7:4]    | —                      | —           | O                 | —                             | B9, A10, C10,<br>A11  |
| $\overline{CS}$ [3:2]   | PCS[3:2]    | SD_CS[1:0]             | —           | O                 | 132,131                       | A9, C9  |
| $\overline{CS1}$        | PCS1        | —                      | —           | O                 | 130                           | B10   |
| $\overline{CS0}$        | —           | —                      | —           | O                 | 129                           | D10   |
| <b>SDRAM Controller</b> |             |                        |             |                   |                               |   |
| $\overline{SD\_WE}$     | PSDRAM5     | —                      | —           | O                 | 92                            | K13   |
| $\overline{SD\_SCAS}$   | PSDRAM4     | —                      | —           | O                 | 91                            | K12   |
| $\overline{SD\_SRAS}$   | PSDRAM3     | —                      | —           | O                 | 90                            | K11   |
| SD_CKE                  | PSDRAM2     | —                      | —           | O                 | —                             | E8  |
| SD_CS[1:0]              | PSDRAM[1:0] | —                      | —           | O                 | —                             | L12, L13  |

Table 2. MCF5270 and MCF5271 Signal Information and Muxing (continued)

| Signal Name  | GPIO      | Alternate 1               | Alternate 2 | Dir. <sup>1</sup> | MCF5270<br>MCF5271<br>160 QFP | MCF5270<br>MCF5271<br>196 MAPBGA |
|--|-----------|---------------------------|-------------|-------------------|-------------------------------|----------------------------------|
| <b>External Interrupts Port</b>  |           |                           |             |                   |                               |                                  |
| $\overline{\text{IRQ}}[7:3]$   | PIRQ[7:3] | —                         | —           | I                 | IRQ7=63<br>IRQ4=64            | N7, M7, L7, P8,<br>N8            |
| $\overline{\text{IRQ}}2$   | PIRQ2     | $\overline{\text{DREQ}}2$ | —           | I                 | —                             | M8                               |
| $\overline{\text{IRQ}}1$   | PIRQ1     | —                         | —           | I                 | 65                            | L8                               |
| <b>FEC</b>   |           |                           |             |                   |                               |                                  |
| EMDC   | PFECI2C3  | I2C_SCL                   | U2TXD       | O                 | 151                           | D4                               |
| EMDIO  | PFECI2C2  | I2C_SDA                   | U2RXD       | I/O               | 150                           | D5                               |
| ECOL   | —         | —                         | —           | I                 | 9                             | E2                               |
| ECRS   | —         | —                         | —           | I                 | 8                             | E1                               |
| ERXCLK   | —         | —                         | —           | I                 | 7                             | D1                               |
| ERXDV  | —         | —                         | —           | I                 | 6                             | D2                               |
| ERXD[3:0]  | —         | —                         | —           | I                 | 5:2                           | D3, C1, C2, B1                   |
| ERXER  | —         | —                         | —           | O                 | 159                           | B2                               |
| ETXCLK   | —         | —                         | —           | I                 | 158                           | A2                               |
| ETXEN  | —         | —                         | —           | I                 | 157                           | C3                               |
| ETXER  | —         | —                         | —           | O                 | 156                           | B3                               |
| ETXD[3:0]  | —         | —                         | —           | O                 | 155:152                       | A3, A4, C4, B4                   |
| <b>I<sup>2</sup>C</b>  |           |                           |             |                   |                               |                                  |
| I2C_SDA  | PFECI2C1  | —                         | —           | I/O               | —                             | J12                              |
| I2C_SCL  | PFECI2C0  | —                         | —           | I/O               | —                             | J11                              |
| <b>DMA</b>   |           |                           |             |                   |                               |                                  |
| DACK[2:0] and $\overline{\text{DREQ}}[2:0]$ do not have a dedicated bond pads. Please refer to the following pins for muxing:<br>$\overline{\text{TS}}$ and DT2OUT for DACK2, TSIZ1 and DT1OUT for DACK1,<br>TSIZ0 and DT0OUT for DACK0, $\overline{\text{IRQ}}2$ and DT2IN for $\overline{\text{DREQ}}2$ ,<br>$\overline{\text{TEA}}$ and $\overline{\text{DT1IN}}$ for $\overline{\text{DREQ}}1$ , and $\overline{\text{TIP}}$ and DT0IN for $\overline{\text{DREQ}}0$ . |           |                           |             |                   | —                             | —                                |
| <b>QSPI</b>  |           |                           |             |                   |                               |                                  |
| QSPI_CS1   | PQSPI4    | SD_CKE                    | —           | O                 | 139                           | B7                               |
| QSPI_CS0   | PQSPI3    | —                         | —           | O                 | 146                           | A6                               |
| QSPI_CLK   | PQSPI2    | I2C_SCL                   | —           | O                 | 147                           | C5                               |
| QSPI_DIN   | PQSPI1    | I2C_SDA                   | —           | I                 | 148                           | B5                               |
| QSPI_DOUT  | PQSPI0    | —                         | —           | O                 | 149                           | A5                               |

Table 2. MCF5270 and MCF5271 Signal Information and Muxing (continued)

| Signal Name                 | GPIO    | Alternate 1        | Alternate 2 | Dir. <sup>1</sup> | MCF5270<br>MCF5271<br>160 QFP | MCF5270<br>MCF5271<br>196 MAPBGA |
|-----------------------------|---------|--------------------|-------------|-------------------|-------------------------------|----------------------------------|
| <b>UARTs</b>                |         |                    |             |                   |                               |                                  |
| U2TXD                       | PUARTH1 | —                  | —           | O                 | —                             | A8                               |
| U2RXD                       | PUARTH0 | —                  | —           | I                 | —                             | A7                               |
| $\overline{U1CTS}$          | PUARTL7 | $\overline{U2CTS}$ | —           | I                 | 136                           | B8                               |
| $\overline{U1RTS}$          | PUARTL6 | $\overline{U2RTS}$ | —           | O                 | 135                           | C8                               |
| U1TXD                       | PUARTL5 | —                  | —           | O                 | 133                           | D9                               |
| U1RXD                       | PUARTL4 | —                  | —           | I                 | 134                           | D8                               |
| $\overline{U0CTS}$          | PUARTL3 | —                  | —           | I                 | 12                            | F3                               |
| $\overline{U0RTS}$          | PUARTL2 | —                  | —           | O                 | 15                            | G3                               |
| U0TXD                       | PUARTL1 | —                  | —           | O                 | 14                            | F1                               |
| U0RXD                       | PUARTL0 | —                  | —           | I                 | 13                            | F2                               |
| <b>DMA Timers</b>           |         |                    |             |                   |                               |                                  |
| DT3IN                       | PTIMER7 | $\overline{U2CTS}$ | QSPI_CS2    | I                 | —                             | H14                              |
| DT3OUT                      | PTIMER6 | $\overline{U2RTS}$ | QSPI_CS3    | O                 | —                             | G14                              |
| DT2IN                       | PTIMER5 | $\overline{DREQ2}$ | DT2OUT      | I                 | 66                            | M9                               |
| DT2OUT                      | PTIMER4 | DACK2              | —           | O                 | —                             | L9                               |
| DT1IN                       | PTIMER3 | $\overline{DREQ1}$ | DT1OUT      | I                 | 61                            | L6                               |
| DT1OUT                      | PTIMER2 | DACK1              | —           | O                 | —                             | M6                               |
| DT0IN                       | PTIMER1 | $\overline{DREQ0}$ | —           | I                 | 10                            | E4                               |
| DT0OUT                      | PTIMER0 | DACK0              | —           | O                 | 11                            | F4                               |
| <b>BDM/JTAG<sup>2</sup></b> |         |                    |             |                   |                               |                                  |
| DSCLK                       | —       | TRST               | —           | O                 | 70                            | N9                               |
| PSTCLK                      | —       | TCLK               | —           | O                 | 68                            | P9                               |
| $\overline{BKPT}$           | —       | TMS                | —           | O                 | 71                            | P10                              |
| DSI                         | —       | TDI                | —           | I                 | 73                            | M10                              |
| DSO                         | —       | TDO                | —           | O                 | 72                            | N10                              |
| JTAG_EN                     | —       | —                  | —           | I                 | 78                            | K9                               |
| DDATA[3:0]                  | —       | —                  | —           | O                 | —                             | M12, N12, P12,<br>L11            |
| PST[3:0]                    | —       | —                  | —           | O                 | 77:74                         | M11, N11, P11,<br>L10            |

Table 2. MCF5270 and MCF5271 Signal Information and Muxing (continued)

| Signal Name           | GPIO | Alternate 1 | Alternate 2 | Dir. <sup>1</sup> | MCF5270<br>MCF5271<br>160 QFP   | MCF5270<br>MCF5271<br>196 MAPBGA   |
|-----------------------|------|-------------|-------------|-------------------|---|--|
| <b>Test</b>           |      |             |             |                   |   |  |
| TEST                  | —    | —           | —           | I                 | 19  | F5   |
| PLL_TEST              | —    | —           | —           | I                 | —   |  |
| <b>Power Supplies</b> |      |             |             |                   |   |  |
| VDDPLL                | —    | —           | —           | I                 | 87  | M13  |
| VSSPLL                | —    | —           | —           | I                 | 84  | L14  |
| OVDD                  | —    | —           | —           | I                 | 1, 18, 32, 41, 55,<br>69, 81, 94, 105,<br>114, 128, 138,<br>145       | E5, E7, E10, F7,<br>F9, G6, G8, H7,<br>H8, H9, J6, J8,<br>J10, K5, K6, K8  |
| VSS                   | —    | —           | —           | I                 | 17, 31, 40, 54,<br>67, 80, 88, 93,<br>104, 113, 127,<br>137, 144, 160 | A1, A14, E6, E9,<br>F6, F8, F10, G7,<br>G9, H6, J5, J7,<br>J9, K7, P1, P14 |
| VDD                   | —    | —           | —           | I                 | 16, 53, 103   | D6, F11, G4, L4  |

<sup>1</sup> Refers to pin's primary function. All pins which are configurable for GPIO have a pullup enabled in GPIO mode with the exception of PBUSCTL[7], PBUSCTL[4:0], PADDR, PBS, PSDRAM.

<sup>2</sup> If JTAG\_EN is asserted, these pins default to Alternate 1 (JTAG) functionality. The GPIO module is not responsible for assigning these pins.

## 5 Design Recommendations

### 5.1 Layout

- Use a 4-layer printed circuit board with the VDD and GND pins connected directly to the power and ground planes for the MCF5271.
- See application note AN1259, *System Design and Layout Techniques for Noise Reduction in Processor-Based Systems*.
- Match the PCB layout trace width and routing to match trace length to operating frequency and board impedance. Add termination (series or therein) to the traces to dampen reflections. Increase the PCB impedance (if possible) keeping the trace lengths balanced and short. Then do cross-talk analysis to separate traces with significant parallelism or are otherwise "noisy". Use 6 mils trace and separation. Clocks get extra separation and more precise balancing.

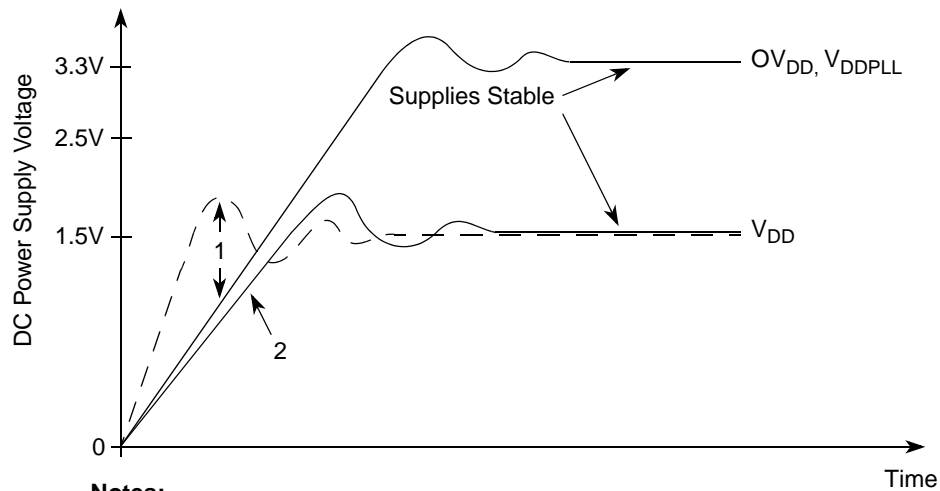
### 5.2 Power Supply

- 33  $\mu$ F, 0.1  $\mu$ F, and 0.01  $\mu$ F across each power supply



## 5.2.1 Supply Voltage Sequencing and Separation Cautions

Figure 2 shows situations in sequencing the I/O  $V_{DD}$  ( $OV_{DD}$ ), PLL  $V_{DD}$  ( $V_{DDPLL}$ ), and Core  $V_{DD}$  ( $V_{DD}$ ).  $OV_{DD}$  is specified relative to  $V_{DD}$ .



### Notes:

1.  $V_{DD}$  should not exceed  $OV_{DD}$  or  $V_{DDPLL}$  by more than 0.4 V at any time, including power-up.
2. Recommended that  $V_{DD}$  should track  $OV_{DD}/V_{DDPLL}$  up to 0.9 V, then separate for completion of ramps.
3. Input voltage must not be greater than the supply voltage ( $OV_{DD}$ ,  $V_{DD}$ , or  $V_{DDPLL}$ ) by more than 0.5 V at any time, including during power-up.
4. Use 1 ms or slower rise time for all supplies.

Figure 2. Supply Voltage Sequencing and Separation Cautions

### 5.2.1.1 Power Up Sequence

If  $OV_{DD}$  is powered up with  $V_{DD}$  at 0 V, then the sense circuits in the I/O pads cause all pad output drivers connected to the  $OV_{DD}$  to be in a high impedance state. There is no limit on how long after  $OV_{DD}$  powers up before  $V_{DD}$  must power up.  $V_{DD}$  should not lead the  $OV_{DD}$  or  $V_{DDPLL}$  by more than 0.4 V during power ramp-up, or there will be high current in the internal ESD protection diodes. The rise times on the power supplies should be slower than 1  $\mu$ s to avoid turning on the internal ESD protection clamp diodes.

The recommended power up sequence is as follows:

1. Use 1 ms or slower rise time for all supplies.
2.  $V_{DD}$  and  $OV_{DD}/V_{DDPLL}$  should track up to 0.9 V, then separate for the completion of ramps with  $OV_{DD}$  going to the higher external voltages. One way to accomplish this is to use a low drop-out voltage regulator.

### 5.2.1.2 Power Down Sequence

If  $V_{DD}$  is powered down first, then sense circuits in the I/O pads cause all output drivers to be in a high impedance state. There is no limit on how long after  $V_{DD}$  powers down before  $OV_{DD}/V_{DDPLL}$  must power down.  $V_{DD}$  should not lag  $OV_{DD}$  or  $V_{DDPLL}$  going low by more than 0.4 V during power down or there

will be undesired high current in the ESD protection diodes. There are no requirements for the fall times of the power supplies.

The recommended power down sequence is as follows:

1. Drop  $V_{DD}$  to 0 V.
2. Drop  $OV_{DD}/V_{DDPLL}$  supplies.

### 5.3 Decoupling

- Place the decoupling caps as close to the pins as possible, but they can be outside the footprint of the package.
- 0.1  $\mu$ F and 0.01  $\mu$ F at each supply input

### 5.4 Buffering

- Use bus buffers on all data/address lines for all off-board accesses and for all on-board accesses when excessive loading is expected. See [Section 7, “Electrical Characteristics.”](#)

### 5.5 Pull-up Recommendations

- Use external pull-up resistors on unused inputs. See pin table.

### 5.6 Clocking Recommendations

- Use a multi-layer board with a separate ground plane.
- Place the crystal and all other associated components as close to the EXTAL and XTAL (oscillator pins) as possible.
- Do not run a high frequency trace around crystal circuit.
- Ensure that the ground for the bypass capacitors is connected to a solid ground trace.
- Tie the ground trace to the ground pin nearest EXTAL and XTAL. This prevents large loop currents in the vicinity of the crystal.
- Tie the ground pin to the most solid ground in the system.
- Do not connect the trace that connects the oscillator and the ground plane to any other circuit element. This tends to make the oscillator unstable.
- Tie XTAL to ground when an external oscillator is clocking the device.

### 5.7 Interface Recommendations

#### 5.7.1 SDRAM Controller

##### 5.7.1.1 SDRAM Controller Signals in Synchronous Mode

[Table 3](#) shows the behavior of SDRAM signals in synchronous mode.

**Table 3. Synchronous DRAM Signal Connections**

| Signal                 | Description  |
|------------------------|--|
| SD_SRAS                | Synchronous row address strobe. Indicates a valid SDRAM row address is present and can be latched by the SDRAM. SD_SRAS should be connected to the corresponding SDRAM SD_SRAS. Do not confuse SD_SRAS with the DRAM controller's SD_CS[1:0], which should not be interfaced to the SDRAM SD_SRAS signals.   |
| SD_SCAS                | Synchronous column address strobe. Indicates a valid column address is present and can be latched by the SDRAM. SD_SCAS should be connected to the corresponding signal labeled SD_SCAS on the SDRAM.  |
| DRAMW                  | DRAM read/write. Asserted for write operations and negated for read operations.  |
| SD_CS[1:0]             | Row address strobe. Select each memory block of SDRAMs connected to the MCF5271. One SD_CS signal selects one SDRAM block and connects to the corresponding CS signals.  |
| SD_CKE                 | Synchronous DRAM clock enable. Connected directly to the CKE (clock enable) signal of SDRAMs. Enables and disables the clock internal to SDRAM. When CKE is low, memory can enter a power-down mode where operations are suspended or they can enter self-refresh mode. SD_CKE functionality is controlled by DCR[COC]. For designs using external multiplexing, setting COC allows SD_CKE to provide command-bit functionality. |
| B $\overline{S}$ [3:0] | Column address strobe. For synchronous operation, B $\overline{S}$ [3:0] function as byte enables to the SDRAMs. They connect to the DQM signals (or mask qualifiers) of the SDRAMs.   |
| CLKOUT                 | Bus clock output. Connects to the CLK input of SDRAMs.   |

### 5.7.1.2 Address Multiplexing

See the SDRAM controller module chapter in the *MCF5271 Reference Manual* for details on address multiplexing.

### 5.7.2 Ethernet PHY Transceiver Connection

The FEC supports both an MII interface for 10/100 Mbps Ethernet and a seven-wire serial interface for 10 Mbps Ethernet. The interface mode is selected by R\_CNTRL[MII\_MODE]. In MII mode, the 802.3 standard defines and the FEC module supports 18 signals. These are shown in [Table 4](#).

**Table 4. MII Mode**

| Signal Description | MCF5271 Pin |
|--------------------|-------------|
| Transmit clock     | ETXCLK      |
| Transmit enable    | ETXEN       |
| Transmit data      | ETXD[3:0]   |
| Transmit error     | ETXER       |
| Collision          | ECOL        |
| Carrier sense      | ECRS        |
| Receive clock      | ERXCLK      |
| Receive enable     | ERXDV       |
| Receive data       | ERXD[3:0]   |

**Table 4. MII Mode (continued)**

| Signal Description             | MCF5271 Pin |
|--------------------------------|-------------|
| Receive error                  | ERXER       |
| Management channel clock       | EMDC        |
| Management channel serial data | EMDIO       |

The serial mode interface operates in what is generally referred to as AMD mode. The MCF5271 configuration for seven-wire serial mode connections to the external transceiver are shown in [Table 5](#).

**Table 5. Seven-Wire Mode Configuration**

| Signal Description                   | MCF5271 Pin |
|--------------------------------------|-------------|
| Transmit clock                       | ETXCLK      |
| Transmit enable                      | ETXEN       |
| Transmit data                        | ETXD[0]     |
| Collision                            | ECOL        |
| Receive clock                        | ERXCLK      |
| Receive enable                       | ERXDV       |
| Receive data                         | ERXD[0]     |
| Unused, configure as PB14            | ERXER       |
| Unused input, tie to ground          | ECRS        |
| Unused, configure as PB[13:11]       | ERXD[3:1]   |
| Unused output, ignore                | ETXER       |
| Unused, configure as PB[10:8]        | ETXD[3:1]   |
| Unused, configure as PB15            | EMDC        |
| Input after reset, connect to ground | EMDIO       |

Refer to the M5271EVB evaluation board user's manual for an example of how to connect an external PHY. Schematics for this board are accessible at the MCF5271 site by navigating to: <http://www.freescale.com/coldfire>.

### 5.7.3 BDM

Use the BDM interface as shown in the M5271EVB evaluation board user's manual. The schematics for this board are accessible at the Freescale website at: <http://www.freescale.com/coldfire>.

## 6 Mechanicals/Pinouts and Part Numbers

This section contains drawings showing the pinout and the packaging and mechanical characteristics of the MCF5271 devices. See [Table 4](#) for a list the signal names and pin locations for each device.

## 6.1 Pinout—196 MAPBGA

The following figure shows a pinout of the MCF5270/71CVMxxx package.

|   | 1      | 2      | 3     | 4          | 5         | 6                        | 7                         | 8                         | 9                                     | 10                                  | 11                                | 12                                | 13                                | 14                      |   |
|---|--------|--------|-------|------------|-----------|--------------------------|---------------------------|---------------------------|---------------------------------------|-------------------------------------|-----------------------------------|-----------------------------------|-----------------------------------|-------------------------|---|
| A | VSS    | ETXCLK | ETXD3 | ETXD2      | QSPI_DOUT | QSPI_CS0                 | U2RXD                     | U2TXD                     | $\overline{\text{CS}}_3$              | $\overline{\text{CS}}_6$            | $\overline{\text{CS}}_4$          | A20                               | A17                               | VSS                     | A |
| B | ERXD0  | ERXER  | ETXER | ETXD0      | QSPI_DIN  | $\overline{\text{BS}}_3$ | QSPI_CS1                  | U1CTS                     | $\overline{\text{CS}}_7$              | $\overline{\text{CS}}_1$            | A23                               | A19                               | A16                               | A15                     | B |
| C | ERXD2  | ERXD1  | ETXEN | ETXD1      | QSCK      | $\overline{\text{BS}}_2$ | $\overline{\text{BS}}_0$  | RTS1                      | $\overline{\text{CS}}_2$              | $\overline{\text{CS}}_5$            | A22                               | A18                               | A14                               | A13                     | C |
| D | ERXCLK | ERXDV  | ERXD3 | EMDC       | EMDIO     | Core VDD_4               | $\overline{\text{BS}}_1$  | U1RXD1                    | U1TXD                                 | $\overline{\text{CS}}_0$            | A21                               | A12                               | A11                               | A10                     | D |
| E | ECRS   | ECOL   | NC    | TIN0       | VDD       | VSS                      | VDD                       | SD_CKE                    | VSS                                   | VDD                                 | A9                                | A8                                | A7                                | A6                      | E |
| F | U0TXD  | U0RXD  | U0CTS | DTOUT0     | TEST      | VSS                      | VDD                       | VSS                       | VDD                                   | VSS                                 | Core VDD_3                        | A5                                | A4                                | A3                      | F |
| G | D31    | D30    | U0RTS | Core VDD_1 | CLK MOD1  | VDD                      | VSS                       | VDD                       | VSS                                   | NC                                  | A2                                | A1                                | A0                                | DTOUT3                  | G |
| H | D29    | D28    | D27   | D26        | CLK MOD0  | VSS                      | VDD                       | VDD                       | VDD                                   | NC                                  | $\overline{\text{TA}}$            | $\overline{\text{TP}}$            | $\overline{\text{TS}}$            | DTIN3                   | H |
| J | D25    | D24    | D23   | D22        | VSS       | VDD                      | VSS                       | VDD                       | VSS                                   | VDD                                 | I2C_SCL                           | I2C_SDA                           | $\overline{\text{RW}}$            | $\overline{\text{TEA}}$ | J |
| K | D21    | D20    | D19   | D18        | VDD       | VDD                      | VSS                       | VDD                       | JTAG_EN                               | $\overline{\text{RCON}}$            | $\overline{\text{SD}}_R\text{AS}$ | $\overline{\text{SD}}_C\text{AS}$ | $\overline{\text{SD}}_W\text{E}$  | CLKOUT                  | K |
| L | D17    | D16    | D10   | Core VDD_2 | D3        | DTIN1                    | $\overline{\text{IRO}}_5$ | $\overline{\text{IRO}}_1$ | DTOUT2                                | PST0                                | DDATA0                            | $\overline{\text{SD}}_C\text{S1}$ | $\overline{\text{SD}}_C\text{S0}$ | VSSPLL                  | L |
| M | D15    | D13    | D9    | D6         | D2        | DTOUT1                   | $\overline{\text{IRO}}_6$ | $\overline{\text{IRO}}_2$ | DTIN2                                 | TDI/DSI                             | PST3                              | DDATA3                            | VDDPLL                            | EXTAL                   | M |
| N | D14    | D12    | D8    | D5         | D1        | $\overline{\text{OE}}$   | $\overline{\text{IRO}}_7$ | $\overline{\text{IRO}}_3$ | $\overline{\text{TRST}}/\text{DSCLK}$ | TDO/DSO                             | PST2                              | DDATA2                            | $\overline{\text{RESET}}$         | XTAL                    | N |
| P | VSS    | D11    | D7    | D4         | D0        | TSIZ1                    | TSIZ0                     | $\overline{\text{IRO}}_4$ | TCLK/PSTCLK                           | $\overline{\text{TMS}}/\text{BKPT}$ | PST1                              | DDATA1                            | $\overline{\text{RSTOUT}}$        | VSS                     | P |

Figure 3. MCF5270/71CVMxxx Pinout (196 MAPBGA)

## 6.2 Package Dimensions—196 MAPBGA

Figure 4 shows MCF5270/71CVMxxx package dimensions.

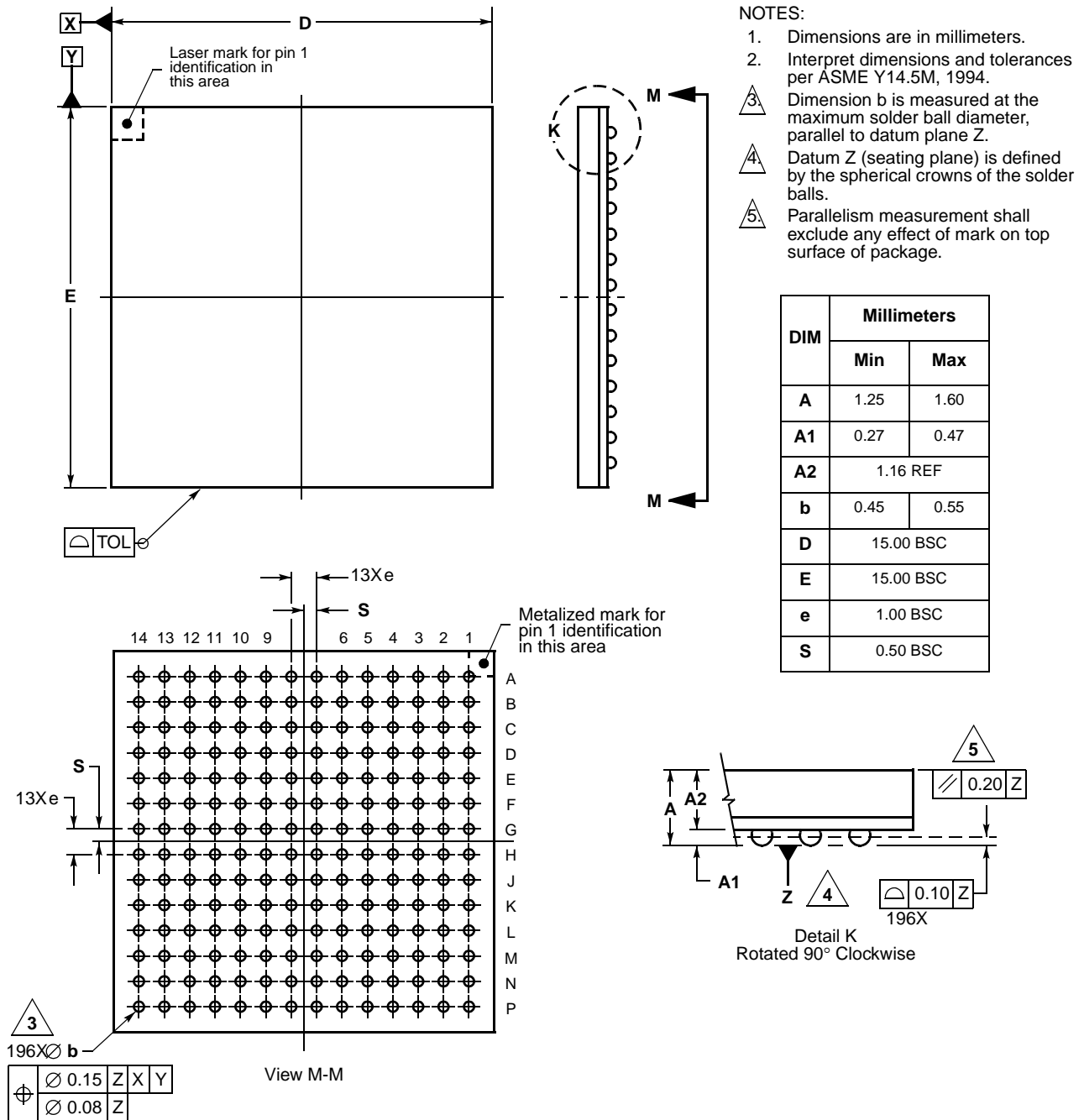


Figure 4. 196 MAPBGA Package Dimensions (Case No. 1128A-01)

### 6.3 Pinout—160 QFP

Figure 5 shows a pinout of the MCF5271CABxxx package.

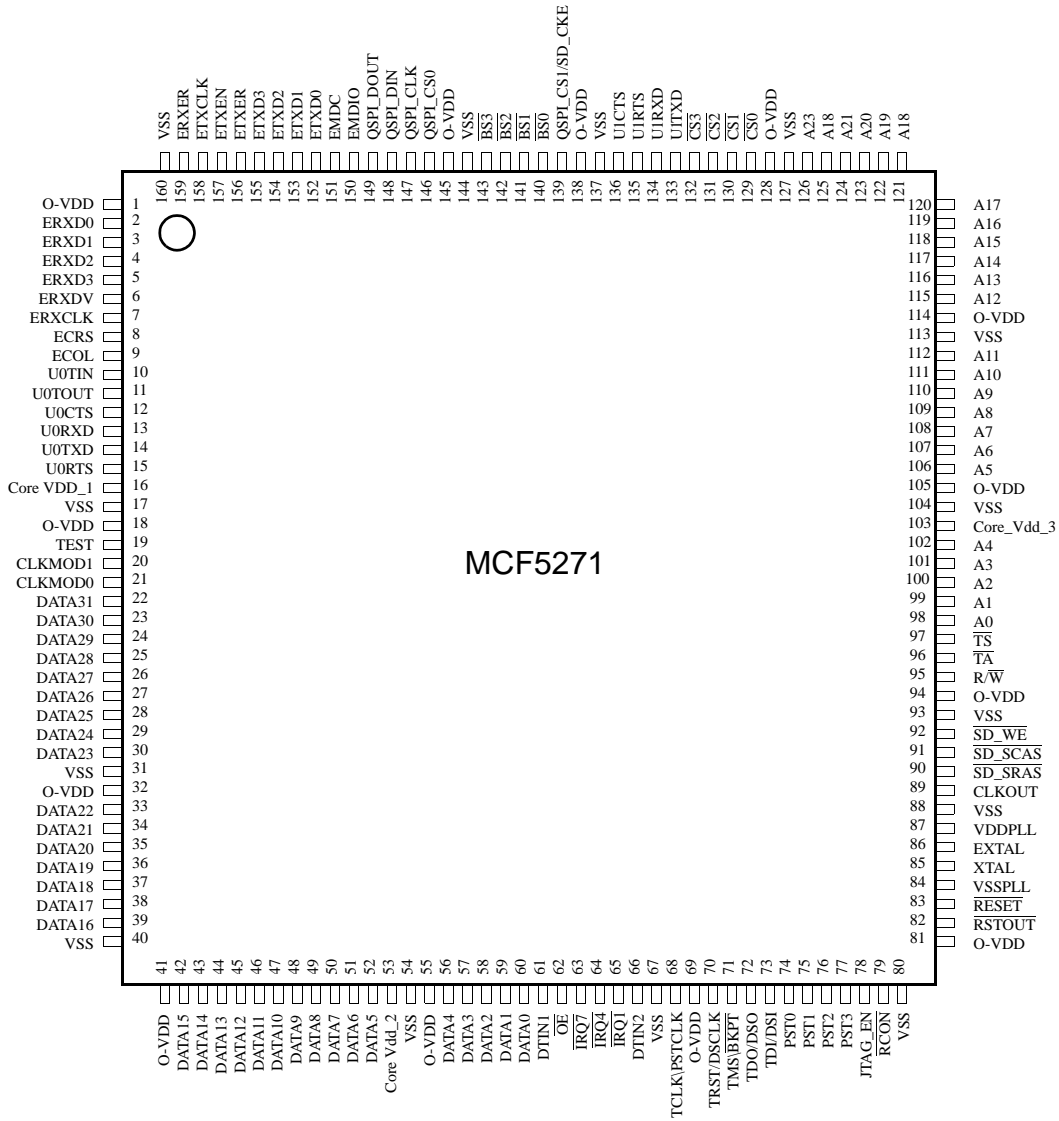
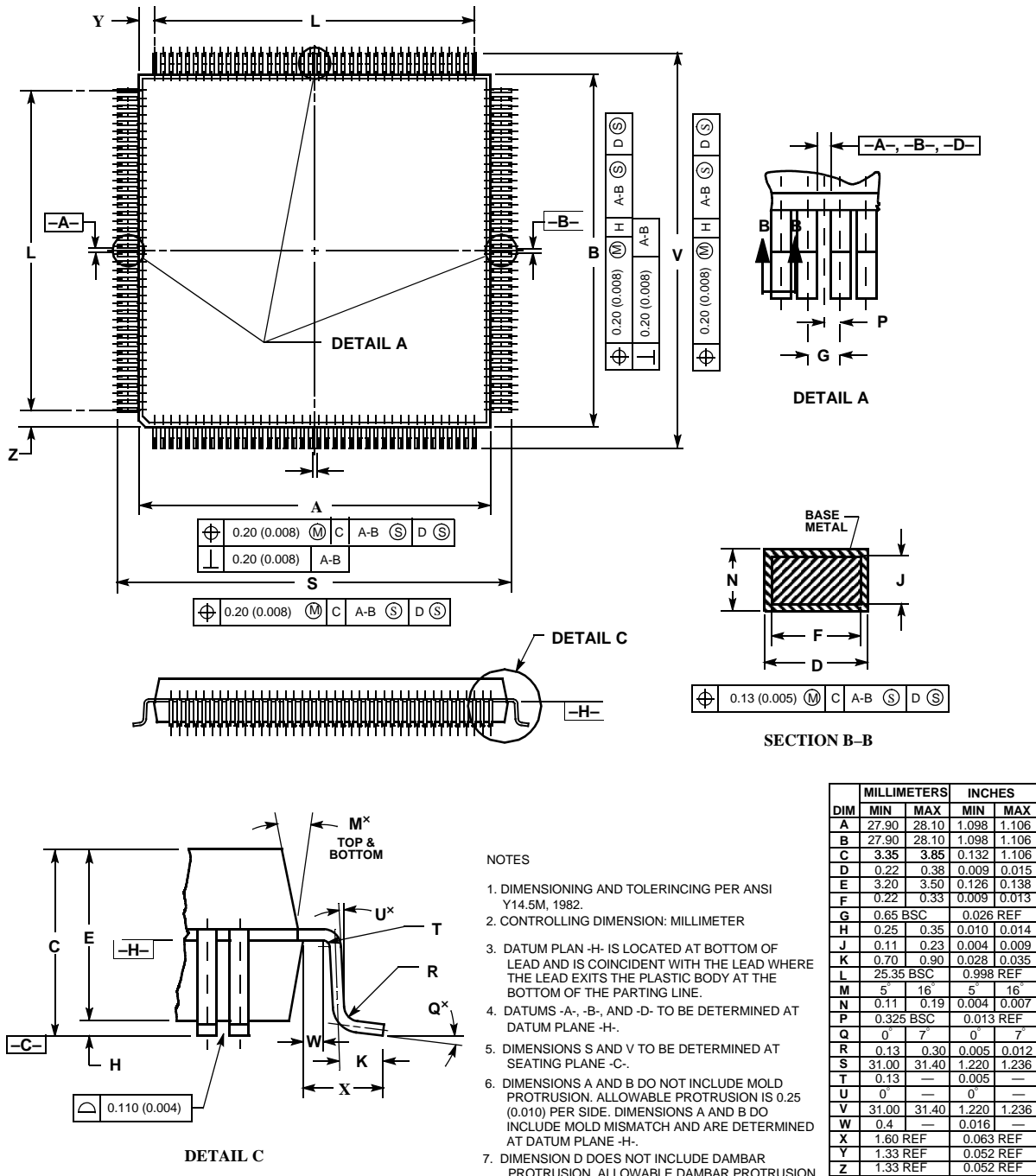


Figure 5. MCF5270/71CABxxx Pinout (160 QFP)

## 6.4 Package Dimensions—160 QFP

Figure 6 shows MCF5270/71CAB80 package dimensions.



NOTES

1. DIMENSIONING AND TOLERANCING PER ANSI Y14.5M, 1982.
2. CONTROLLING DIMENSION: MILLIMETER
3. DATUM PLAN -H- IS LOCATED AT BOTTOM OF LEAD AND IS COINCIDENT WITH THE LEAD WHERE THE LEAD EXITS THE PLASTIC BODY AT THE BOTTOM OF THE PARTING LINE.
4. DATUMS -A-, -B-, AND -D- TO BE DETERMINED AT DATUM PLANE -H-.
5. DIMENSIONS S AND V TO BE DETERMINED AT SEATING PLANE -C-.
6. DIMENSIONS A AND B DO NOT INCLUDE MOLD PROTRUSION. ALLOWABLE PROTRUSION IS 0.25 (0.010) PER SIDE. DIMENSIONS A AND B DO INCLUDE MOLD MISMATCH AND ARE DETERMINED AT DATUM PLANE -H-.
7. DIMENSION D DOES NOT INCLUDE DAMBAR PROTRUSION. ALLOWABLE DAMBAR PROTRUSION SHALL BE 0.08 (0.003) TOTAL IN EXCESS OF THE D DIMENSION AT MAXIMUM MATERIAL CONDITION. DAMBAR CANNOT BE LOCATED ON THE LOWER RADIUS OR THE FOOT.

Case 864A-03

Figure 6. 160 QFP Package Dimensions



## 6.5 Ordering Information

Table 6. Orderable Part Numbers

| Freescall Part Number | Description                 | Package    | Speed  | Lead-Free? | Temperature    |
|-----------------------|-----------------------------|------------|--------|------------|----------------|
| MCF5270AB100          | MCF5270 RISC Microprocessor | 160 QFP    | 100MHz | Yes        | 0° to +70° C   |
| MCF5270CAB100         | MCF5270 RISC Microprocessor | 160 QFP    | 100MHz | Yes        | -40° to +85° C |
| MCF5270VM100          | MCF5270 RISC Microprocessor | 196 MAPBGA | 100MHz | Yes        | 0° to +70° C   |
| MCF5270CVM150         | MCF5270 RISC Microprocessor | 196 MAPBGA | 150MHz | Yes        | -40° to +85° C |
| MCF5271CAB100         | MCF5271 RISC Microprocessor | 160 QFP    | 100MHz | Yes        | -40° to +85° C |
| MCF5271CVM100         | MCF5271 RISC Microprocessor | 196 MAPBGA | 100MHz | Yes        | -40° to +85° C |
| MCF5271CVM150         | MCF5271 RISC Microprocessor | 196 MAPBGA | 150MHz | Yes        | -40° to +85° C |

## 7 Electrical Characteristics

This chapter contains electrical specification tables and reference timing diagrams for the MCF5271 microcontroller unit. This section contains detailed information on power considerations, DC/AC electrical characteristics, and AC timing specifications of MCF5271.

### NOTE

The parameters specified in this processor document supersede any values found in the module specifications.

### 7.1 Maximum Ratings

Table 7. Absolute Maximum Ratings<sup>1, 2</sup>

| Rating   | Symbol                   | Value          | Unit |
|--|--------------------------|----------------|------|
| Core Supply Voltage  | $V_{DD}$                 | - 0.5 to +2.0  | V    |
| Pad Supply Voltage   | $OV_{DD}$                | - 0.3 to +4.0  | V    |
| PLL Supply Voltage   | $V_{DDPLL}$              | - 0.3 to +4.0  | V    |
| Digital Input Voltage <sup>3</sup>   | $V_{IN}$                 | - 0.3 to + 4.0 | V    |
| Instantaneous Maximum Current<br>Single pin limit (applies to all pins) <sup>3,4,5</sup> | $I_D$                    | 25             | mA   |
| Operating Temperature Range (Packaged)   | $T_A$<br>( $T_L - T_H$ ) | - 40 to 85     | °C   |
| Storage Temperature Range  | $T_{stg}$                | - 65 to 150    | °C   |

<sup>1</sup> Functional operating conditions are given in DC Electrical Specifications. Absolute Maximum Ratings are stress ratings only, and functional operation at the maxima is not guaranteed. Continued operation at these levels may affect device reliability or cause permanent damage to the device.

## Electrical Characteristics

- 2 This device contains circuitry protecting against damage due to high static voltage or electrical fields; however, it is advised that normal precautions be taken to avoid application of any voltages higher than maximum-rated voltages to this high-impedance circuit. Reliability of operation is enhanced if unused inputs are tied to an appropriate logic voltage level (e.g., either  $V_{SS}$  or  $OV_{DD}$ ).
- 3 Input must be current limited to the value specified. To determine the value of the required current-limiting resistor, calculate resistance values for positive and negative clamp voltages, then use the larger of the two values.
- 4 All functional non-supply pins are internally clamped to  $V_{SS}$  and  $OV_{DD}$ .
- 5 Power supply must maintain regulation within operating  $OV_{DD}$  range during instantaneous and operating maximum current conditions. If positive injection current ( $V_{in} > OV_{DD}$ ) is greater than  $I_{DD}$ , the injection current may flow out of  $OV_{DD}$  and could result in external power supply going out of regulation. Insure external  $OV_{DD}$  load will shunt current greater than maximum injection current. This will be the greatest risk when the processor is not consuming power (ex; no clock). Power supply must maintain regulation within operating  $OV_{DD}$  range during instantaneous and operating maximum current conditions.

## 7.2 Thermal Characteristics

The below table lists thermal resistance values.

**Table 8. Thermal Characteristics**

| Characteristic                          |                         | Symbol         | 196 MABGA         | 160QFP            | Unit |
|---|-------------------------|----------------|-------------------|-------------------|------|
| Junction to ambient, natural convection | Four layer board (2s2p) | $\theta_{JMA}$ | 32 <sup>1,2</sup> | 40 <sup>1,2</sup> | °C/W |
| Junction to ambient (@200 ft/min)       | Four layer board (2s2p) | $\theta_{JMA}$ | 29 <sup>1,2</sup> | 36 <sup>1,2</sup> | °C/W |
| Junction to board                       |                         | $\theta_{JB}$  | 20 <sup>3</sup>   | 25 <sup>3</sup>   | °C/W |
| Junction to case                        |                         | $\theta_{JC}$  | 10 <sup>4</sup>   | 10 <sup>4</sup>   | °C/W |
| Junction to top of package              |                         | $\Psi_{jt}$    | 2 <sup>1,5</sup>  | 2 <sup>1,5</sup>  | °C/W |
| Maximum operating junction temperature  |                         | $T_j$          | 104               | 105               | °C   |

<sup>1</sup>  $\theta_{JMA}$  and  $\Psi_{jt}$  parameters are simulated in conformance with EIA/JESD Standard 51-2 for natural convection. Motorola recommends the use of  $\theta_{JMA}$  and power dissipation specifications in the system design to prevent device junction temperatures from exceeding the rated specification. System designers should be aware that device junction temperatures can be significantly influenced by board layout and surrounding devices. Conformance to the device junction temperature specification can be verified by physical measurement in the customer's system using the  $\Psi_{jt}$  parameter, the device power dissipation, and the method described in EIA/JESD Standard 51-2.

<sup>2</sup> Per JEDEC JESD51-6 with the board horizontal.

<sup>3</sup> Thermal resistance between the die and the printed circuit board in conformance with JEDEC JESD51-8. Board temperature is measured on the top surface of the board near the package.

<sup>4</sup> Thermal resistance between the die and the case top surface as measured by the cold plate method (MIL SPEC-883 Method 1012.1).

<sup>5</sup> Thermal characterization parameter indicating the temperature difference between package top and the junction temperature per JEDEC JESD51-2. When Greek letters are not available, the thermal characterization parameter is written in conformance with Psi-JT.

The average chip-junction temperature ( $T_j$ ) in °C can be obtained from:

$$T_j = T_A + (P_D \times \theta_{JMA}) \quad (1)$$

Where:

$T_A$  = Ambient Temperature, °C

$\Theta_{JMA}$  = Package Thermal Resistance, Junction-to-Ambient, °C/W

$P_D = P_{INT} + P_{I/O}$

$P_{INT} = I_{DD} \times V_{DD}$ , Watts - Chip Internal Power

$P_{I/O}$  = Power Dissipation on Input and Output Pins — User Determined

For most applications  $P_{I/O} < P_{INT}$  and can be ignored. An approximate relationship between  $P_D$  and  $T_J$  (if  $P_{I/O}$  is neglected) is:

$$P_D = K \div (T_J + 273^\circ\text{C}) \quad (2)$$

Solving equations 1 and 2 for K gives:

$$K = P_D \times (T_A + 273^\circ\text{C}) + \Theta_{JMA} \times P_D^2 \quad (3)$$

where K is a constant pertaining to the particular part. K can be determined from equation (3) by measuring  $P_D$  (at equilibrium) for a known  $T_A$ . Using this value of K, the values of  $P_D$  and  $T_J$  can be obtained by solving equations (1) and (2) iteratively for any value of  $T_A$ .

## 7.3 DC Electrical Specifications

Table 9. DC Electrical Specifications<sup>1</sup>

| Characteristic   | Symbol      | Min                   | Typical | Max                   | Unit          |
|--|-------------|-----------------------|---------|-----------------------|---------------|
| Core Supply Voltage  | $V_{DD}$    | 1.4                   | —       | 1.6                   | V             |
| Pad Supply Voltage   | $OV_{DD}$   | 3.0                   | —       | 3.6                   | V             |
| PLL Supply Voltage   | $V_{DDPLL}$ | 3.0                   | —       | 3.6                   | V             |
| Input High Voltage   | $V_{IH}$    | $0.7 \times OV_{DD}$  | —       | 3.65                  | V             |
| Input Low Voltage  | $V_{IL}$    | $V_{SS} - 0.3$        | —       | $0.35 \times OV_{DD}$ | V             |
| Input Hysteresis   | $V_{HYS}$   | $0.06 \times OV_{DD}$ | —       | —                     | mV            |
| Input Leakage Current<br>$V_{in} = V_{DD}$ or $V_{SS}$ , Input-only pins                                       | $I_{in}$    | -1.0                  | —       | 1.0                   | $\mu\text{A}$ |
| High Impedance (Off-State) Leakage Current<br>$V_{in} = V_{DD}$ or $V_{SS}$ , All input/output and output pins | $I_{OZ}$    | -1.0                  | —       | 1.0                   | $\mu\text{A}$ |
| Output High Voltage (All input/output and all output pins)<br>$I_{OH} = -5.0 \text{ mA}$                       | $V_{OH}$    | $OV_{DD} - 0.5$       | —       | —                     | V             |
| Output Low Voltage (All input/output and all output pins)<br>$I_{OL} = 5.0 \text{ mA}$                         | $V_{OL}$    | —                     | —       | 0.5                   | V             |
| Weak Internal Pull Up Device Current, tested at $V_{IL}$ Max. <sup>2</sup>                                     | $I_{APU}$   | -10                   | —       | -130                  | $\mu\text{A}$ |
| Input Capacitance <sup>3</sup><br>All input-only pins<br>All input/output (three-state) pins                   | $C_{in}$    | —<br>—                | —       | 7<br>7                | pF            |

## Electrical Characteristics

**Table 9. DC Electrical Specifications<sup>1</sup> (continued)**

| Characteristic   | Symbol       | Min         | Typical    | Max       | Unit          |
|--|--------------|-------------|------------|-----------|---------------|
| Load Capacitance <sup>4</sup><br>Low drive strength<br>High drive strength   | $C_L$        |             | —<br>—     | 25<br>50  | pF<br>pF      |
| Core Operating Supply Current <sup>5</sup><br>Master Mode  | $I_{DD}$     | —           | 135        | 150       | mA            |
| Pad Operating Supply Current<br>Master Mode<br>Low Power Modes   | $O_{I_{DD}}$ | —<br>—      | 100<br>TBD | —<br>—    | mA<br>$\mu$ A |
| DC Injection Current <sup>3, 6, 7, 8</sup><br>$V_{NEGCLAMP} = V_{SS} - 0.3$ V, $V_{POSCLAMP} = V_{DD} + 0.3$<br>Single Pin Limit<br>Total processor Limit, Includes sum of all stressed pins | $I_{IC}$     | —1.0<br>—10 |            | 1.0<br>10 | mA<br>mA      |

<sup>1</sup> Refer to Table 10 for additional PLL specifications.

<sup>2</sup> Refer to the MCF5271 signals section for pins having weak internal pull-up devices.

<sup>3</sup> This parameter is characterized before qualification rather than 100% tested.

<sup>4</sup> pF load ratings are based on DC loading and are provided as an indication of driver strength. High speed interfaces require transmission line analysis to determine proper drive strength and termination. See [High Speed Signal Propagation: Advanced Black Magic](#) by Howard W. Johnson for design guidelines.

<sup>5</sup> Current measured at maximum system clock frequency, all modules active, and default drive strength with matching load.

<sup>6</sup> All functional non-supply pins are internally clamped to  $V_{SS}$  and their respective  $V_{DD}$ .

<sup>7</sup> Input must be current limited to the value specified. To determine the value of the required current-limiting resistor, calculate resistance values for positive and negative clamp voltages, then use the larger of the two values.

<sup>8</sup> Power supply must maintain regulation within operating  $V_{DD}$  range during instantaneous and operating maximum current conditions. If positive injection current ( $V_{in} > V_{DD}$ ) is greater than  $I_{DD}$ , the injection current may flow out of  $V_{DD}$  and could result in external power supply going out of regulation. Insure external  $V_{DD}$  load will shunt current greater than maximum injection current. This will be the greatest risk when the processor is not consuming power. Examples are: if no system clock is present, or if clock rate is very low which would reduce overall power consumption. Also, at power-up, system clock is not present during the power-up sequence until the PLL has attained lock.

## 7.4 Oscillator and PLLRFM Electrical Characteristics

**Table 10. HiP7 PLLRFM Electrical Specifications<sup>1</sup>**

| Num | Characteristic  | Symbol   | Min. Value             | Max. Value      | Unit              |
|-----|---|--|------------------------|-----------------|-------------------|
| 1   | PLL Reference Frequency Range<br>Crystal reference<br>External reference<br>1:1 mode (NOTE: $f_{sys/2} = 2 \times f_{ref\_1:1}$ ) | $f_{ref\_crystal}$<br>$f_{ref\_ext}$<br>$f_{ref\_1:1}$ | 8<br>8<br>24           | 25<br>25<br>75  | MHz               |
| 2   | Core frequency<br>CLKOUT Frequency <sup>2</sup><br>External reference<br>On-Chip PLL Frequency                                    | $f_{sys}$<br>$f_{sys/2}$                               | 0<br>$f_{ref} \div 32$ | 150<br>75<br>75 | MHz<br>MHz<br>MHz |
| 3   | Loss of Reference Frequency <sup>3, 5</sup>   | $f_{LOR}$  | 100                    | 1000            | kHz               |
| 4   | Self Clocked Mode Frequency <sup>4, 5</sup>   | $f_{SCM}$  | 10.25                  | 15.25           | MHz               |
| 5   | Crystal Start-up Time <sup>5, 6</sup>   | $t_{cst}$  | —                      | 10              | ms                |

Table 10. HiP7 PLLMRFM Electrical Specifications<sup>1</sup> (continued)

| Num | Characteristic  | Symbol       | Min. Value | Max. Value | Unit          |
|-----|---|--------------|------------|------------|---------------|
| 6   | XTAL Load Capacitance <sup>5</sup>  |              | 5          | 30         | pF            |
| 7   | PLL Lock Time <sup>5, 7, 13</sup>   | $t_{pll}$    | —          | 750        | $\mu$ s       |
| 8   | Power-up To Lock Time <sup>5, 6, 8</sup><br>With Crystal Reference (includes 5 time)<br>Without Crystal Reference <sup>9</sup>  | $t_{plk}$    | —<br>—     | 11<br>750  | ms<br>$\mu$ s |
| 9   | 1:1 Mode Clock Skew (between CLKOUT and EXTAL) <sup>10</sup>  | $t_{skew}$   | -1         | 1          | ns            |
| 10  | Duty Cycle of reference <sup>5</sup>  | $t_{dc}$     | 40         | 60         | %             |
| 11  | Frequency un-LOCK Range   | $f_{UL}$     | -3.8       | 4.1        | % $f_{sys/2}$ |
| 12  | Frequency LOCK Range  | $f_{LCK}$    | -1.7       | 2.0        | % $f_{sys/2}$ |
| 13  | CLKOUT Period Jitter, <sup>5, 6, 8, 11, 12</sup><br>Measured at $f_{sys/2}$ Max<br>Peak-to-peak Jitter (Clock edge to clock edge)<br>Long Term Jitter (Averaged over 2 ms interval) | $C_{jitter}$ | —<br>—     | 5.0<br>.01 | % $f_{sys/2}$ |
| 14  | Frequency Modulation Range Limit <sup>13, 14</sup><br>( $f_{sys/2}$ Max must not be exceeded)   | $C_{mod}$    | 0.8        | 2.2        | % $f_{sys/2}$ |
| 15  | ICO Frequency. $f_{ico} = f_{ref} \times 2 \times (MFD+2)$ <sup>15</sup>  | $f_{ico}$    | 48         | 150        | MHz           |

<sup>1</sup> All values given are initial design targets and subject to change.

<sup>2</sup> All internal registers retain data at 0 Hz.

<sup>3</sup> "Loss of Reference Frequency" is the reference frequency detected internally, which transitions the PLL into self clocked mode.

<sup>4</sup> Self clocked mode frequency is the frequency that the PLL operates at when the reference frequency falls below  $f_{LOR}$  with default MFD/RFD settings.

<sup>5</sup> This parameter is guaranteed by characterization before qualification rather than 100% tested.

<sup>6</sup> Proper PC board layout procedures must be followed to achieve specifications.

<sup>7</sup> This specification applies to the period required for the PLL to relock after changing the MFD frequency control bits in the synthesizer control register (SYNCR).

<sup>8</sup> Assuming a reference is available at power up, lock time is measured from the time  $V_{DD}$  and  $V_{DDSYN}$  are valid to  $\overline{RSTOUT}$  negating. If the crystal oscillator is being used as the reference for the PLL, then the crystal start up time must be added to the PLL lock time to determine the total start-up time.

<sup>9</sup>  $t_{pll} = (64 \cdot 4 \cdot 5 + 5 \cdot \tau) \cdot T_{ref}$ , where  $T_{ref} = 1/F_{ref\_crystal} = 1/F_{ref\_ext} = 1/F_{ref\_1:1}$ , and  $\tau = 1.57 \times 10^{-6} \cdot 2(MFD + 2)$ .

<sup>10</sup> PLL is operating in 1:1 PLL mode.

<sup>11</sup> Jitter is the average deviation from the programmed frequency measured over the specified interval at maximum  $f_{sys/2}$ . Measurements are made with the device powered by filtered supplies and clocked by a stable external clock signal. Noise injected into the PLL circuitry via  $V_{DDSYN}$  and  $V_{SSSYN}$  and variation in crystal oscillator frequency increase the  $C_{jitter}$  percentage for a given interval.

<sup>12</sup> Values are with frequency modulation disabled. If frequency modulation is enabled, jitter is the sum of  $C_{jitter} + C_{mod}$ .

<sup>13</sup> Modulation percentage applies over an interval of 10 $\mu$ s, or equivalently the modulation rate is 100KHz.

<sup>14</sup> Modulation rate selected must not result in  $f_{sys/2}$  value greater than the  $f_{sys/2}$  maximum specified value. Modulation range determined by hardware design.

<sup>15</sup>  $f_{sys/2} = f_{ico} / (2 \cdot 2^{RFD})$

## 7.5 External Interface Timing Characteristics

Table 11 lists processor bus input timings.

### NOTE

All processor bus timings are synchronous; that is, input setup/hold and output delay with respect to the rising edge of a reference clock. The reference clock is the CLKOUT output.

All other timing relationships can be derived from these values.

**Table 11. Processor Bus Input Timing Specifications**

| Name                  | Characteristic <sup>1</sup>  | Symbol      | Min | Max  | Unit |
|-----------------------|--|-------------|-----|------|------|
| freq                  | System bus frequency   | $f_{sys/2}$ | 50  | 75   | MHz  |
| B0                    | CLKOUT period  | $t_{cyc}$   | —   | 1/75 | ns   |
| <b>Control Inputs</b> |  |             |     |      |      |
| B1a                   | Control input valid to CLKOUT high <sup>2</sup>                                  | $t_{CVCH}$  | 9   | —    | ns   |
| B1b                   | $\overline{BKPT}$ valid to CLKOUT high <sup>3</sup>                              | $t_{BKVCH}$ | 9   | —    | ns   |
| B2a                   | CLKOUT high to control inputs invalid <sup>2</sup>                               | $t_{CHCII}$ | 0   | —    | ns   |
| B2b                   | CLKOUT high to asynchronous control input $\overline{BKPT}$ invalid <sup>3</sup> | $t_{BKNCH}$ | 0   | —    | ns   |
| <b>Data Inputs</b>    |  |             |     |      |      |
| B4                    | Data input (D[31:0]) valid to CLKOUT high  | $t_{DIVCH}$ | 4   | —    | ns   |
| B5                    | CLKOUT high to data input (D[31:0]) invalid                                      | $t_{CHDII}$ | 0   | —    | ns   |

<sup>1</sup> Timing specifications are tested using full drive strength pad configurations in a 50ohm transmission line environment..

<sup>2</sup>  $\overline{TEA}$  and  $\overline{TA}$  pins are being referred to as control inputs.

<sup>3</sup> Refer to figure A-19.

Timings listed in Table 11 are shown in Figure 7.

\* The timings are also valid for inputs sampled on the negative clock edge.

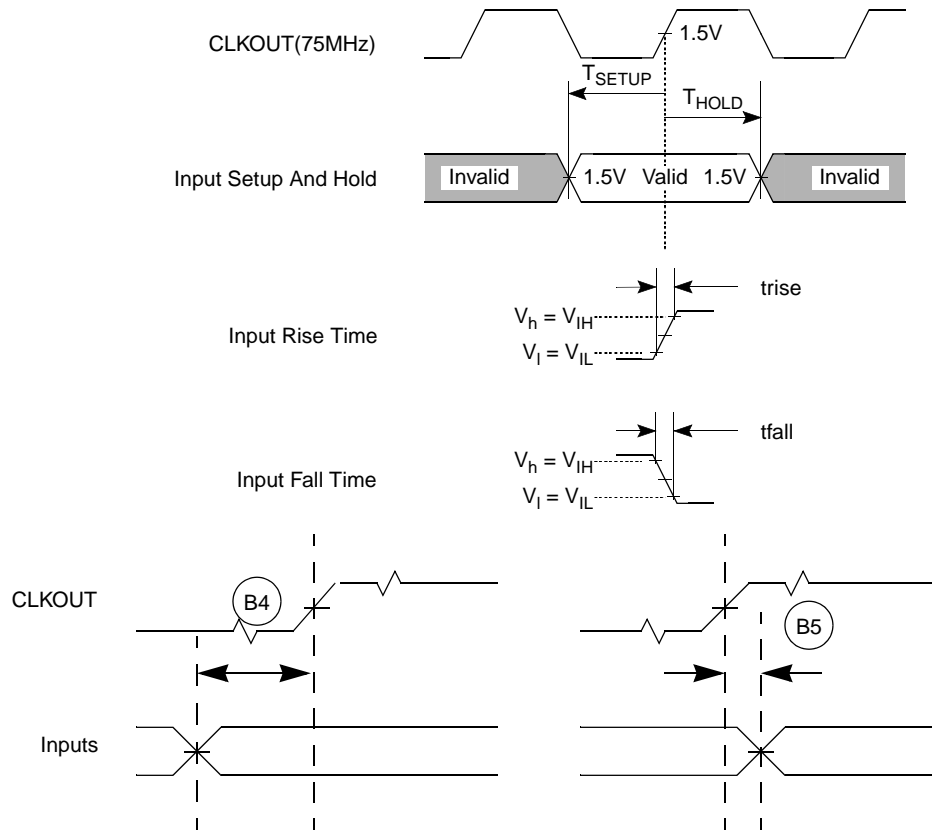


Figure 7. General Input Timing Requirements

## 7.6 Processor Bus Output Timing Specifications

Table 12 lists processor bus output timings.

Table 12. External Bus Output Timing Specifications

| Name                   | Characteristic   | Symbol      | Min                | Max              | Unit |
|------------------------|--|-------------|--------------------|------------------|------|
| <b>Control Outputs</b> |  |             |                    |                  |      |
| B6a                    | CLKOUT high to chip selects valid <sup>1</sup>                                   | $t_{CHCV}$  | —                  | $0.5t_{CYC} + 5$ | ns   |
| B6b                    | CLKOUT high to byte enables ( $\overline{BS}[3:0]$ ) valid <sup>2</sup>          | $t_{CHBV}$  | —                  | $0.5t_{CYC} + 5$ | ns   |
| B6c                    | CLKOUT high to output enable ( $\overline{OE}$ ) valid <sup>3</sup>              | $t_{CHOV}$  | —                  | $0.5t_{CYC} + 5$ | ns   |
| B7                     | CLKOUT high to control output ( $\overline{BS}[3:0]$ , $\overline{OE}$ ) invalid | $t_{CHCOI}$ | $0.5t_{CYC} + 1.5$ | —                | ns   |
| B7a                    | CLKOUT high to chip selects invalid  | $t_{CHCI}$  | $0.5t_{CYC} + 1.5$ | —                | ns   |

Table 12. External Bus Output Timing Specifications (continued)

| Name                                 | Characteristic  | Symbol      | Min | Max | Unit |
|--------------------------------------|---|-------------|-----|-----|------|
| <b>Address and Attribute Outputs</b> |   |             |     |     |      |
| B8                                   | CLKOUT high to address (A[23:0]) and control ( $\overline{TS}$ , $\overline{TSIZ}[1:0]$ , $\overline{TIP}$ , $\overline{R/W}$ ) valid   | $t_{CHAV}$  | —   | 9   | ns   |
| B9                                   | CLKOUT high to address (A[23:0]) and control ( $\overline{TS}$ , $\overline{TSIZ}[1:0]$ , $\overline{TIP}$ , $\overline{R/W}$ ) invalid | $t_{CHAI}$  | 1.5 | —   | ns   |
| <b>Data Outputs</b>                  |   |             |     |     |      |
| B11                                  | CLKOUT high to data output (D[31:0]) valid  | $t_{CHDOV}$ | —   | 9   | ns   |
| B12                                  | CLKOUT high to data output (D[31:0]) invalid  | $t_{CHDOI}$ | 1.5 | —   | ns   |
| B13                                  | CLKOUT high to data output (D[31:0]) high impedance   | $t_{CHDOZ}$ | —   | 9   | ns   |

<sup>1</sup>  $\overline{CS}$  transitions after the falling edge of CLKOUT.

<sup>2</sup>  $\overline{BS}$  transitions after the falling edge of CLKOUT.

<sup>3</sup>  $\overline{OE}$  transitions after the falling edge of CLKOUT.



Read/write bus timings listed in Table 12 are shown in Figure 8, Figure 9, and Figure 10.

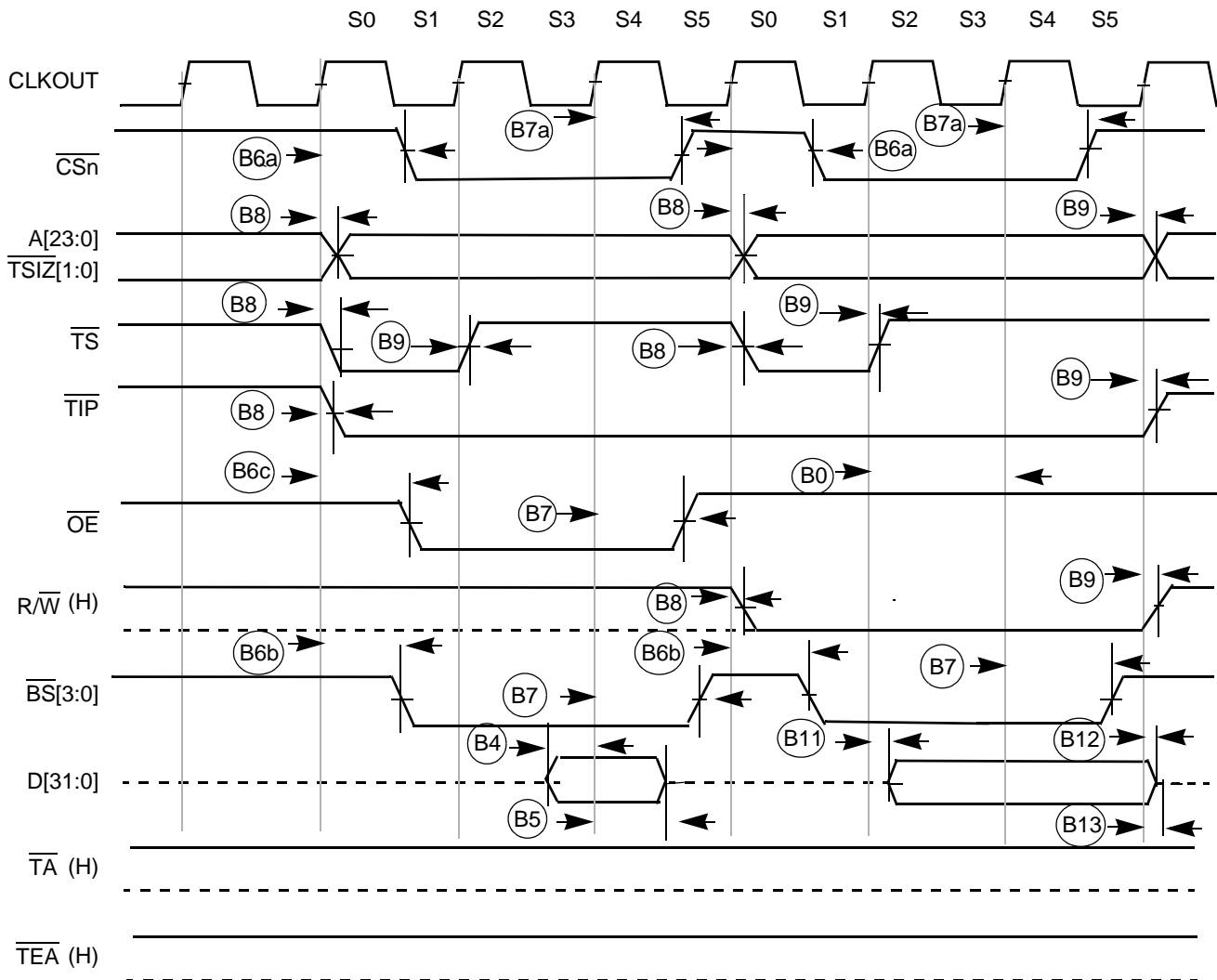


Figure 8. Read/Write (Internally Terminated) SRAM Bus Timing

Figure 9 shows a bus cycle terminated by  $\overline{TA}$  showing timings listed in Table 12.

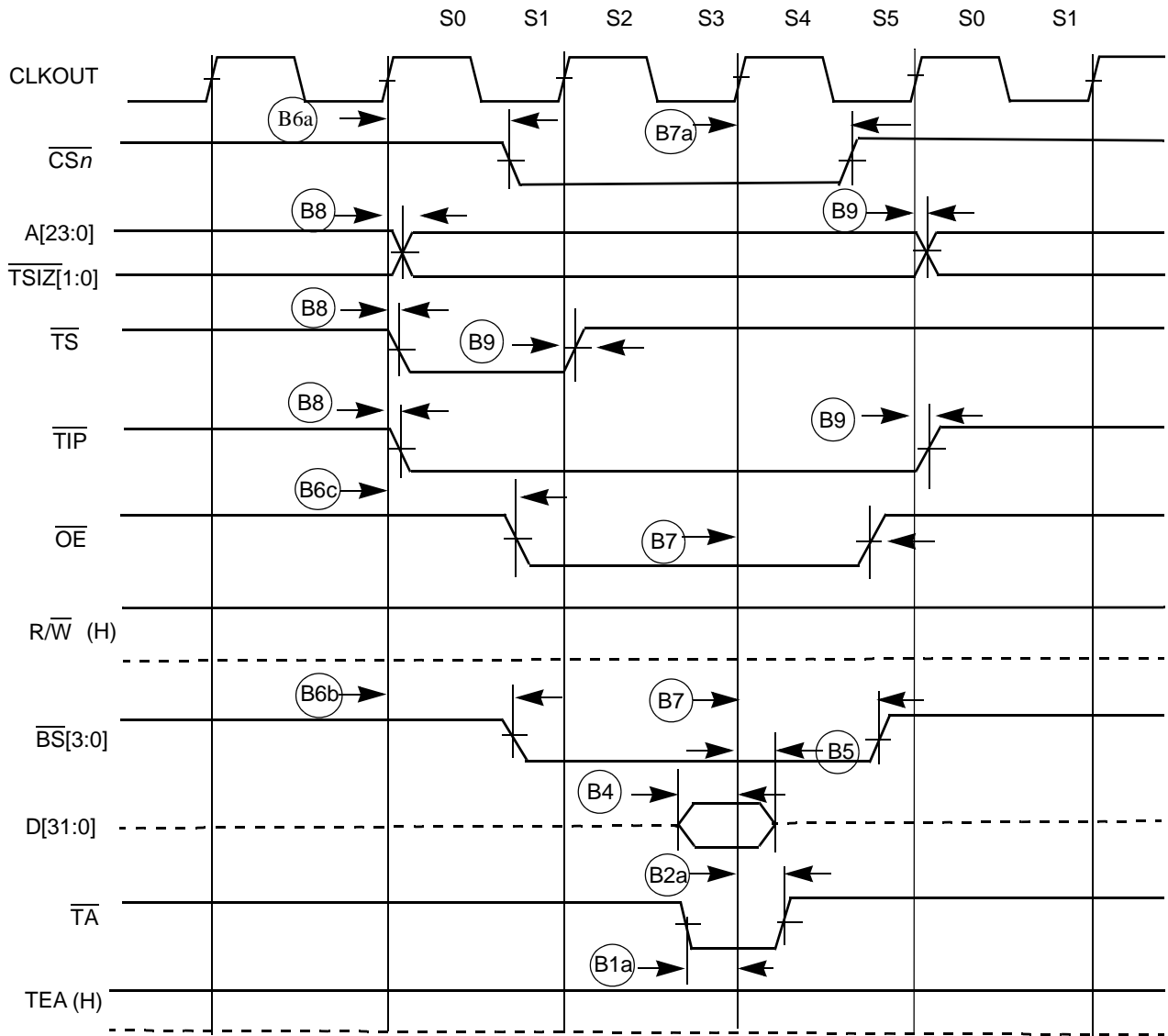


Figure 9. SRAM Read Bus Cycle Terminated by  $\overline{TA}$

Figure 10 shows an SRAM bus cycle terminated by  $\overline{TEA}$  showing timings listed in Table 12.

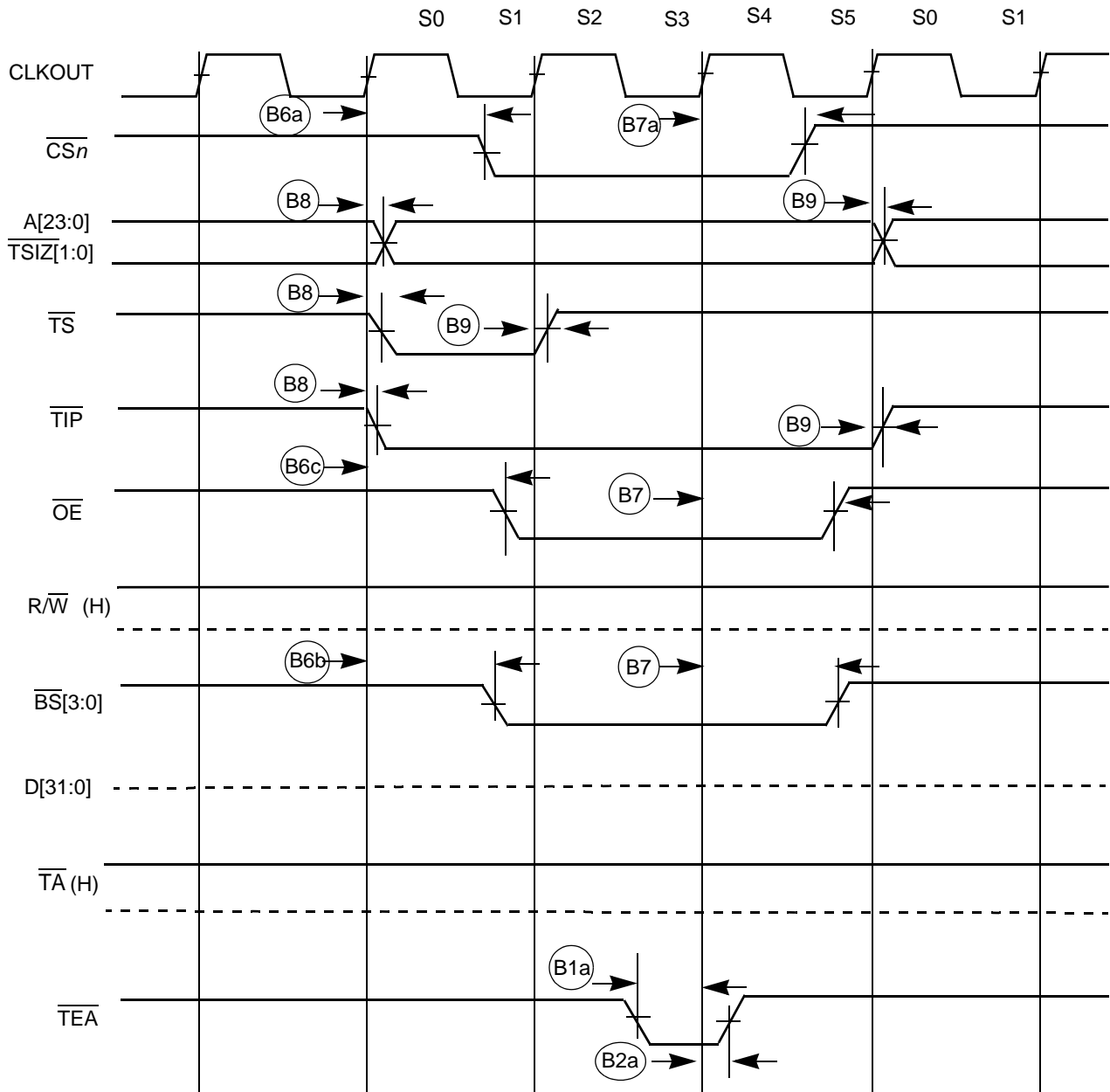


Figure 10. SRAM Read Bus Cycle Terminated by  $\overline{TEA}$

Figure 11 shows an SDRAM read cycle.

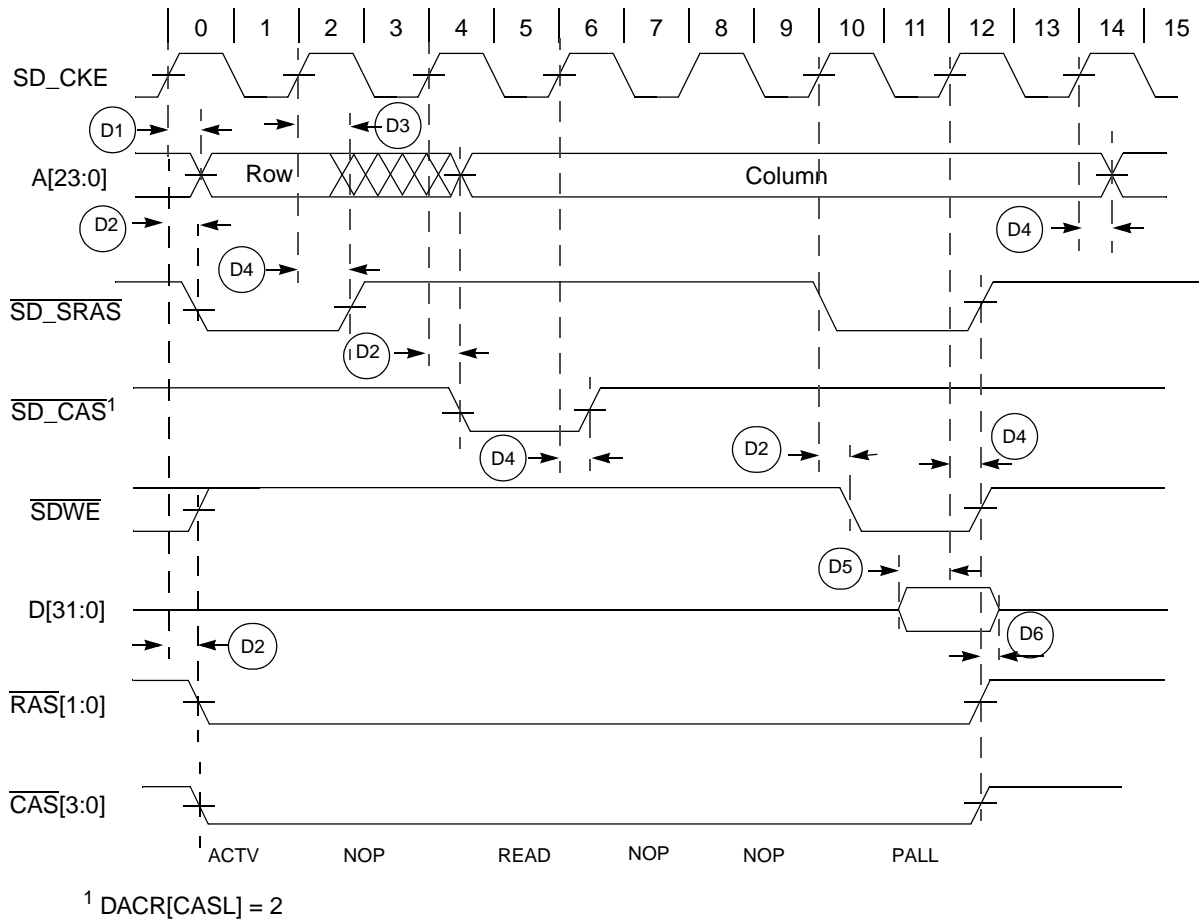


Figure 11. SDRAM Read Cycle

Table 13. SDRAM Timing

| NUM             | Characteristic                       | Symbol       | Min | Max | Unit |
|-----------------|--------------------------------------|--------------|-----|-----|------|
| D1              | CLKOUT high to SDRAM address valid   | $t_{CHDAV}$  | —   | 9   | ns   |
| D2              | CLKOUT high to SDRAM control valid   | $t_{CHDCV}$  | —   | 9   | ns   |
| D3              | CLKOUT high to SDRAM address invalid | $t_{CHDAI}$  | 1.5 | —   | ns   |
| D4              | CLKOUT high to SDRAM control invalid | $t_{CHDCI}$  | 1.5 | —   | ns   |
| D5              | SDRAM data valid to CLKOUT high      | $t_{DDVCH}$  | 4   | —   | ns   |
| D6              | CLKOUT high to SDRAM data invalid    | $t_{CHDDI}$  | 1.5 | —   | ns   |
| D7 <sup>1</sup> | CLKOUT high to SDRAM data valid      | $t_{CHDDVW}$ | —   | 9   | ns   |
| D8 <sup>1</sup> | CLKOUT high to SDRAM data invalid    | $t_{CHDDIW}$ | 1.5 | —   | ns   |

<sup>1</sup> D7 and D8 are for write cycles only.

Figure 12 shows an SDRAM write cycle.

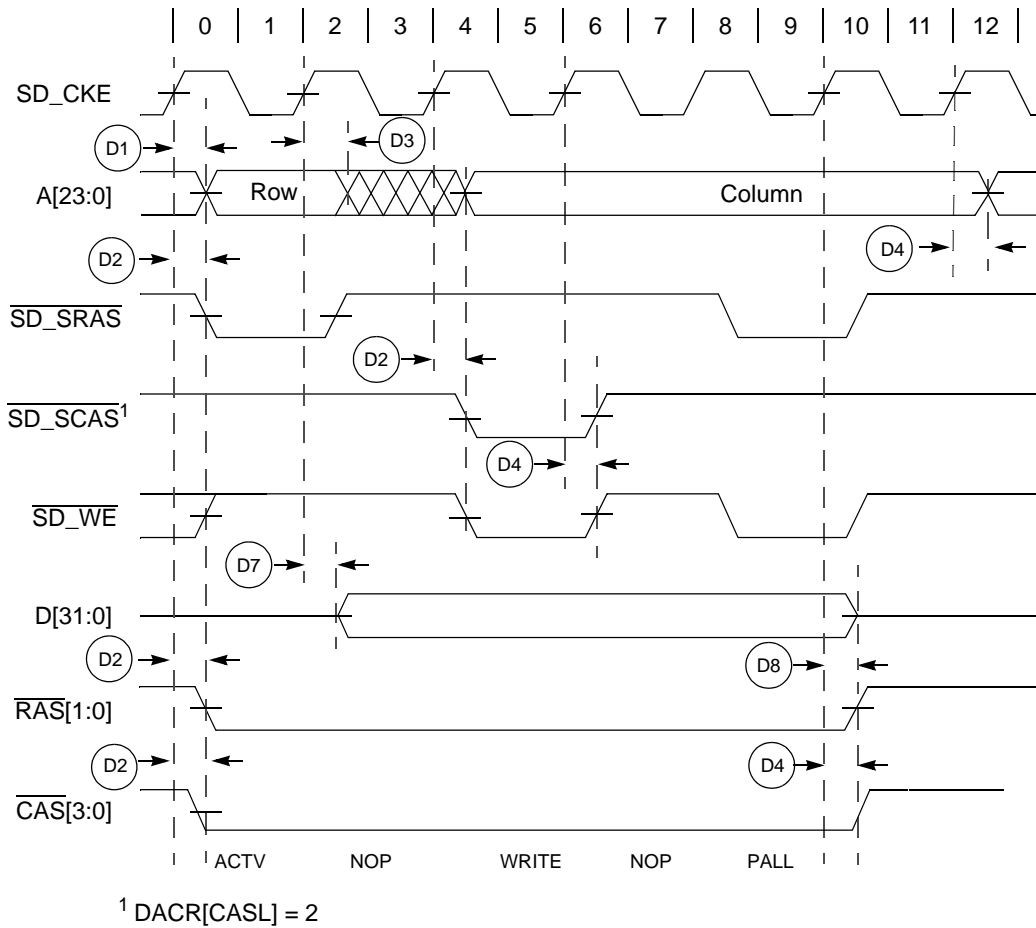


Figure 12. SDRAM Write Cycle

## 7.7 General Purpose I/O Timing

Table 14. GPIO Timing<sup>1</sup>

| NUM | Characteristic                     | Symbol      | Min | Max | Unit |
|-----|------------------------------------|-------------|-----|-----|------|
| G1  | CLKOUT High to GPIO Output Valid   | $t_{CHPOV}$ | —   | 10  | ns   |
| G2  | CLKOUT High to GPIO Output Invalid | $t_{CHPOI}$ | 1.5 | —   | ns   |
| G3  | GPIO Input Valid to CLKOUT High    | $t_{PVCH}$  | 9   | —   | ns   |
| G4  | CLKOUT High to GPIO Input Invalid  | $t_{CHPI}$  | 1.5 | —   | ns   |

<sup>1</sup> GPIO pins include: INT, UART, Timer,  $\overline{DREQn}$  and  $\overline{DACKn}$  pins.

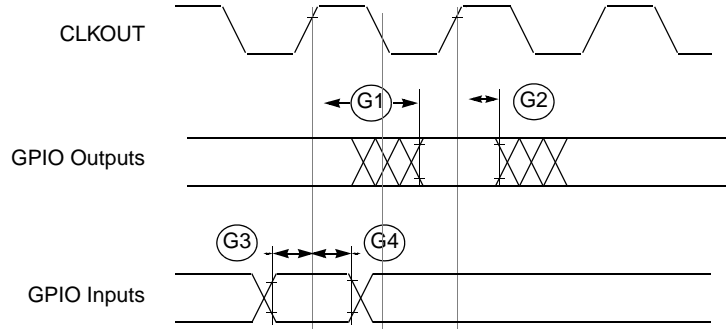


Figure 13. GPIO Timing

## 7.8 Reset and Configuration Override Timing

Table 15. Reset and Configuration Override Timing  
( $V_{DD} = 2.7$  to  $3.6$  V,  $V_{SS} = 0$  V,  $T_A = T_L$  to  $T_H$ )<sup>1</sup>

| NUM | Characteristic  | Symbol      | Min | Max | Unit      |
|-----|---|-------------|-----|-----|-----------|
| R1  | $\overline{\text{RESET}}$ Input valid to CLKOUT High                        | $t_{RVCH}$  | 9   | —   | ns        |
| R2  | CLKOUT High to $\overline{\text{RESET}}$ Input invalid                      | $t_{CHRI}$  | 1.5 | —   | ns        |
| R3  | $\overline{\text{RESET}}$ Input valid Time <sup>2</sup>                     | $t_{RIVT}$  | 5   | —   | $t_{CYC}$ |
| R4  | CLKOUT High to $\overline{\text{RSTOUT}}$ Valid                             | $t_{CHROV}$ | —   | 10  | ns        |
| R5  | $\overline{\text{RSTOUT}}$ valid to Config. Overrides valid                 | $t_{ROVCV}$ | 0   | —   | ns        |
| R6  | Configuration Override Setup Time to $\overline{\text{RSTOUT}}$ invalid     | $t_{COS}$   | 20  | —   | $t_{CYC}$ |
| R7  | Configuration Override Hold Time after $\overline{\text{RSTOUT}}$ invalid   | $t_{COH}$   | 0   | —   | ns        |
| R8  | $\overline{\text{RSTOUT}}$ invalid to Configuration Override High Impedance | $t_{ROICZ}$ | —   | 1   | $t_{CYC}$ |

<sup>1</sup> All AC timing is shown with respect to 50%  $V_{DD}$  levels unless otherwise noted.

<sup>2</sup> During low power STOP, the synchronizers for the  $\overline{\text{RESET}}$  input are bypassed and  $\overline{\text{RESET}}$  is asserted asynchronously to the system. Thus,  $\overline{\text{RESET}}$  must be held a minimum of 100 ns.

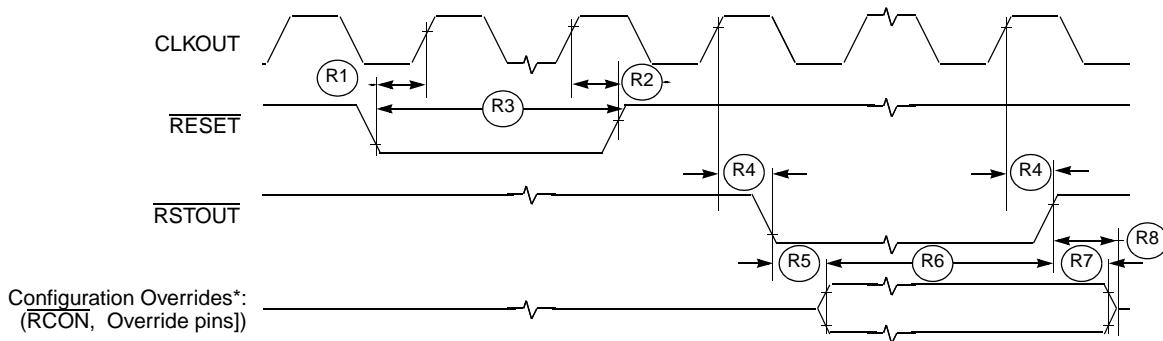


Figure 14.  $\overline{\text{RESET}}$  and Configuration Override Timing

Refer to the chip configuration module (CCM) chapter in the device’s reference manual for more information.

## 7.9 I<sup>2</sup>C Input/Output Timing Specifications

Table 16 lists specifications for the I<sup>2</sup>C input timing parameters shown in Figure 15.

**Table 16. I<sup>2</sup>C Input Timing Specifications between I2C\_SCL and I2C\_SDA**

| Num | Characteristic   | Min | Max | Units            |
|-----|--|-----|-----|------------------|
| I1  | Start condition hold time  | 2   | —   | t <sub>cyc</sub> |
| I2  | Clock low period   | 8   | —   | t <sub>cyc</sub> |
| I3  | I2C_SCL/I2C_SDA rise time (V <sub>IL</sub> = 0.5 V to V <sub>IH</sub> = 2.4 V) | —   | 1   | ms               |
| I4  | Data hold time   | 0   | —   | ns               |
| I5  | I2C_SCL/I2C_SDA fall time (V <sub>IH</sub> = 2.4 V to V <sub>IL</sub> = 0.5 V) | —   | 1   | ms               |
| I6  | Clock high time  | 4   | —   | t <sub>cyc</sub> |
| I7  | Data setup time  | 0   | —   | ns               |
| I8  | Start condition setup time (for repeated start condition only)                 | 2   | —   | t <sub>cyc</sub> |
| I9  | Stop condition setup time  | 2   | —   | t <sub>cyc</sub> |

Table 17 lists specifications for the I<sup>2</sup>C output timing parameters shown in Figure 15.

**Table 17. I<sup>2</sup>C Output Timing Specifications between I2C\_SCL and I2C\_SDA**

| Num             | Characteristic   | Min | Max | Units            |
|-----------------|--|-----|-----|------------------|
| I1 <sup>1</sup> | Start condition hold time  | 6   | —   | t <sub>cyc</sub> |
| I2 <sup>1</sup> | Clock low period   | 10  | —   | t <sub>cyc</sub> |
| I3 <sup>2</sup> | I2C_SCL/I2C_SDA rise time (V <sub>IL</sub> = 0.5 V to V <sub>IH</sub> = 2.4 V) | —   | —   | μs               |
| I4 <sup>1</sup> | Data hold time   | 7   | —   | t <sub>cyc</sub> |
| I5 <sup>3</sup> | I2C_SCL/I2C_SDA fall time (V <sub>IH</sub> = 2.4 V to V <sub>IL</sub> = 0.5 V) | —   | 3   | ns               |
| I6 <sup>1</sup> | Clock high time  | 10  | —   | t <sub>cyc</sub> |
| I7 <sup>1</sup> | Data setup time  | 2   | —   | t <sub>cyc</sub> |
| I8 <sup>1</sup> | Start condition setup time (for repeated start condition only)                 | 20  | —   | t <sub>cyc</sub> |
| I9 <sup>1</sup> | Stop condition setup time  | 10  | —   | t <sub>cyc</sub> |

<sup>1</sup> Note: Output numbers depend on the value programmed into the IFDR; an IFDR programmed with the maximum frequency (IFDR = 0x20) results in minimum output timings as shown in Table 17. The I<sup>2</sup>C interface is designed to scale the actual data transition time to move it to the middle of the I2C\_SCL low period. The actual position is affected by the prescale and division values programmed into the IFDR; however, the numbers given in Table 17 are minimum values.

<sup>2</sup> Because I2C\_SCL and I2C\_SDA are open-collector-type outputs, which the processor can only actively drive low, the time I2C\_SCL or I2C\_SDA take to reach a high level depends on external signal capacitance and pull-up resistor values.

<sup>3</sup> Specified at a nominal 50-pF load.

Figure 15 shows timing for the values in Table 16 and Table 17.

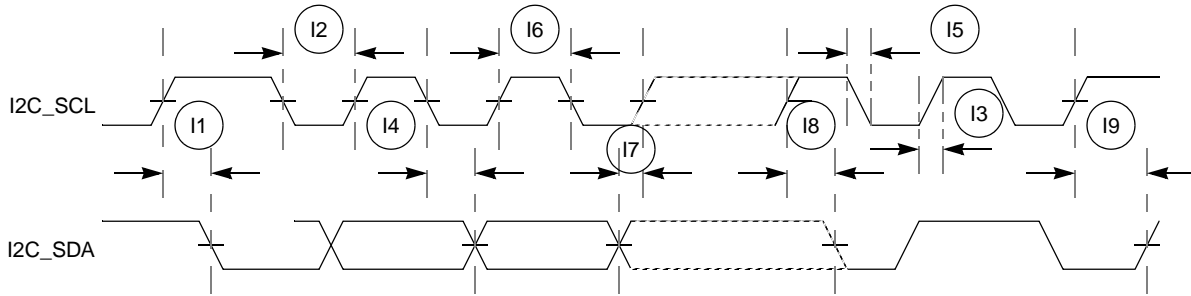


Figure 15. I<sup>2</sup>C Input/Output Timings

## 7.10 Fast Ethernet AC Timing Specifications

MII signals use TTL signal levels compatible with devices operating at either 5.0 V or 3.3 V.

### 7.10.1 MII Receive Signal Timing (ERXD[3:0], ERXDV, ERXER, and ERXCLK)

The receiver functions correctly up to a ERXCLK maximum frequency of 25 MHz +1%. The processor clock frequency must exceed twice the ERXCLK frequency.

Table 18 lists MII receive channel timings.

Table 18. MII Receive Signal Timing

| Num | Characteristic                          | Min | Max | Unit          |
|-----|---|-----|-----|---------------|
| M1  | ERXD[3:0], ERXDV, ERXER to ERXCLK setup | 5   | —   | ns            |
| M2  | ERXCLK to ERXD[3:0], ERXDV, ERXER hold  | 5   | —   | ns            |
| M3  | ERXCLK pulse width high                 | 35% | 65% | ERXCLK period |
| M4  | ERXCLK pulse width low                  | 35% | 65% | ERXCLK period |

Figure 16 shows MII receive signal timings listed in Table 18.

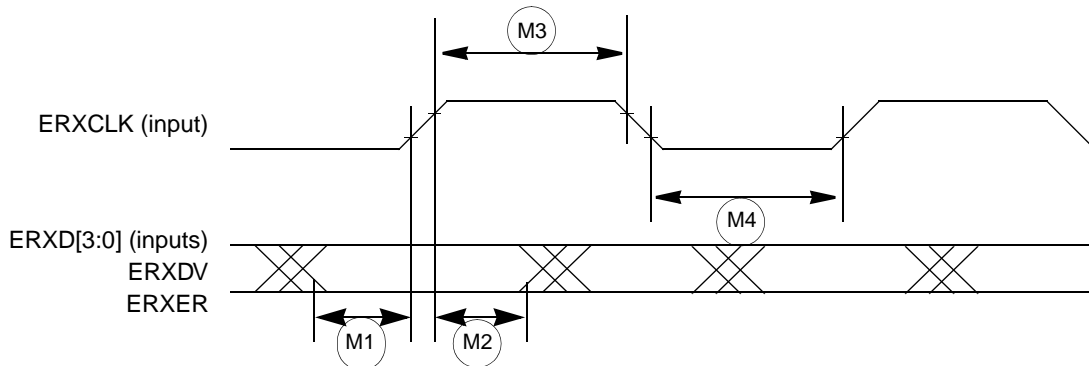


Figure 16. MII Receive Signal Timing Diagram



### 7.10.2 MII Transmit Signal Timing (ETXD[3:0], ETXEN, ETXER, ETXCLK)

Table 19 lists MII transmit channel timings.

The transmitter functions correctly up to a ETXCLK maximum frequency of 25 MHz +1%. The processor clock frequency must exceed twice the ETXCLK frequency.

Table 19. MII Transmit Signal Timing

| Num | Characteristic                            | Min | Max | Unit          |
|-----|---|-----|-----|---------------|
| M5  | ETXCLK to ETXD[3:0], ETXEN, ETXER invalid | 5   | —   | ns            |
| M6  | ETXCLK to ETXD[3:0], ETXEN, ETXER valid   | —   | 25  | ns            |
| M7  | ETXCLK pulse width high                   | 35% | 65% | ETXCLK period |
| M8  | ETXCLK pulse width low                    | 35% | 65% | ETXCLK period |

Figure 17 shows MII transmit signal timings listed in Table 19.

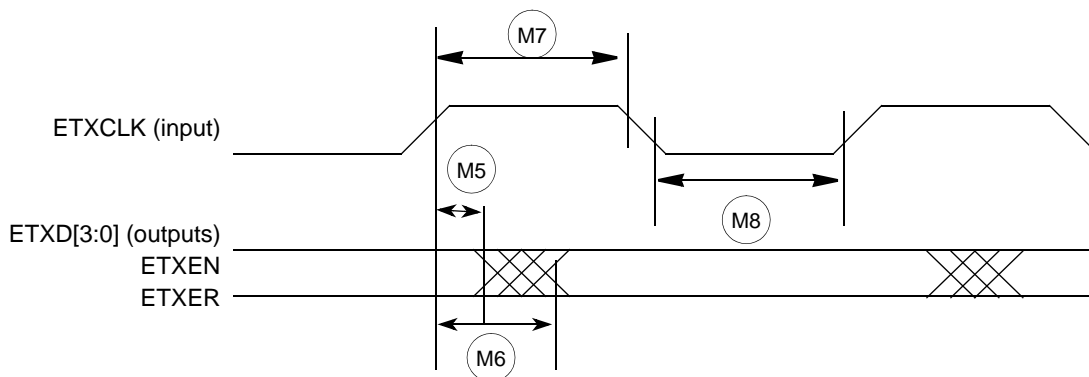


Figure 17. MII Transmit Signal Timing Diagram

### 7.10.3 MII Async Inputs Signal Timing (ECRS and ECOL)

Table 20 lists MII asynchronous inputs signal timing.

Table 20. MII Async Inputs Signal Timing

| Num | Characteristic                 | Min | Max | Unit          |
|-----|--------------------------------|-----|-----|---------------|
| M9  | ECRS, ECOL minimum pulse width | 1.5 | —   | ETXCLK period |

Figure 18 shows MII asynchronous input timings listed in Table 20.



Figure 18. MII Async Inputs Timing Diagram

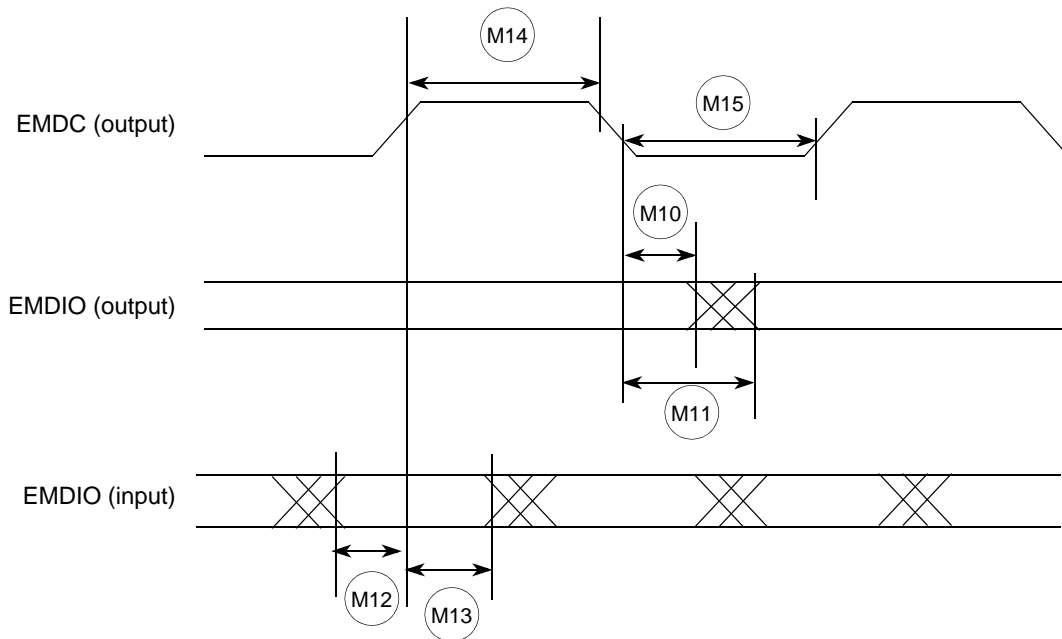
### 7.10.4 MII Serial Management Channel Timing (EMDIO and EMDC)

Table 21 lists MII serial management channel timings. The FEC functions correctly with a maximum MDC frequency of 2.5 MHz.

**Table 21. MII Serial Management Channel Timing**

| Num | Characteristic  | Min | Max | Unit       |
|-----|---|-----|-----|------------|
| M10 | EMDC falling edge to EMDIO output invalid (minimum propagation delay) | 0   | —   | ns         |
| M11 | EMDC falling edge to EMDIO output valid (max prop delay)              | —   | 25  | ns         |
| M12 | EMDIO (input) to EMDC rising edge setup                               | 10  | —   | ns         |
| M13 | EMDIO (input) to EMDC rising edge hold                                | 0   | —   | ns         |
| M14 | EMDC pulse width high   | 40% | 60% | MDC period |
| M15 | EMDC pulse width low  | 40% | 60% | MDC period |

Figure 19 shows MII serial management channel timings listed in Table 21.



**Figure 19. MII Serial Management Channel Timing Diagram**

## 7.11 32-Bit Timer Module AC Timing Specifications

Table 22 lists timer module AC timings.

Table 22. Timer Module AC Timing Specifications

| Name | Characteristic                            | 0–66 MHz |     | Unit             |
|------|---|----------|-----|------------------|
|      |   | Min      | Max |                  |
| T1   | DT0IN / DT1IN / DT2IN / DT3IN cycle time  | 3        | —   | t <sub>CYC</sub> |
| T2   | DT0IN / DT1IN / DT2IN / DT3IN pulse width | 1        | —   | t <sub>CYC</sub> |

## 7.12 QSPI Electrical Specifications

Table 23 lists QSPI timings.

Table 23. QSPI Modules AC Timing Specifications

| Name | Characteristic                                    | Min | Max | Unit |
|------|---|-----|-----|------|
| QS1  | QSPI_CS[1:0] to QSPI_CLK                          | 1   | 510 | tcyc |
| QS2  | QSPI_CLK high to QSPI_DOUT valid.                 | —   | 10  | ns   |
| QS3  | QSPI_CLK high to QSPI_DOUT invalid. (Output hold) | 2   | —   | ns   |
| QS4  | QSPI_DIN to QSPI_CLK (Input setup)                | 9   | —   | ns   |
| QS5  | QSPI_DIN to QSPI_CLK (Input hold)                 | 9   | —   | ns   |

The values in Table 23 correspond to Figure 20.

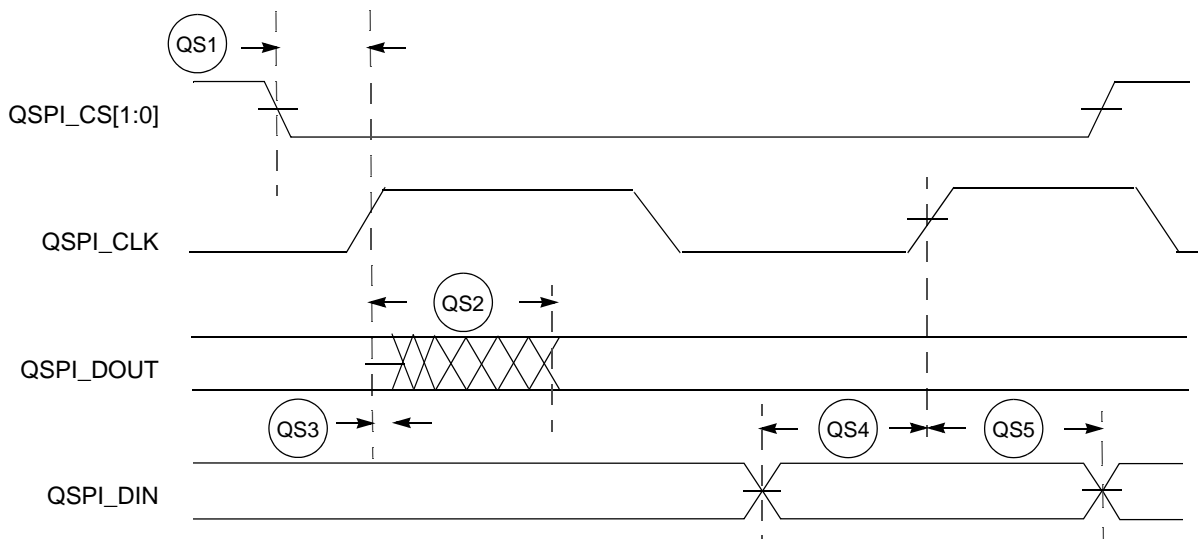


Figure 20. QSPI Timing

### 7.13 JTAG and Boundary Scan Timing

Table 24. JTAG and Boundary Scan Timing

| Num | Characteristics <sup>1</sup>                         | Symbol       | Min | Max | Unit        |
|-----|--|--------------|-----|-----|-------------|
| J1  | TCLK Frequency of Operation                          | $f_{JCYC}$   | DC  | 1/4 | $f_{sys/2}$ |
| J2  | TCLK Cycle Period                                    | $t_{JCYC}$   | 4   | —   | $t_{CYC}$   |
| J3  | TCLK Clock Pulse Width                               | $t_{JCW}$    | 26  | —   | ns          |
| J4  | TCLK Rise and Fall Times                             | $t_{JCRF}$   | 0   | 3   | ns          |
| J5  | Boundary Scan Input Data Setup Time to TCLK Rise     | $t_{BSDST}$  | 4   | —   | ns          |
| J6  | Boundary Scan Input Data Hold Time after TCLK Rise   | $t_{BSDHT}$  | 26  | —   | ns          |
| J7  | TCLK Low to Boundary Scan Output Data Valid          | $t_{BSDV}$   | 0   | 33  | ns          |
| J8  | TCLK Low to Boundary Scan Output High Z              | $t_{BSDZ}$   | 0   | 33  | ns          |
| J9  | TMS, TDI Input Data Setup Time to TCLK Rise          | $t_{TAPBST}$ | 4   | —   | ns          |
| J10 | TMS, TDI Input Data Hold Time after TCLK Rise        | $t_{TAPBHT}$ | 10  | —   | ns          |
| J11 | TCLK Low to TDO Data Valid                           | $t_{TDODV}$  | 0   | 26  | ns          |
| J12 | TCLK Low to TDO High Z                               | $t_{TDODZ}$  | 0   | 8   | ns          |
| J13 | $\overline{TRST}$ Assert Time                        | $t_{TRSTAT}$ | 100 | —   | ns          |
| J14 | $\overline{TRST}$ Setup Time (Negation) to TCLK High | $t_{TRSTST}$ | 10  | —   | ns          |

<sup>1</sup> JTAG\_EN is expected to be a static signal. Hence, specific timing is not associated with it.

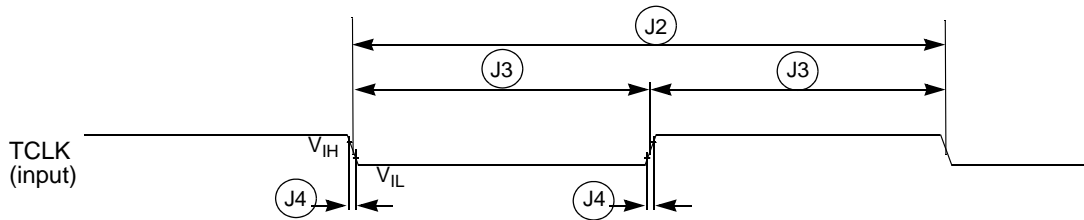


Figure 21. Test Clock Input Timing

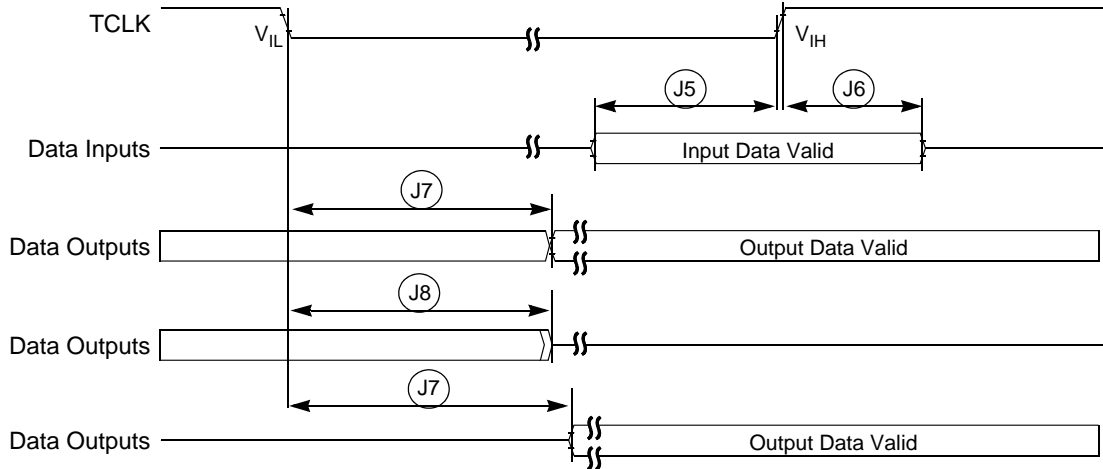


Figure 22. Boundary Scan (JTAG) Timing

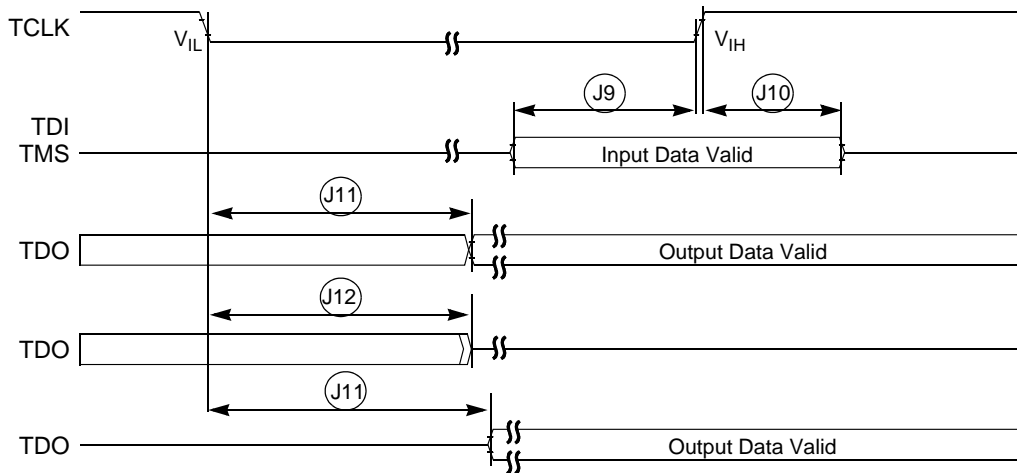


Figure 23. Test Access Port Timing

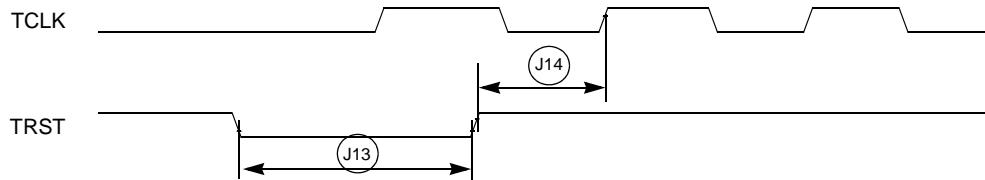


Figure 24.  $\overline{\text{TRST}}$  Timing

## 7.14 Debug AC Timing Specifications

Table 25 lists specifications for the debug AC timing parameters shown in Figure 26.

Table 25. Debug AC Timing Specification

| Num              | Characteristic   | 150 MHz |     | Units     |
|------------------|--|---------|-----|-----------|
|                  |  | Min     | Max |           |
| DE0              | PSTCLK cycle time                                      | —       | 0.5 | $t_{cyc}$ |
| DE1              | PST valid to PSTCLK high                               | 4       | —   | ns        |
| DE2              | PSTCLK high to PST invalid                             | 1.5     | —   | ns        |
| DE3              | DSCLK cycle time                                       | 5       | —   | $t_{cyc}$ |
| DE4              | DSI valid to DSCLK high                                | 1       | —   | $t_{cyc}$ |
| DE5 <sup>1</sup> | DSCLK high to DSO invalid                              | 4       | —   | $t_{cyc}$ |
| DE6              | $\overline{BKPT}$ input data setup time to CLKOUT rise | 4       | —   | ns        |
| DE7              | CLKOUT high to $\overline{BKPT}$ high Z                | 0       | 10  | ns        |

<sup>1</sup> DSCLK and DSI are synchronized internally. D4 is measured from the synchronized DSCLK input relative to the rising edge of CLKOUT.

Figure 25 shows real-time trace timing for the values in Table 25.

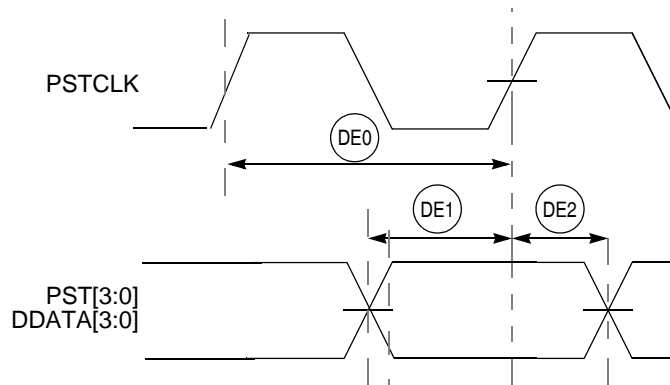


Figure 25. Real-Time Trace AC Timing

Figure 26 shows BDM serial port AC timing for the values in Table 25.

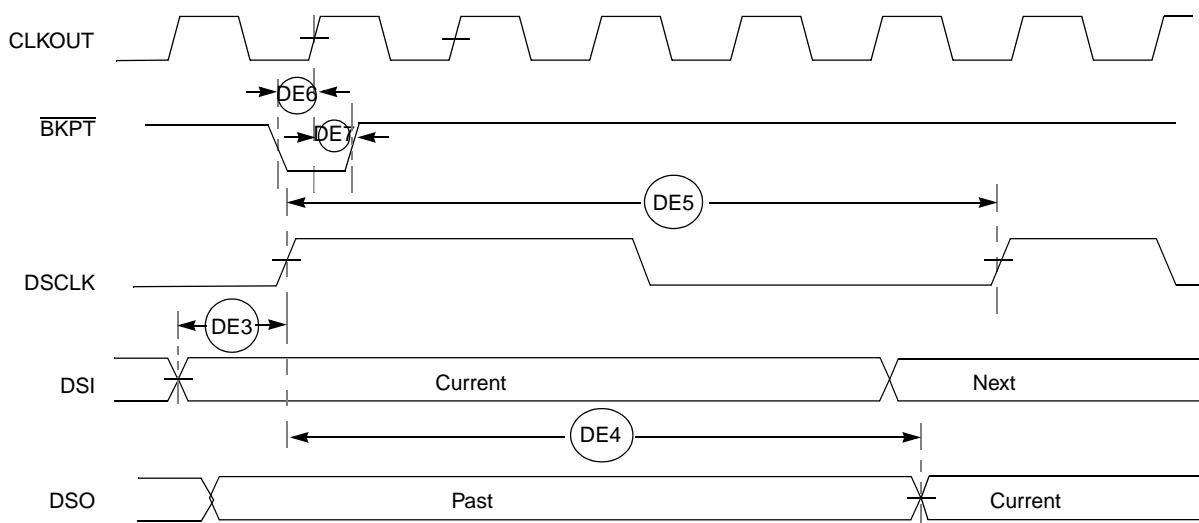


Figure 26. BDM Serial Port AC Timing

## 8 Documentation

Documentation regarding the MCF5271 and their development support tools is available from a local Freescale distributor, a Freescale semiconductor sales office, the Freescale Literature Distribution Center, or through the Freescale web address at <http://www.freescale.com/coldfire>.

## 9 Document Revision History

The below table provides a revision history for this document.

Table 26. MCF5271EC Revision History

| Rev. No. | Substantive Change(s)  |
|----------|--|
| 0        | Initial release  |
| 1        | <ul style="list-style-type: none"> <li>Fixed several clock values.</li> <li>Updated Signal List table</li> </ul>   |
| 1.1      | <ul style="list-style-type: none"> <li>Removed duplicate information in the module description sections. The information is all in the Signals Description Table.</li> </ul>   |
| 1.2      | <ul style="list-style-type: none"> <li>Removed detailed signal description section. This information can be found in the MCF5271RM Chapter 2.</li> <li>Removed detailed feature list. This information can be found in the MCF5271RM Chapter 1.</li> <li>Changed instances of Motorola to Freescale</li> <li>Added values for 'Maximum operating junction temperature' in Table 8.</li> <li>Added typical values for 'Core operating supply current (master mode)' in Table 9.</li> <li>Added typical values for 'Pad operating supply current (master mode)' in Table 9.</li> <li>Removed unnecessary PLL specifications, #6-9, in Table 10.</li> </ul> |

Table 26. MCF5271EC Revision History (continued)

| Rev. No. | Substantive Change(s)   |
|----------|---|
| 1.3      | <ul style="list-style-type: none"> <li>• Device is now available in 150 MHz versions. Updated specs where necessary to reflect this improvement.</li> <li>• Added 2 new part numbers to <a href="#">Table 6</a>: MCF5270CVM150 and MCF5271CVM150.</li> <li>• Removed features list. This information can be found in the MCF5271RM.</li> <li>• Removed SDRAM address multiplexing section. This information can be found in the MCF5271RM.</li> </ul>   |
| 1.4      | <ul style="list-style-type: none"> <li>• Added <a href="#">Section 5.2.1, "Supply Voltage Sequencing and Separation Cautions."</a></li> <li>• Updated 196MAPBGA package dimensions, <a href="#">Figure 4</a>.</li> </ul>  |
| 2        | <ul style="list-style-type: none"> <li>• <a href="#">Table 2</a>: Changed SD_CKE pin location from 139 to "—" for the 160QFP device.</li> <li>• <a href="#">Table 2</a>: Changed QSPI_CS1 pin location from "—" to 139 for the 160QFP device.</li> <li>• <a href="#">Table 2</a>: Changed DT3IN pin's alternate 2 function from "—" to QSPI_CS2.</li> <li>• <a href="#">Table 2</a>: Changed DT3OUT pin's alternate 2 function from "—" to QSPI_CS3.</li> <li>• <a href="#">Figure 5</a>: Changed pin 139 label from "SD_CKE/QSPI_CS1" to "QSPI_CS1/SD_CKE".</li> <li>• Removed second sentence from <a href="#">Section 7.10.1, "MII Receive Signal Timing (ERXD[3:0], ERXDV, ERXER, and ERXCLK),"</a> and <a href="#">Section 7.10.2, "MII Transmit Signal Timing (ETXD[3:0], ETXEN, ETXER, ETXCLK),"</a> regarding no minimum frequency requirement for TXCLK.</li> <li>• Removed third and fourth paragraphs from <a href="#">Section 7.10.2, "MII Transmit Signal Timing (ETXD[3:0], ETXEN, ETXER, ETXCLK),"</a> as this feature is not supported on this device.</li> </ul> |
| 3        | <ul style="list-style-type: none"> <li>• <a href="#">Section 5.2.1, "Supply Voltage Sequencing and Separation Cautions"</a> changed <math>PLL V_{DD}</math> to <math>V_{DDPLL}</math> to match rest of document.</li> <li>• <a href="#">Section 5.2.1, "Supply Voltage Sequencing and Separation Cautions"</a> Changed <math>V_{DDPLL}</math> voltage level from 1.5V to 3.3V throughout section.</li> <li>• <a href="#">Section 5.2.1.1, "Power Up Sequence"</a> first bullet, changed "Use 1 <math>\mu</math>s" to "Use 1 ms".</li> <li>• Corrected position of spec D5 in <a href="#">Figure 11</a>.</li> <li>• <a href="#">Figure 3</a>: Corrected M4 ball location from DATA5 to DATA6, changed <math>DATA_n</math> labels to <math>D_n</math> for consistency</li> <li>• <a href="#">Table 14</a>: Added <math>\overline{DACK}_n</math> and <math>\overline{DREQ}_n</math> to footnote.</li> <li>• <a href="#">Table 9</a>, added PLL supply voltage row</li> </ul>   |
| 4        | <ul style="list-style-type: none"> <li>• Added part number MCF5270CAB100 in <a href="#">Table 6</a></li> </ul>  |





## How to Reach Us:

### Home Page:

[www.freescale.com](http://www.freescale.com)

### E-mail:

[support@freescale.com](mailto:support@freescale.com)

### USA/Europe or Locations Not Listed:

Freescale Semiconductor  
Technical Information Center, CH370  
1300 N. Alma School Road  
Chandler, Arizona 85224  
+1-800-521-6274 or +1-480-768-2130  
[support@freescale.com](mailto:support@freescale.com)

### Europe, Middle East, and Africa:

Freescale Halbleiter Deutschland GmbH  
Technical Information Center  
Schatzbogen 7  
81829 Muenchen, Germany  
+44 1296 380 456 (English)  
+46 8 52200080 (English)  
+49 89 92103 559 (German)  
+33 1 69 35 48 48 (French)  
[support@freescale.com](mailto:support@freescale.com)

### Japan:

Freescale Semiconductor Japan Ltd.  
Headquarters  
ARCO Tower 15F  
1-8-1, Shimo-Meguro, Meguro-ku,  
Tokyo 153-0064  
Japan  
0120 191014 or +81 3 5437 9125  
[support.japan@freescale.com](mailto:support.japan@freescale.com)

### Asia/Pacific:

Freescale Semiconductor Hong Kong Ltd.  
Technical Information Center  
2 Dai King Street  
Tai Po Industrial Estate  
Tai Po, N.T., Hong Kong  
+800 2666 8080  
[support.asia@freescale.com](mailto:support.asia@freescale.com)

### For Literature Requests Only:

Freescale Semiconductor Literature Distribution Center  
P.O. Box 5405  
Denver, Colorado 80217  
1-800-441-2447 or 303-675-2140  
Fax: 303-675-2150  
[LDCForFreescaleSemiconductor@hibbertgroup.com](mailto:LDCForFreescaleSemiconductor@hibbertgroup.com)

Information in this document is provided solely to enable system and software implementers to use Freescale Semiconductor products. There are no express or implied copyright licenses granted hereunder to design or fabricate any integrated circuits or integrated circuits based on the information in this document.

Freescale Semiconductor reserves the right to make changes without further notice to any products herein. Freescale Semiconductor makes no warranty, representation or guarantee regarding the suitability of its products for any particular purpose, nor does Freescale Semiconductor assume any liability arising out of the application or use of any product or circuit, and specifically disclaims any and all liability, including without limitation consequential or incidental damages. "Typical" parameters that may be provided in Freescale Semiconductor data sheets and/or specifications can and do vary in different applications and actual performance may vary over time. All operating parameters, including "Typicals", must be validated for each customer application by customer's technical experts. Freescale Semiconductor does not convey any license under its patent rights nor the rights of others. Freescale Semiconductor products are not designed, intended, or authorized for use as components in systems intended for surgical implant into the body, or other applications intended to support or sustain life, or for any other application in which the failure of the Freescale Semiconductor product could create a situation where personal injury or death may occur. Should Buyer purchase or use Freescale Semiconductor products for any such unintended or unauthorized application, Buyer shall indemnify and hold Freescale Semiconductor and its officers, employees, subsidiaries, affiliates, and distributors harmless against all claims, costs, damages, and expenses, and reasonable attorney fees arising out of, directly or indirectly, any claim of personal injury or death associated with such unintended or unauthorized use, even if such claim alleges that Freescale Semiconductor was negligent regarding the design or manufacture of the part.

Freescale™ and the Freescale logo are trademarks of Freescale Semiconductor, Inc. All other product or service names are the property of their respective owners.

© Freescale Semiconductor, Inc. 2009. All rights reserved.

RoHS-compliant and/or Pb-free versions of Freescale products have the functionality and electrical characteristics as their non-RoHS-compliant and/or non-Pb-free counterparts. For further information, see <http://www.freescale.com> or contact your Freescale sales representative.

For information on Freescale's Environmental Products program, go to <http://www.freescale.com/epp>.