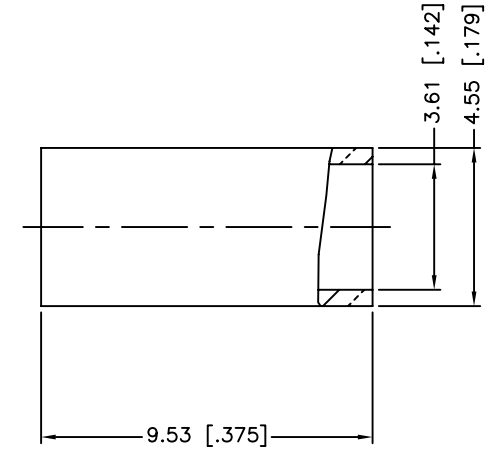
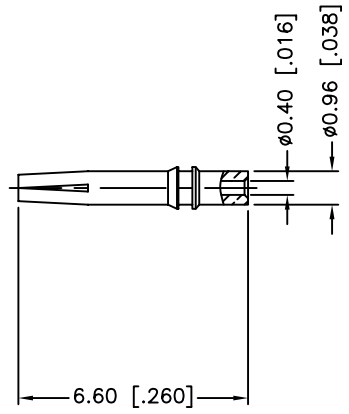
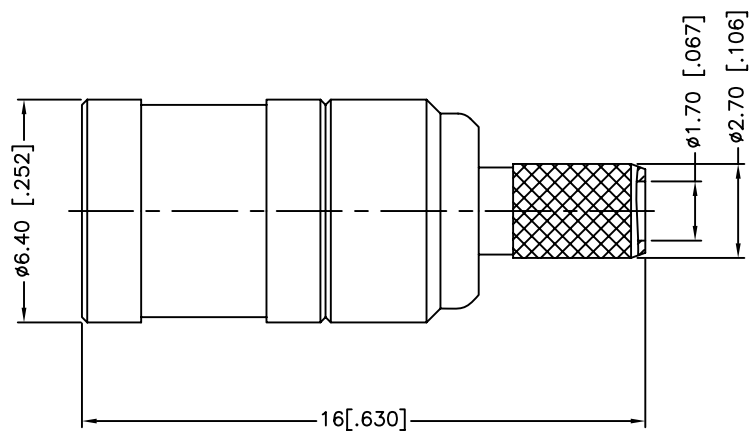
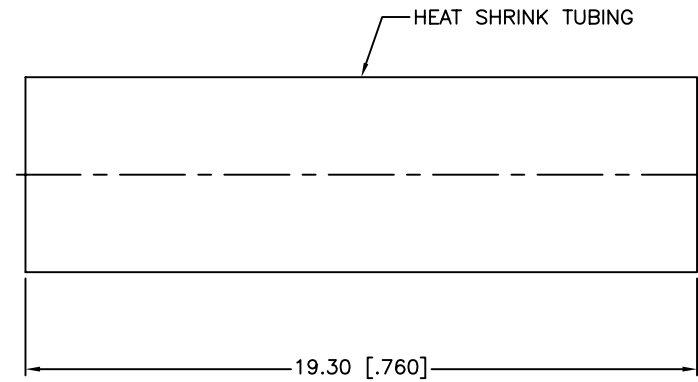
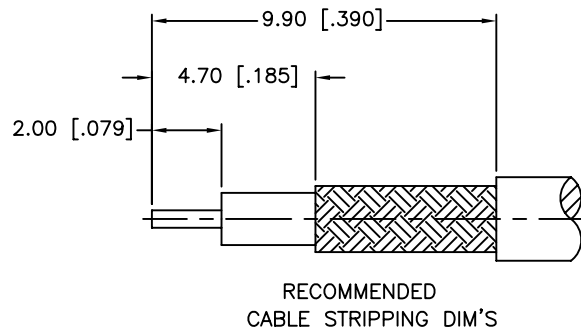


REV.	DATE	ECR NO.	DESCRIPTION
NC	10/14/09	XXXXXX	INITIAL RELEASE



1. CRIMPED FERRULE  
HEX CRIMP SIZE .151"
2. CRIMPED CONTACT PIN  
SQ. CRIMP SIZE 0.7mm  
OR TO SOLDER

8	HEAT SHRINK TUBING		BLACK	1
7	FERRULE	BRASS	GOLD	1
6	CONTACT PIN	BER. COPPER	GOLD	1
5	SHELL	BRASS	GOLD	1
4	RETAINER RING	BER. COPPER	NATURAL	1
3	BARREL	BRASS	GOLD	1
2	INSULATOR	PTFE	NATURAL	1
1	BODY	BRASS	GOLD	1
	DESCRIPTION	MATERIAL	FINISH	QTY

UNLESS OTHERWISE SPECIFIED DIMENSIONS ARE IN MILLIMETERS. DIMENSIONS IN [ ] ARE IN INCHES AND FOR CUSTOMER REFERENCE ONLY.

UNLESS OTHERWISE SPECIFIED TOLERANCES FOR MILLIMETERS ARE:  
0.5 - 8mm ± 0.20mm  
8 - 30mm ± 0.40mm  
30 - 120mm ± 0.50mm

UNLESS OTHERWISE SPECIFIED TOLERANCES FOR INCHES ARE:  
.020 - .315 = ± 0.007"  
.315 - 1.180 = ± 0.015"  
1.180 - 4.724 = ± 0.020"

DO NOT SCALE DRAWING

APPROVALS	DATE
DRAWN M.ZHANG	10/14/09
CHECKED	
ISSUED	
SHEET 1 OF 1	
CAD FILE	C:/CONNEX/142187-75.DWG

**Amphenol Connex**

PART DESCRIPTION  
**MINI 75 OHM SMB CRIMP PLUG  
(FOR RG-179U/D CABLE)**

PART NO. **142187-75**

DWG. NO. 142187-75.DWG	REV. NC	SIZE A	SCALE NA
------------------------	---------	--------	----------