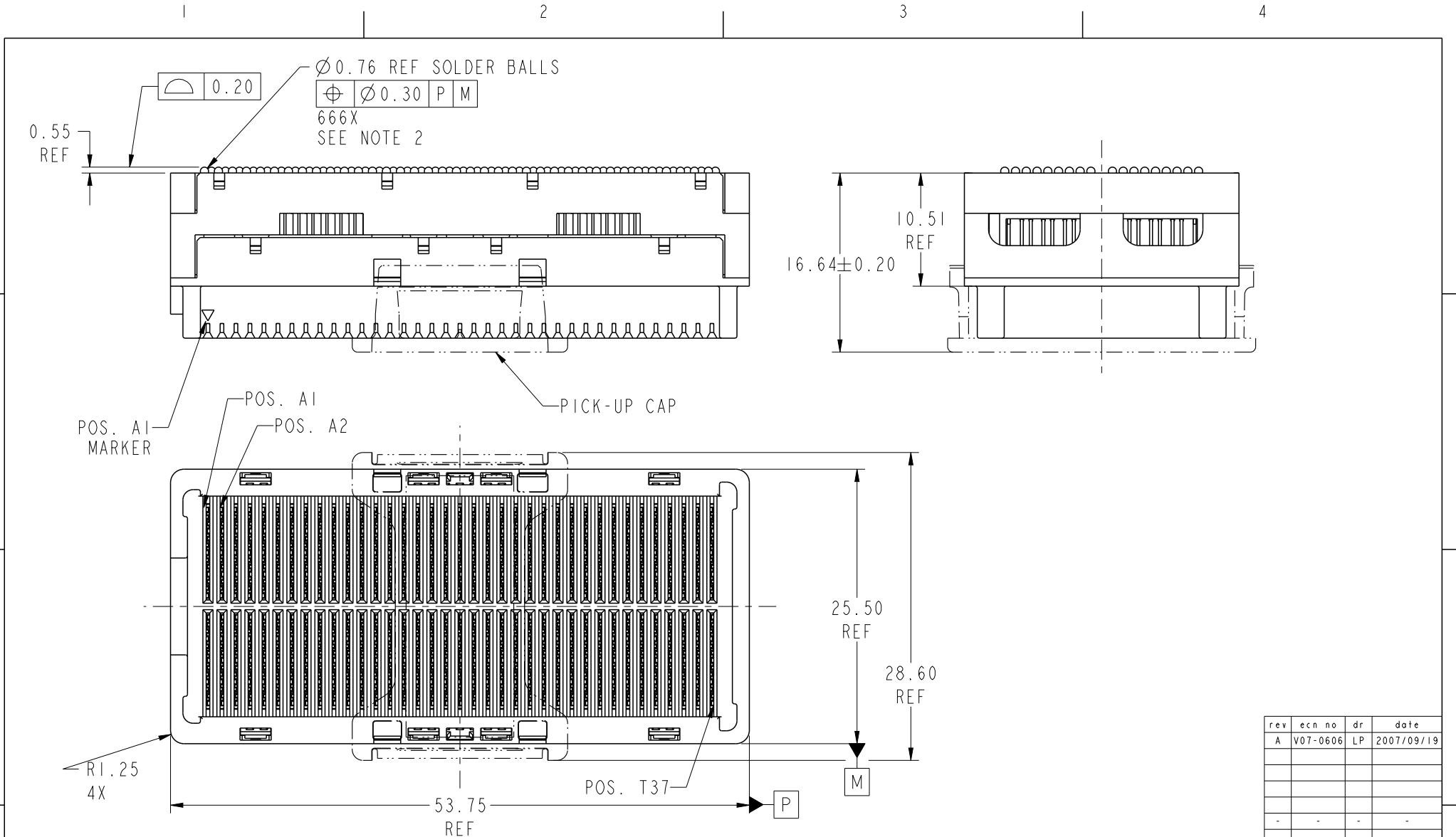




Copyright FCI.



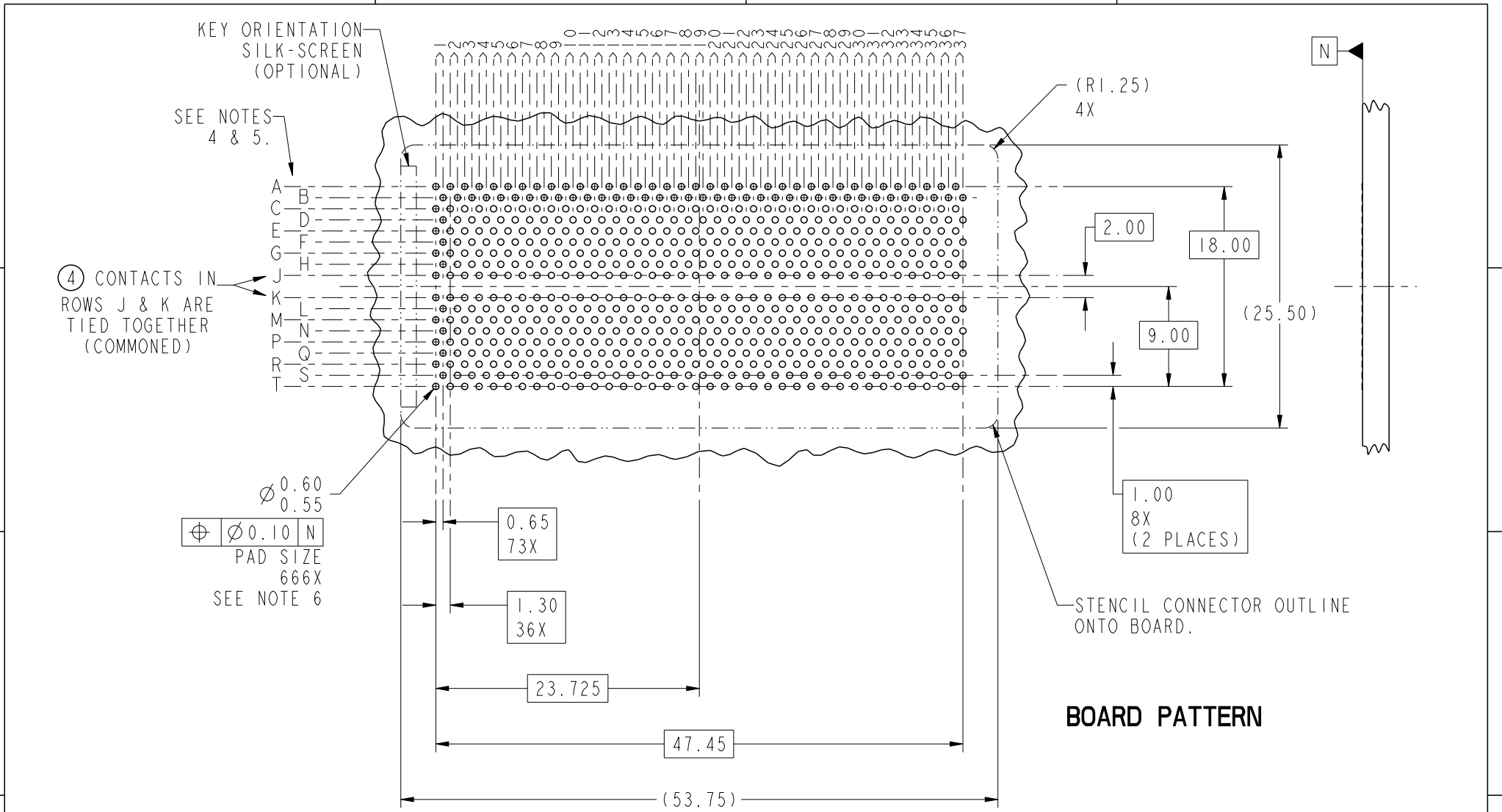
rev	ecn no	dr	date
A	V07-0606	LP	2007/09/19
-	-	-	-
-	-	-	-

spec ref	-	dr	Bill Lin	2010/02/02	projection	mm	size	A4	scale	3:10	
tolerance std	TOLERANCES UNLESS OTHERWISE SPECIFIED	eng	Nickor Zuo	2011/06/24			ecn no	ELX-DG-003943-1			
-	-	chr	Alex Cao	2011/06/24				rel level	Released		
surface	3.2	appr	Pei-Ming Zheng	2011/06/27	product family	GIG-Array		rel level	Released		
ASME Y14.5	linear	0.X	±0.30		title GIG-Array 11mm RECP. ASSY. 296 SIG. POS.	dwg no 10081497	rev B	www.fci.com		cat. no.	-
	linear	0.XX	±0.10					Product - Customer Drw		sheet 1 of 5	
	angular	0°	±2°								

ProjE File - REV C - 2009-06-09



Copyright FCI.



spec ref		-		dr	Bill Lin	2010/02/02	projection 	mm 	size	A4	scale	2:1	
tolerance std		-		eng	Nickor Zuo	2011/06/24			ecn no	ELX-DG-003943-1			
-		-		chr	Alex Cao	2011/06/24				rel level		Released	
-		-		appr	Pei-Ming Zheng	2011/06/27	product family		GIG-Array	rev		B	
surface	3.2	linear	0.X	±0.30		title	GIG-Array		dwg no	10081497		sheet	2 of 5
			0.XX	±0.10									
			0.XXX	±0.05									
ASME Y14.5		angular	0°	±2°	www.fci.com	cat. no.	-	Product - Customer Drw					

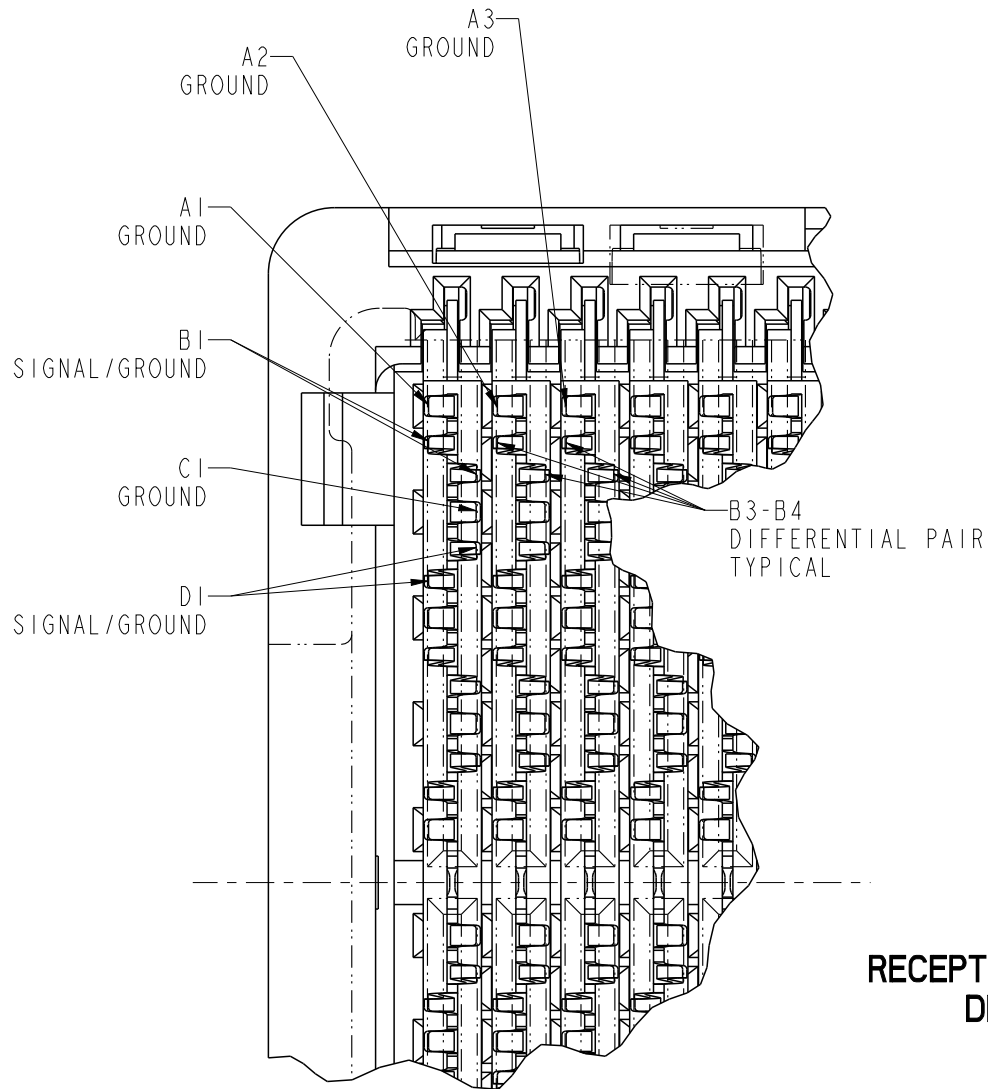
ProjE File - REV C - 2009-06-09

A

B

C

D



RECEPTACLE INTERFACE DESCRIPTION

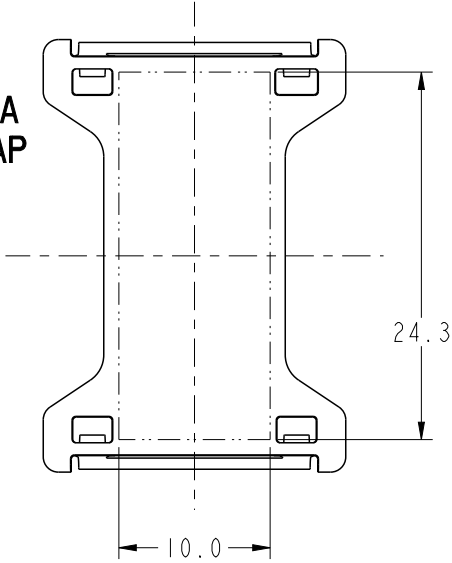
spec ref	-			dr	Bill Lin	2010/02/02	projection 	mm 	size	A4	scale	3:10	
tolerance std	TOLERANCES UNLESS OTHERWISE SPECIFIED			eng	Nickor Zuo	2011/06/24			ecn no	ELX-DG-003943-1			
-				chr	Alex Cao	2011/06/24			product family	GIG-Array			
-				appr	Pei-Ming Zheng	2011/06/27			rel level	Released			
surface	3.2	linear	0.X	±0.30		title GIG-Array 11mm RECP. ASSY. 296 SIG. POS.	dwg no 10081497	rev B					
			0.XX	±0.10									
		0.XXX	±0.05										
ASME Y14.5		angular	0°	±2°					www.fci.com	cat. no.	-	Product - Customer Drw	sheet 3 of 5

PreE File - REV C - 2009-06-09

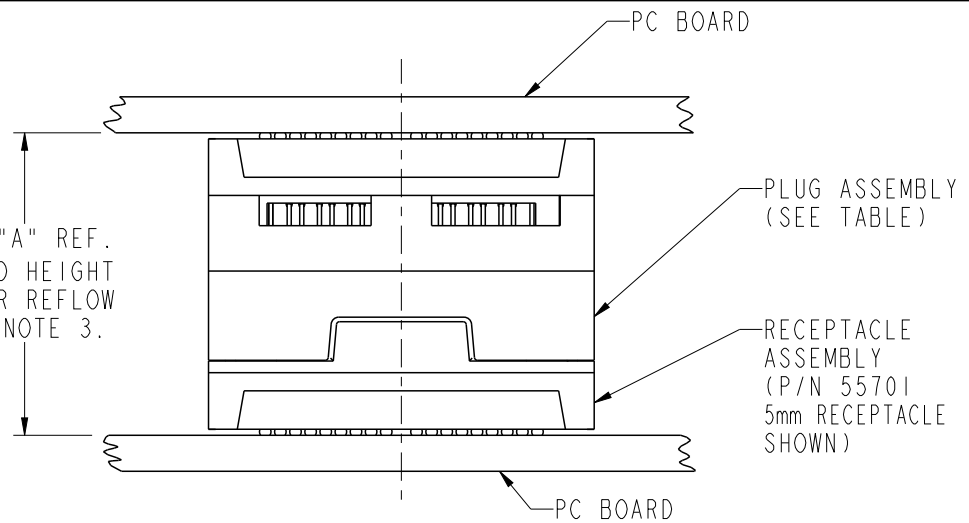


Copyright FCI.

**FLAT AREA
PICK-UP CAP**
SCALE 2:1



DIM "A" REF.
MATED HEIGHT
AFTER REFLOW
SEE NOTE 3.



END VIEW OF MATED CONNECTORS
SCALE 2:1

DIM. "A"	PLUG ASSEMBLY P/N
21	55720
23	10026804
24	10008026
26	55700
31	55727
36	10054784

spec ref		-		dr	Bill Lin	2010/02/02	projection 	mm 	size	A4	scale	3:10
tolerance std	TOLERANCES UNLESS OTHERWISE SPECIFIED			eng	Nickor Zuo	2011/06/24			ecn no	ELX-DG-003943-1		
	-				chr	Alex Cao				2011/06/24	rel level	
-				appr	Pei-Ming Zheng	2011/06/27	product family		GIG-Array	rev		B
surface	3.2	linear	0.X	±0.30		title	GIG-Array		dwg no	10081497		rev
			0.XX	±0.10			11mm RECP. ASSY. 296 SIG. POS.					
ASME Y14.5	angular	0°	±2°	www.fci.com			cat. no.	-				

PRODUCT NUMBER	SOLDER BALL COMPOSITION	CONTACT PLATING PERFORMANCE LEVEL
10081497-001	STANDARD (EUTECTIC)	PERFORMANCE-BASED PLATING, QUALIFIED TO MEET THE REQUIREMENTS OF FCI PRODUCT SPECIFICATION GS-12-192, INCLUDING TELCORDIA CENTRAL OFFICE
10081497-001LF	LEADFREE	

NOTES:

- ① MATERIAL:
HOUSING: LCP
CONTACT: COPPER ALLOY
PLATING (CONTACT): Au OVER Ni.
UL RATING: 94 V-0
SOLDER BALL: (SEE TABLE) EUTECTIC SnPb OR LEADFREE 95.5 Sn/4Ag/0.5Cu
- ② SOLDER BALLS WILL NOT BE PERFECT SPHERICAL SHAPE DUE TO REFLOW ATTACHMENT.
- ③ MATED HEIGHT EFFECTED BY CUSTOMERS' PCB PAD SIZE, PLATING, SOLDER REFLOW PROFILE & SOLDER PASTE.
- ④ CONTACTS IN ROWS A,C,E,G,J,K,M,P,R AND T ARE SINGLE BEAM CONTACTS, TYPICALLY USED AS GROUND PINS. (NOTE: CONTACTS IN ROWS J & K ARE TIED TOGETHER [COMMONED])
- ⑤ CONTACTS IN ROWS B,D,F,H,L,N,Q AND S ARE DUAL BEAM CONTACTS, TYPICALLY USED AS SIGNAL PINS.

NOTES CONTINUED

- ⑥ SPECIFIED POSITIONAL TOLERANCE DEFINES PAD TO PAD LOCATION WITHIN LAND PATTERN. POSITIONAL TOLERANCE OF LAND PATTERN TO FUDICIAL MARKS OR PCB DATUMS SHALL BE DEFINED BY CUSTOMER. FOR RECOMMENDED PRODUCT APPLICATION AND PCB DESIGN DETAILS, SEE DOC. NO. GS-20-016.
- ⑦ FOR PROPER APPLICATION FOLLOW FCI APPLICATION SPECIFICATION GS-20-033 LEADFREE SOLDER BALLS WILL NOT SOLDER PROPERLY IN A LEADED SOLDER PROCESS DUE TO A HIGHER REFLOW TEMPERATURE, LEADFREE PRODUCT IS THEREFORE NOT BACKWARDS COMPATIBLE WITH LEADED OR SOME SOLDERING APPLICATIONS. REFERENCE FCI APPLICATION SPECIFICATION.
- ⑧ THIS PRODUCT MEETS THE EUROPEAN UNION DIRECTIVES AND OTHER COUNTRY REGULATIONS AS DESCRIBED IN GS-22-008. PRODUCT MEETING WITH THES DIRECTIVE IS IDENTIFIED IN THE LOT CODE NUMBER MARKED ON EACH PART BY HAVING AN "X" IN THE SEVENTH CHARACTER POSITION.



Copyright FCI.

spec ref	-	dr	Bill Lin	2010/02/02	projection 	mm 	size	A4	scale	3:10
tolerance std	TOLERANCES UNLESS OTHERWISE SPECIFIED	eng	Nickor Zuo	2011/06/24			ecn no	ELX-DG-003943-1		
-		chr	Alex Cao	2011/06/24				rel level	Released	
surface	3.2	appr	Pei-Ming Zheng	2011/06/27	product family	GIG-Array		rev	B	
ASME Y14.5	linear	0.X	±0.30		title	GIG-Array		dwg no	10081497	
		0.XX	±0.10			11mm RECP. ASSY. 296 SIG. POS.	sheet 5 of 5			
	angular	0°	±2°							Product - Customer Drw
		0.XXX	±0.05	www.fci.com	cat. no.	-	Product - Customer Drw	sheet 5 of 5		