

Description

The AP43331N is a highly integrated secondary side constant voltage (CV) and constant current (CC) controller, which is compatible with Qualcomm Quick Charge 3.0 (QC 3.0) High Voltage Dedicated Charging Port (HVDCP) Class A specification.

The AP43331N allows for selection of the output voltage of an AC-DC USB charger based on commands from the Portable Device (PD) being powered. Selecting a higher charging voltage will reduce the charging current for a given power level resulting in reduced IR drops and increased system efficiency. The USB-bus voltage can be controlled in discreet steps (QC 3.0's step is 0.2V). The output current is limited not to exceed maximum allowable power level.

The AP43331N resides at the secondary side of the charger. It includes voltage and current feedback regulation eliminating the need for a shunt regulator such as TL431.

The AP43331N has a current sense amplifier to amplify the detected output current signal for contribution to accomplishing CC feature and output cable voltage compensation function.

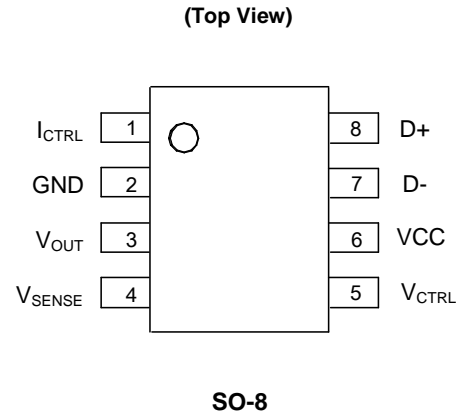
The AP43331N incorporates a decoder used to translate Qualcomm QC3.0 protocol into internal configuration indicator, according to which the CV/CC loops will regulate the output voltage and current.

The AP43331N integrates a safe-discharge circuitry to quickly and reliably discharge output capacitors when the output voltage is switched down.

The AP43331N automatically keeps 5V output voltage in case that the connected portable device is not compatible with the QC3.0.

The AP43331N is available in SO-8 package.

Pin Assignments



Features

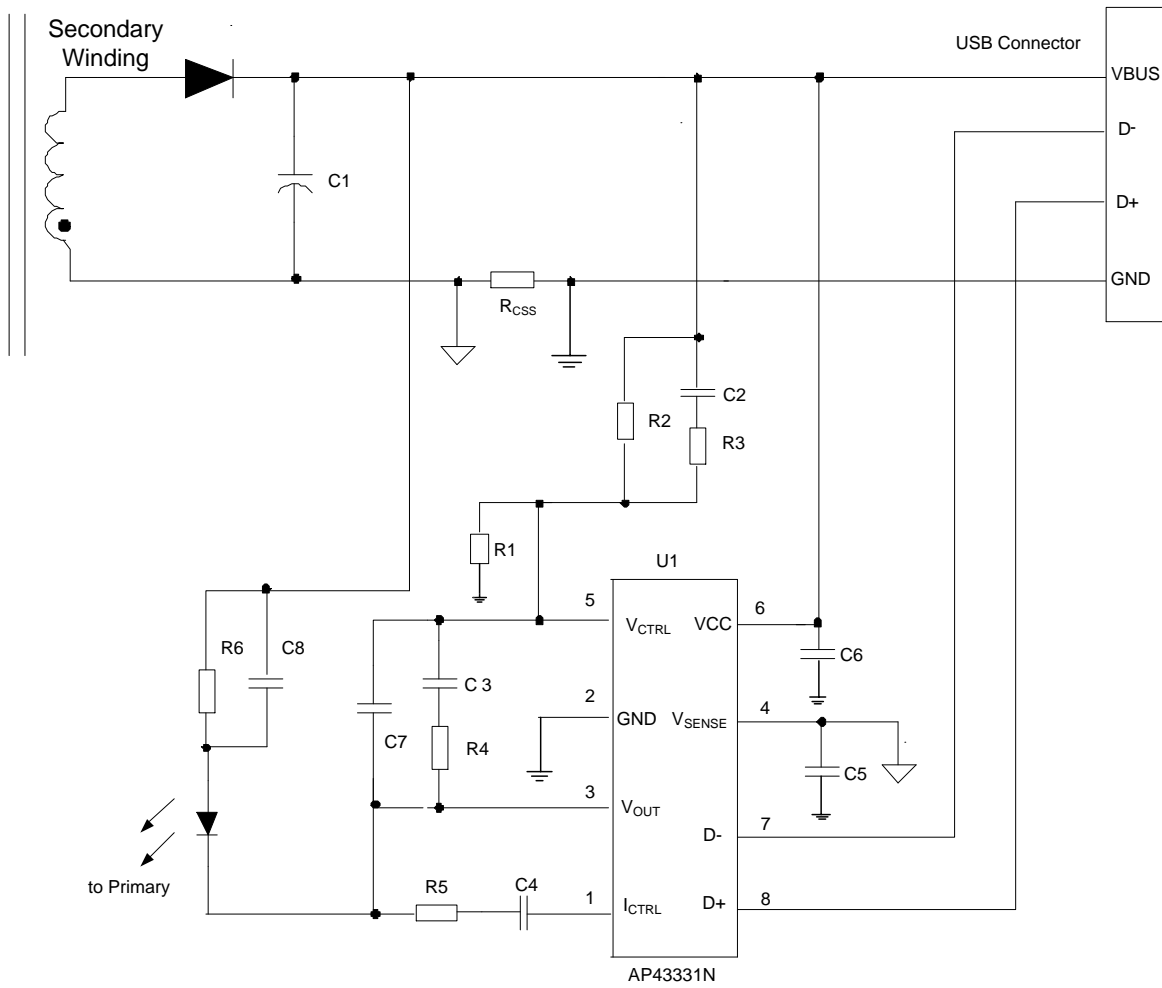
- Constant Voltage and Constant Current Regulation
- Supporting Qualcomm QC 3.0 Class A (3.6V Up to 12V)
- Output Cable Voltage Compensation
- High Precision CV/CC References
- Fast Dynamic Response
- Removing the Need for a Shunt Regulator Such As TL431
- Output Capacitor Safe-Discharge Circuitry At the Output Voltage Switched Down.
- Output Over Voltage Protection (OVP)
- Output Under Voltage Protection (UVP)
- Operating Supply Voltage: 3.2V to 12V
- **Totally Lead-Free & Fully RoHS Compliant (Notes 1 & 2)**
- **Halogen and Antimony Free. "Green" Device (Note 3)**

Applications

- AC/DC Adapters
- Battery Chargers
- LED Drivers

Notes: 1. No purposely added lead. Fully EU Directive 2002/95/EC (RoHS) & 2011/65/EU (RoHS 2) compliant.
2. See http://www.diodes.com/quality/lead_free.html for more information about Diodes Incorporated's definitions of Halogen- and Antimony-free, "Green" and Lead-free.
3. Halogen- and Antimony-free "Green" products are defined as those which contain <900ppm bromine, <900ppm chlorine (<1500ppm total Br + Cl) and <1000ppm antimony compounds.

Typical Applications Circuit



$$V_o = V_{REF_CV} \times \frac{R1 + R2}{R1} + R_{CABLE} \times I_o$$

$$I_{O_CC} = \frac{V_{REF_CC}}{R_{CSS}}$$

I_o : The Current Which Flows Through Current Sensor R_{CSS}

V_{REF_CV} : Constant Voltage Reference

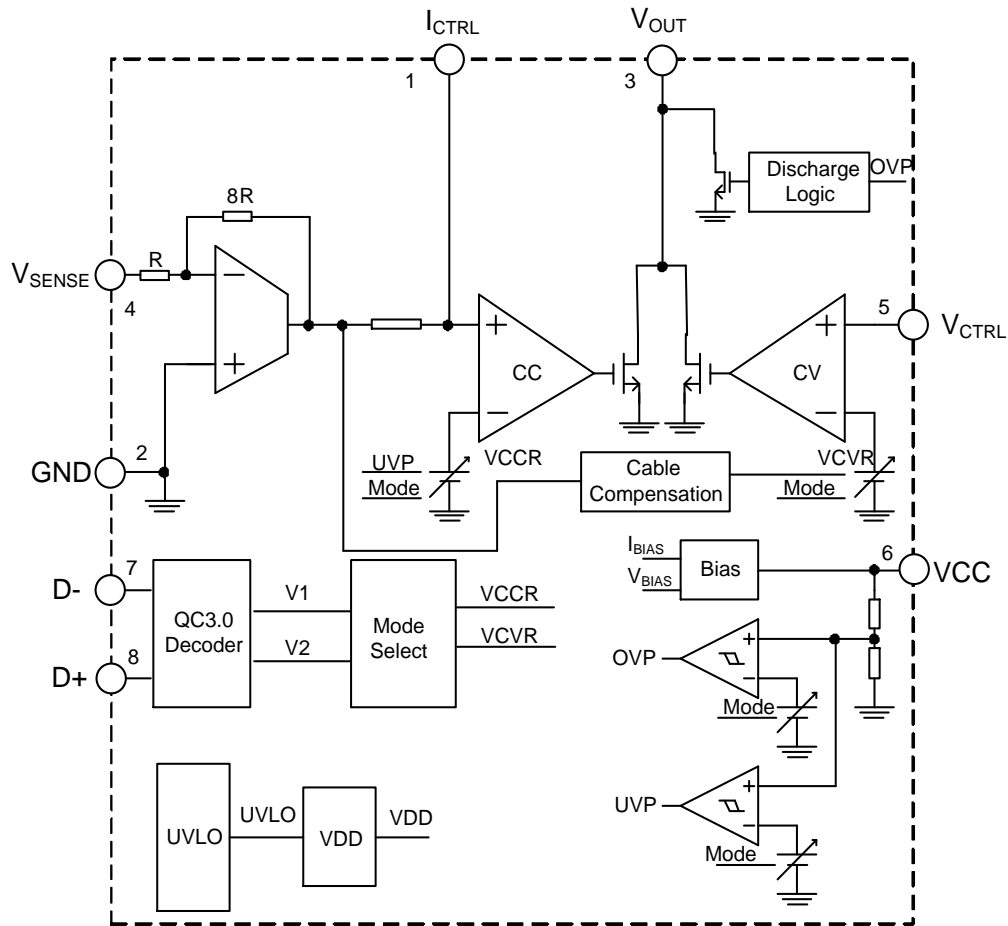
I_{O_CC} : Output Constant Current Point

NEW PRODUCT

Pin Descriptions

Pin Number	Pin Name	Function
1	I _{CTRL}	Non-inverting input pin of the current control loop
2	GND	Ground return
3	V _{OUT}	Output pin; Sinking current only
4	V _{SENSE}	Inverting input pin of the current control loop
5	V _{CTRL}	Input pin of the voltage control loop
6	VCC	IC supply voltage, connected to a ceramic capacitor
7	D-	Connected to USB D-
8	D+	Connected to USB D+

Functional Block Diagram



VCCR: Voltage Control Current Reference
 VCVR: Voltage Control Voltage Reference
 VDD: Internal Voltage Source

Absolute Maximum Ratings (Note 4)

Symbol	Parameter	Rating	Unit
V _{CC}	Power Supply Voltage	-0.3 to 20	V
V _{OUT}	V _{OUT} Pin Voltage	-0.3 to V _{CC}	V
V _{CTRL}	I _{CTRL} Pin Voltage	-0.3 to 7	V
V _{SENSE}	V _{SENSE} Pin Voltage	-0.3 to 7	V
V _{VCTRL}	V _{CTRL} Pin Voltage	-0.3 to 7	V
T _J	Junction Temperature	+150	°C
T _{STG}	Storage Temperature	-55 to +150	°C
T _{LEAD}	Lead Temperature (Soldering, 5 sec)	+260	°C
θ _{JA}	Thermal Resistance (Junction to Ambient, Note 5)	129	°C/W
ESD	ESD (Human Body Model)	6	kV
	ESD (Machine Model)	300	V

- Notes:
4. Stresses greater than those listed under "Absolute Maximum Ratings" may cause permanent damage to the device. These are stress ratings only, and functional operation of the device at these or any other conditions beyond those indicated under "Recommended Operating Conditions" is not implied. Exposure to "Absolute Maximum Ratings" for extended periods may affect device reliability.
 5. Device mounted on FR-4 substrate PC board, 2oz copper, with 1inch² pad layout.

Recommended Operating Conditions

Symbol	Parameter	Min	Max	Unit
V _{CC}	Power Supply Voltage	3.2	12	V
T _A	Ambient Temperature	-40	+85	°C

Electrical Characteristics (@V_{CC} = 5V, -40°C < T_A < +85°C, unless otherwise specified.)

Symbol	Parameter	Condition	Min	Typ	Max	Unit
TOTAL CURRENT CONSUMPTION						
V _{ST}	Start-Up Voltage	–	2.8	3	3.2	V
V _{CC_UVLO}	V _{CC} Under Voltage Lock Out Voltage	–	2.6	2.8	3	V
I _{CC}	Operating Supply Current	V _{CC} = 5V, V _{SENSE} = 0V, V _{CTRL} = 0V	–	670	880	μA
VOLTAGE CONTROL LOOP						
G _{MV}	CV Amplifier Transconductance	–	1.5	5.0	12.0	mA/mV
V _{REF_CV5}	Reference Voltage for 5V CV Control	–	0.49	0.50	0.51	V
V _{REF_CV9}	Reference Voltage for 9V CV Control	–	0.88	0.90	0.92	V
V _{REF_CV12}	Reference Voltage for 12V CV Control	–	1.17	1.20	1.23	V
V _{REF_0.2V_CV_STEP}	Reference Voltage for QC3.0 0.2V Step CV Control	–	–	0.02	–	V
R _{CABLE}	Cable Compensation	–	90	100	110	mV/A
I _{IBV}	CV Amplifier Input Bias Current	–	5	30	100	nA
CURRENT CONTROL LOOP						
G _{MI}	CC Amplifier Transconductance	–	2	5	20	mA/mV
V _{REF_CC5}	5V CC Mode Reference Voltage	–	71.25	75	78.75	mV
V _{REF_CC9}	9V CC Mode Reference Voltage	–	47.5	50	52.5	mV

Electrical Characteristics (@V_{CC} = 5V, -40°C < T_A < +85°C, unless otherwise specified.) (Cont.)

Symbol	Parameter	Condition	Min	Typ	Max	Unit
V _{REF_CC12}	12V CC Mode Reference Voltage	–	35.63	37.5	39.38	mV
R _{CC}	Internal CC Amplifier Input Resistor	–	5	13	20	kΩ
PROTECTION FUNCTION						
V _{OVP5V}	OVP_5V Enable Voltage	–	5.7	6	6.3	V
V _{OVP9V}	OVP_9V Enable Voltage	–	10.26	10.8	11.34	V
V _{OVP12V}	OVP_12V Enable Voltage	–	13.68	14.4	15.12	V
I _{OVD}	Average OVP Discharge Current	–	–	70	–	mA
t _{DEBOUNCE_OVP}	OVP Debounce Time	–	80	100	120	ms
V _{UVP5V}	UVP_5V Enable Voltage	@ Below 8.8V	2.99	3.15	3.3	V
V _{UVP9V}	UVP_9V Enable Voltage	@ 11.8V-9V	6.67	7.02	7.37	V
V _{UVP12V}	UVP_12V Enable Voltage	@ 12V	8.892	9.36	9.82	V
t _{DEBOUNCE_UVP}	UVP Debounce Time	–	24	30	36	ms
SECONDARY SIDE FEEDBACK SECTION						
V _{OL}	V _{OUT} Pin Voltage under 2mA Internal Amplifier Sinking Current	–	–	30	100	mV
I _{OS}	Maximum V _{OUT} Pin Sink Current	V _{OUT} = 4V	10	20	50	mA
QC3.0 DECODER SECTION						
V _{DAT_REF}	Data Detect Voltage	–	0.25	0.325	0.40	V
V _{SEL_REF}	Output Voltage Selection Reference	–	1.8	2.0	2.2	V
R _{DAT_LKG}	Data Line Leakage Resistance	–	300	500	800	kΩ
R _{DCP_DAT}	D+ to D- Resistance During DCP Mode	D+ is supplied with 0.6V	–	20	40	Ω
R _{DM_DWM}	D- Pull-Down Resistance	–	14.25	19.53	24.80	kΩ
t _{GLITCH_BC_DONE}	D+ High Glitch Filter Time	–	1.0	1.25	1.5	s
t _{GLITCH_DM_LOW}	D- Low Glitch Filter Time	–	1.0	2.5	4.0	ms
t _{GLITCH_V_CHANGE}	Output Voltage Glitch Filter Time	–	20	40	60	ms
t _{D+D-_SHORT}	D+ and D- HVDCP Short Time	–	–	10	20	ms
t _{GLITCH_DP_LOW}	D+ Low Glitch Filter Time	–	35	50	65	ms
C _{DCP_PWR}	D+/- Equivalent Capacitance	–	–	–	0.5	nF
t _{GLITCH_CONT_CHANGE}	Continuous Mode Glitch Filter Time for D+/- Pull Up Or Down	–	100	–	200	μs
t _{ACTIVE}	Active Pulse Time in Continuous Mode	–	0.2	–	15	ms
t _{INACTIVE}	Time Between Pulses in Continuous Mode	–	200	–	–	μs
Output Voltage Discharge (OVD)						
V _{OVD/V_{CV}}	Ratio of the OVD Trigger Voltage to CV Reference	When the output voltage is switched down	–	102	–	%
I _{OVD}	Average OVD Current		–	70	–	mA
t _{OVD}	OVD Discharge Time		96	120	144	ms

Operation Principle Description

Constant Voltage Operation

The output voltage is sensed on the V_{CTRL} pin via resistor divider $R1/R2$ (See Page 2), and compared with the CV operational amplifier's reference voltage for constant voltage regulation to generate a CV compensation signal on the V_{OUT} Pin. Via an opto-coupler, the compensation signal is transferred to the Diodes Incorporated's primary controller to control duty cycle. Given that the AP43331N ingrates output cable voltage compensation function, the output voltage can be calculated as follows:

$$V_o = V_{REF_CV} \times \frac{R1 + R2}{R1} + R_{CABLE} \times I_o$$

Where V_{REF_CV} is CV operational amplifier reference voltage; $R1/R2$ is the output voltage divider resistor; R_{CABLE} is the parameter for output cable voltage compensation; I_o is the output current flowing through R_{CSS} . The recommended resistance value is 6.81k Ω paralleled with 16.2k Ω for $R1$, and 43.2k Ω for $R2$.

Constant Current Operation

The output current is sensed on V_{SENSE} pin via current sense resistor R_{CSS} placed on the output ground return path. The sensed signal is amplified by the internal current sensing amplifier, then is compared with the CC operational amplifier's reference voltage for constant current regulation to generate a CC compensation signal on the V_{OUT} pin. Via an opto-coupler, the compensation signal is transferred to the Diodes Incorporated's primary-side controller to determine the duty cycle. The typical output constant current can be calculated as follows:

$$I_{o_CC} = \frac{V_{REF_CC}}{R_{CSS}}$$

Where V_{REF_CC} is CC operational amplifier reference voltage; R_{CSS} is output current sense resistance.

Qualcomm QC3.0 Decoder

The AP43331N default output voltage and current limit is 5V. For the connected portable device compatible to QC3.0, the AP43331N will complete the handshake, and decode D+/D- signals to set the related V_{REF_CV} / V_{REF_CC} , and then provide the targeted output voltage and current limit. See Table1 below for the details (The AP43331N is only compatible with Class A):

Decoder	V_{D+} (V)	V_{D-} (V)	HV DCP (Class A)	HV DCP (Class B)
Qualcomm Quick Charge 3.0 Protocol	0.6	0.6	12V	20V
	3.3	0.6	9V	9V
	0.6	3.3	Continuous Mode	Continuous Mode
	3.3	3.3	Previous Voltage	Previous Voltage
	3.3	GND	Previous Voltage	Previous Voltage
	0.6	GND	5V	5V
	GND	0.6 or 3.3 or GND	5V, Protocol Handshake Reset	5V, Protocol Handshake Reset

Table 1. D+/D- Voltage Qualcomm QC 3.0 Decoder

Over Voltage Protection (OVP)

Output voltage is detected through the AP43331N V_{CC} pin for OVP monitor. Once output voltage rises to OVP enable voltage, the AP43331N will have OVP function triggered to generate the discharged current.

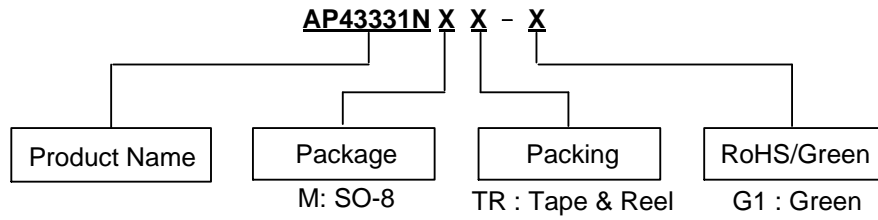
Under Voltage Protection (UVP)

The AP43331N will fully depends on the Diodes Incorporated's primary controller to take charge of UVP. The primary controller can detect output voltage via its V_{CC} winding's waveform to trigger primary UVP function once the output voltage drops below the UVP threshold voltage.

Over Voltage Discharge (OVD)

When the portable device requests a lower output voltage, the AP43331N will have over voltage discharge function work to accelerate output voltage decrease.

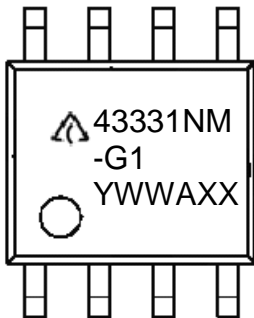
Ordering Information



Package	Temperature Range	Part Number	Marking ID	Packing
SO-8	-40 to +85°C	AP43331NMTR-G1	43331NM-G1	4000/Tape & Reel

Marking Information

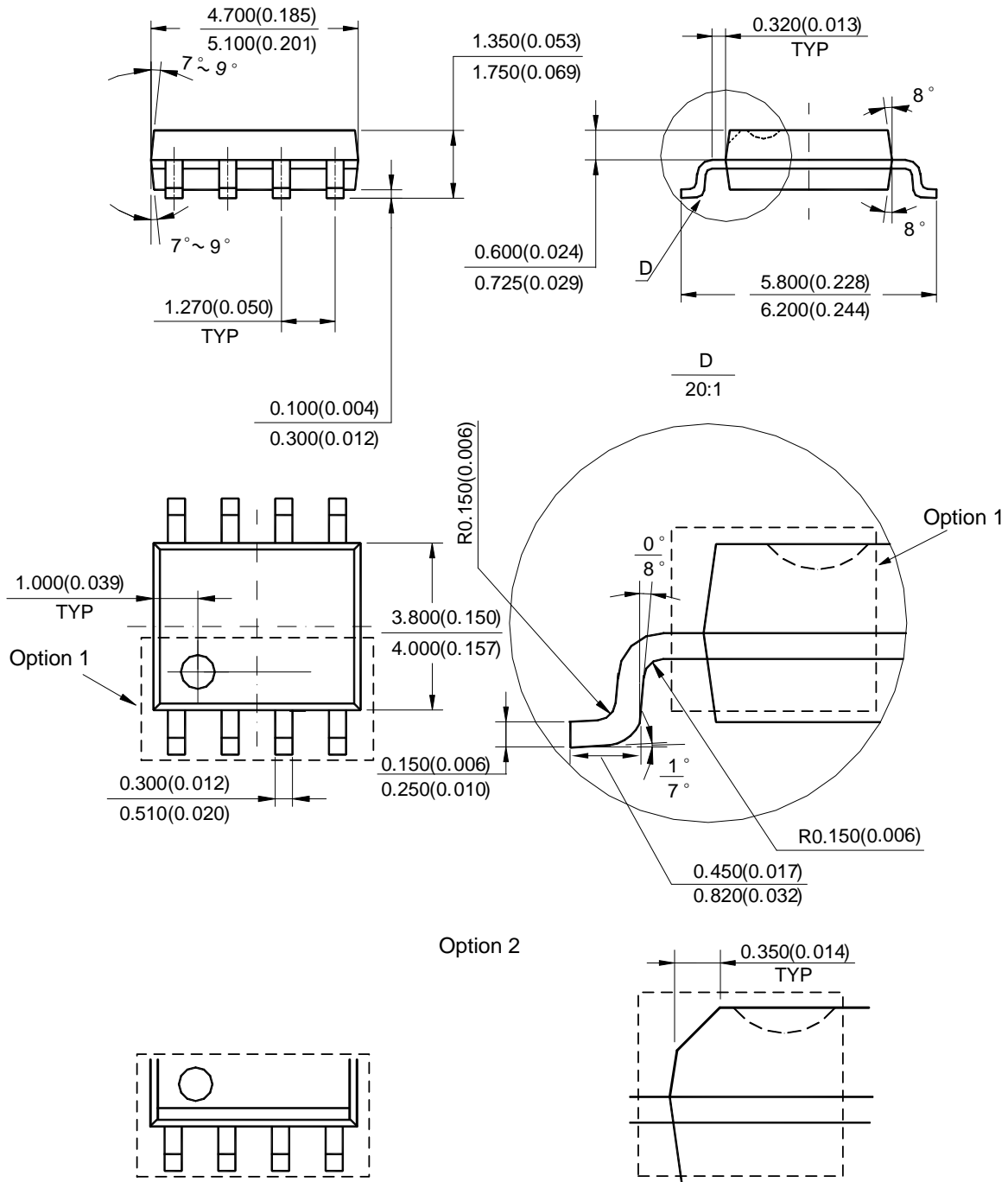
(Top View)



First and Second Lines: Logo and Marking ID
 Third Line: Date Code
 Y: Year
 WW: Work Week of Molding
 A: Assembly House Code
 XX: 7th and 8th Digits of Batch No.

Package Outline Dimensions (All dimensions in mm(inch).)

(1) Package Type: SO-8

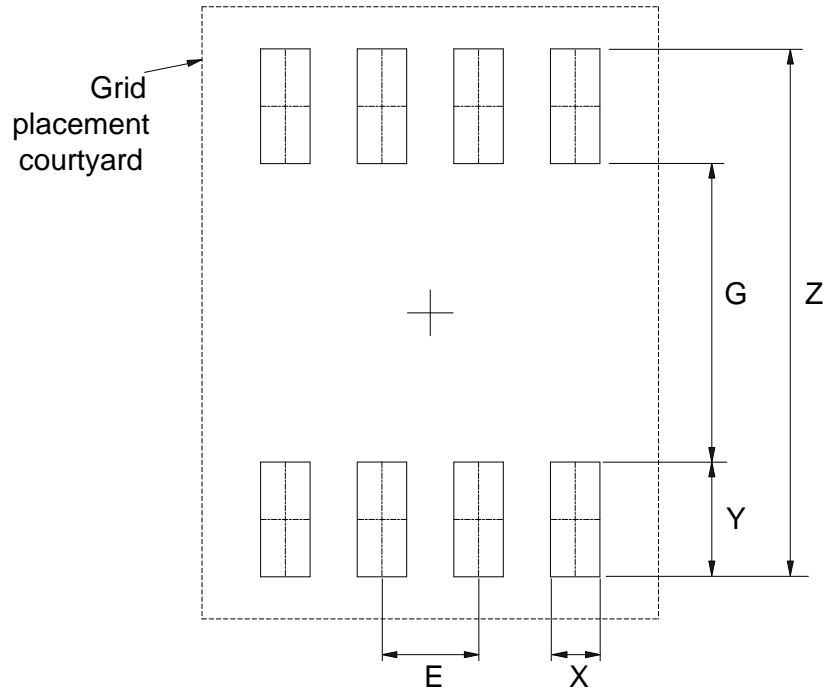


Note: Eject hole, oriented hole and mold mark is optional.

NEW PRODUCT

Suggested Pad Layout

(1) Package Type: SO-8



Dimensions	Z (mm)/(inch)	G (mm)/(inch)	X (mm)/(inch)	Y (mm)/(inch)	E (mm)/(inch)
Value	6.900/0.272	3.900/0.154	0.650/0.026	1.500/0.059	1.270/0.050

IMPORTANT NOTICE

DIODES INCORPORATED MAKES NO WARRANTY OF ANY KIND, EXPRESS OR IMPLIED, WITH REGARDS TO THIS DOCUMENT, INCLUDING, BUT NOT LIMITED TO, THE IMPLIED WARRANTIES OF MERCHANTABILITY AND FITNESS FOR A PARTICULAR PURPOSE (AND THEIR EQUIVALENTS UNDER THE LAWS OF ANY JURISDICTION).

Diodes Incorporated and its subsidiaries reserve the right to make modifications, enhancements, improvements, corrections or other changes without further notice to this document and any product described herein. Diodes Incorporated does not assume any liability arising out of the application or use of this document or any product described herein; neither does Diodes Incorporated convey any license under its patent or trademark rights, nor the rights of others. Any Customer or user of this document or products described herein in such applications shall assume all risks of such use and will agree to hold Diodes Incorporated and all the companies whose products are represented on Diodes Incorporated website, harmless against all damages.

Diodes Incorporated does not warrant or accept any liability whatsoever in respect of any products purchased through unauthorized sales channel. Should Customers purchase or use Diodes Incorporated products for any unintended or unauthorized application, Customers shall indemnify and hold Diodes Incorporated and its representatives harmless against all claims, damages, expenses, and attorney fees arising out of, directly or indirectly, any claim of personal injury or death associated with such unintended or unauthorized application.

Products described herein may be covered by one or more United States, international or foreign patents pending. Product names and markings noted herein may also be covered by one or more United States, international or foreign trademarks.

This document is written in English but may be translated into multiple languages for reference. Only the English version of this document is the final and determinative format released by Diodes Incorporated.

LIFE SUPPORT

Diodes Incorporated products are specifically not authorized for use as critical components in life support devices or systems without the express written approval of the Chief Executive Officer of Diodes Incorporated. As used herein:

A. Life support devices or systems are devices or systems which:

1. are intended to implant into the body, or
2. support or sustain life and whose failure to perform when properly used in accordance with instructions for use provided in the labeling can be reasonably expected to result in significant injury to the user.

B. A critical component is any component in a life support device or system whose failure to perform can be reasonably expected to cause the failure of the life support device or to affect its safety or effectiveness.

Customers represent that they have all necessary expertise in the safety and regulatory ramifications of their life support devices or systems, and acknowledge and agree that they are solely responsible for all legal, regulatory and safety-related requirements concerning their products and any use of Diodes Incorporated products in such safety-critical, life support devices or systems, notwithstanding any devices- or systems-related information or support that may be provided by Diodes Incorporated. Further, Customers must fully indemnify Diodes Incorporated and its representatives against any damages arising out of the use of Diodes Incorporated products in such safety-critical, life support devices or systems.

Copyright © 2017, Diodes Incorporated

www.diodes.com