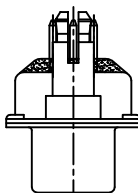
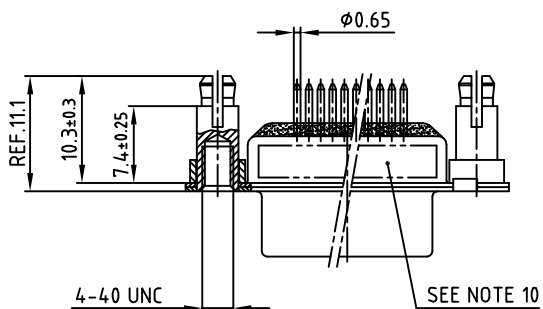
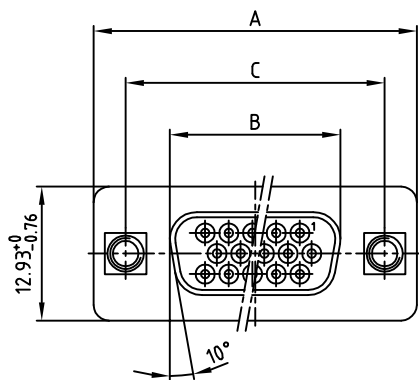
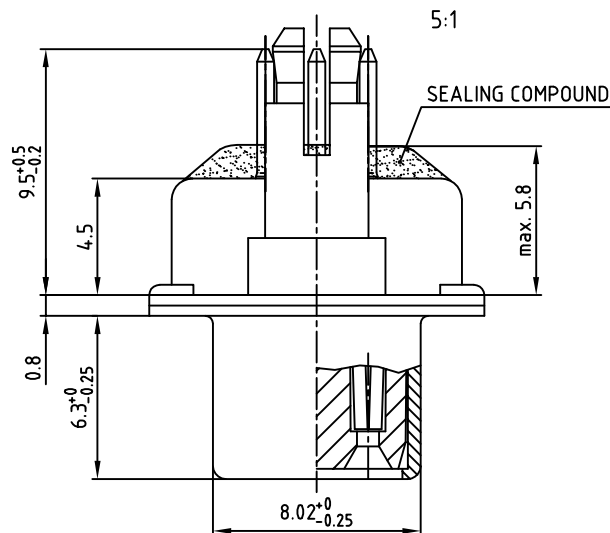


used for: D-SUB HD FILTER

POS.	A -0.76	B -0.25	C	Part NO.
15	31.19	16.46	25.00 $\begin{smallmatrix} +0.12 \\ -0.13 \end{smallmatrix}$	242A20650X
26	39.52	24.79	33.30 $\begin{smallmatrix} +0.15 \\ -0.1 \end{smallmatrix}$	242A20660X
44	53.42	38.50	47.04 $\pm 0.13$	242A20670X
62	69.70	54.96	63.50 $\pm 0.13$	242A20680X



NOTES:

- METALSHELLS: STEEL; min. 320µm TIN
- INSULATORS: HIGH TEMPERATURE PLASTIC UL 94 V-0, BLACK
- CONTACTS: COPPER ALLOY  
PLATING: 8µm HARD GOLD OVER min. 50µm NICKEL
- THREADED SPACER CLIP: COPPER ALLOY; min. 200µm TIN over 80µm NICKEL  
PCB-HOLE:  $\phi 3.1 \pm 0.1$ ; PCB THICKNESS 1.6mm
- COLLAR: COPPER ALLOY; min. 200µm TIN over 80µm NICKEL
- P.C.B. HOLE DRILLINGS ON SHEET 2
- CAPACITANCE: 830pF  $\pm 20\%$
- DIELECTRIC WITHSTANDING VOLTAGE: 300 VDC
- MAXIMUM TORQUE VALUE FOR THREAD: 6 in.LB
- CONNECTOR IS PART MARKED: PART-NO. CONEC ABC

Directive 2002/95/EC RoHS compliant

APPROVAL # FREIGABE # DEBLOCAGE # AUTORIZACION # APPROVAL	
CUSTOMER APPROVAL DATE:	
NAME:	TITLE:
COMPANY NAME:	
APPROVAL # FREIGABE # DEBLOCAGE # AUTORIZACION # APPROVAL	

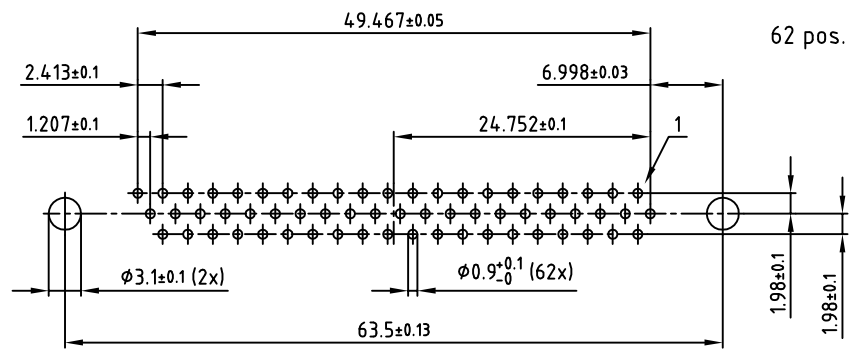
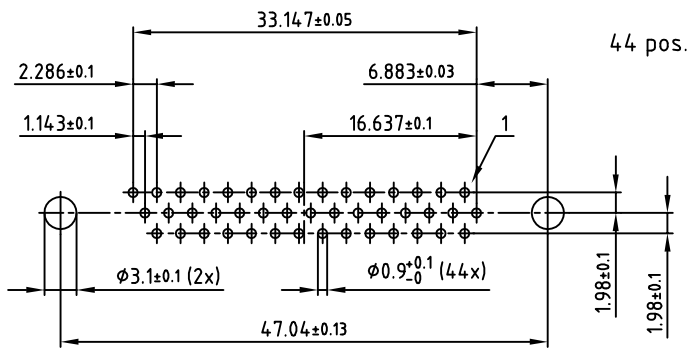
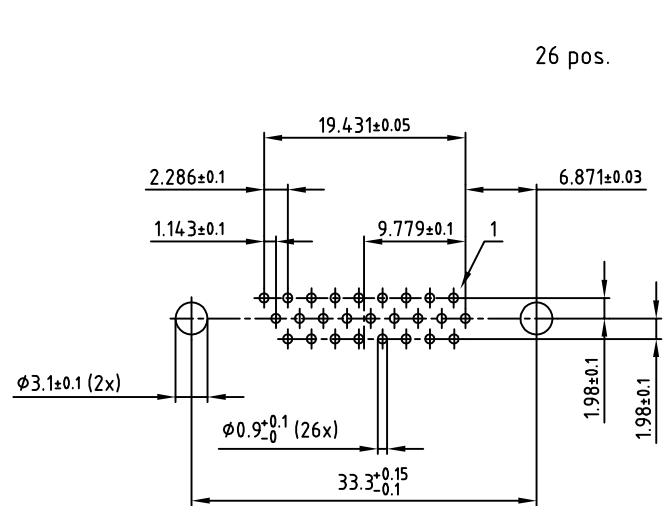
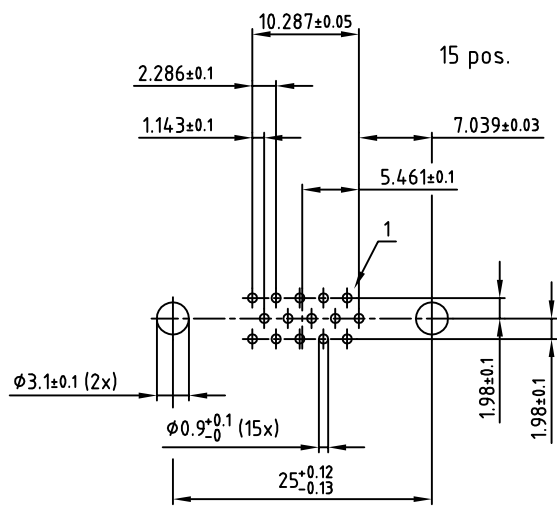
THIS DRAWING MAY NOT BE COPIED OR REPRODUCED IN ANY WAY, AND MAY NOT BE PASSED ON TO A THIRD PARTY, WITHOUT WRITTEN PERMISSION. OWNERSHIP AND COPYRIGHT OF CONEC GmbH DO NOT ALTER CAD DRAWING BY HAND

rev.	description	date	name
a	Origin		

tolerance			 dim. in mm
2006	date	name	
drawn	06.02.	Lehmenkühler	scale: 2:1 (5:1) material: SEE NOTES title: D-SUB HD FILTER FEMALE 15-62pos. SOLDER PIN STRAIGHT with threaded spacer clip dwg no: AutoCAD 2004 24K1A759 part no: SEE TABLE
appd.	06.02.	Mickenbecker	
norm	DIN 41652		
d-old			DIN-A 3 sh:1/2



used for: D-SUB HD FILTER



APPROVAL # FREIGABE # DEBLOCAGE # AUTORIZACION # APPROVAL

CUSTOMER APPROVAL DATE:

NAME: TITLE:

COMPANY NAME:

APPROVAL # FREIGABE # DEBLOCAGE # AUTORIZACION # APPROVAL

THIS DRAWING MAY NOT BE COPIED OR REPRODUCED IN ANY WAY, AND MAY NOT BE PASSED ON TO A THIRD PARTY, WITHOUT WRITTEN PERMISSION. OWNERSHIP AND COPYRIGHT OF CONEC Gmbh DO NOT ALTER CAD DRAWING BY HAND

rev.	description	date	name
a	Origin		

tolerance	dim. in mm	scale:	2:1
		material:	SEE SHEET 1
2006	date	name	title: P.C.B. HOLE DRILLINGS D-SUB HD FILTER FEMALE 15-62pos. with threaded spacer clip
drawn	06.02.	Lehmenkühler	
appd.	06.02.	Mickenbecker	
norm	DIN 41652		
d-old			dwg no: AutoCAD 2004
			DIN-A
			3
			sh:2/2
			part no: SEE SHEET 1

