

## DETAILS

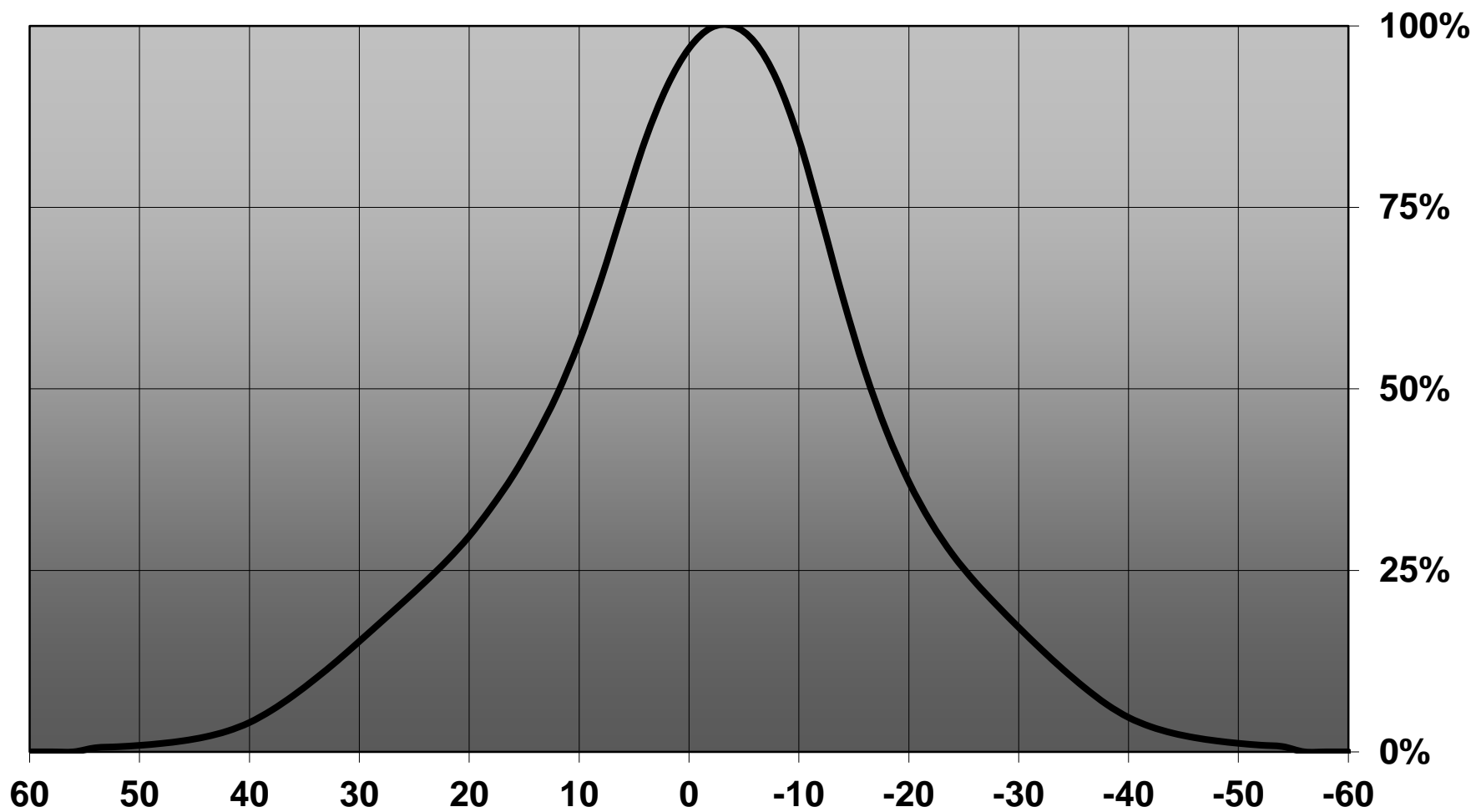
<b>Product Number</b>	FP10997_LISA2-WW-PIN
<b>Family</b>	Lisa
<b>Type</b>	Assembly
<b>Color</b>	black
<b>Diameter</b>	9,9 mm
<b>Height</b>	7 mm
<b>Style</b>	round
<b>Optic Material</b>	PMMA
<b>Holder Material</b>	
<b>Fastening</b>	glue, pin
<b>Status</b>	production ready
<b>ROHS Compliant</b>	Yes
<b>Date Updated</b>	25/01/2016

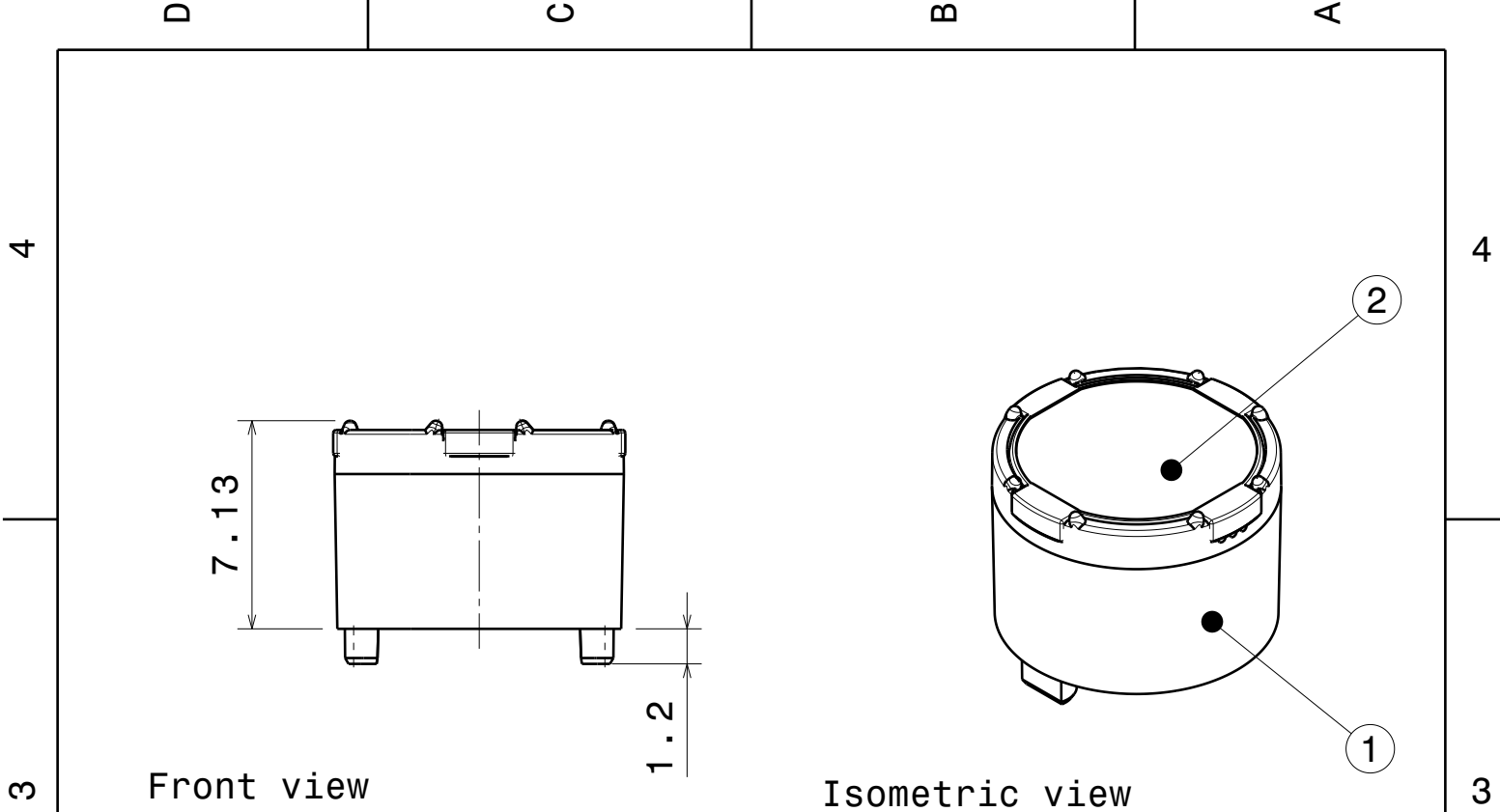


## OPTICAL PROPERTIES

LED	Viewing	Light	Effi-		Connector
	Angle	Beam	ciency	cd/lm	
XP-E	42 deg	Very Wide	91 %	1.000	-
XP-G	54 deg	Very Wide	90 %	0.900	-
XB-D	38 deg	Very Wide	85 %	1.330	-
XQ-E	sim: 72	Very Wide	sim: 90 %	sim: 0.700	-
XQ-E HI	sim: 27	Very Wide	sim: 89 %	sim: 2.300	-
LUXEON Rebel ES	56 deg	Very Wide	93 %	-	-
LUXEON Z	28 deg	Very Wide	87 %	2.260	-
LUXEON Z ES	35 deg	Very Wide	88 %	1.800	-
LUXEON C	34 deg	Very Wide	88 %	1.900	-
Double Dome (GM2BB)	sim: 60	Very Wide	-	-	-

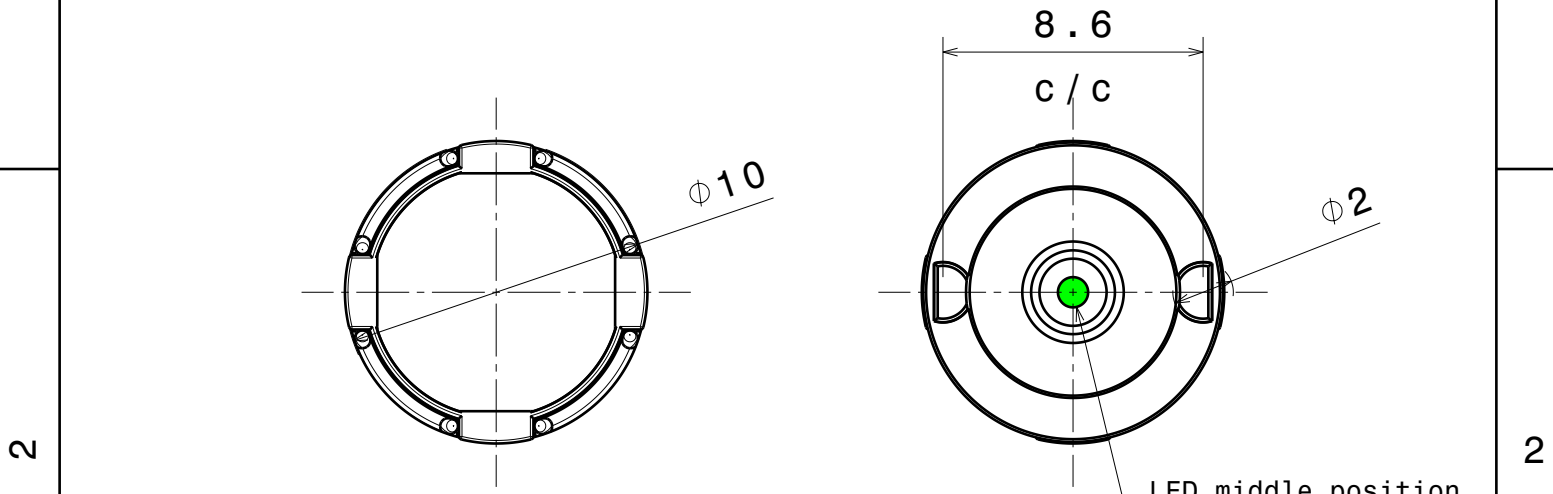
Relative intensity of FP10997\_LISA2-WW-PIN\_(Luxeon Z)





Front view

Isometric view



Top view

Bottom view

INDEX	PART NO	DESCRIPTION	MATERIAL	COLOUR
1	F10989	LISA2-HLD-PIN	PC	black
2	-	LISA2_lens	PMMA	

Tolerances if not otherwise shown  
 According to DIN ISO 2768-1  
 Linear measures:  
 up to 30mm class M, otherwise class C  
 According to DIN ISO 2768-2  
 Form and position: class L

**LEDiL** LediL Oy  
 Salorankatu 10  
 FIN 24240 SALO  
 Finland

THIRD ANGLE PROJECTION:

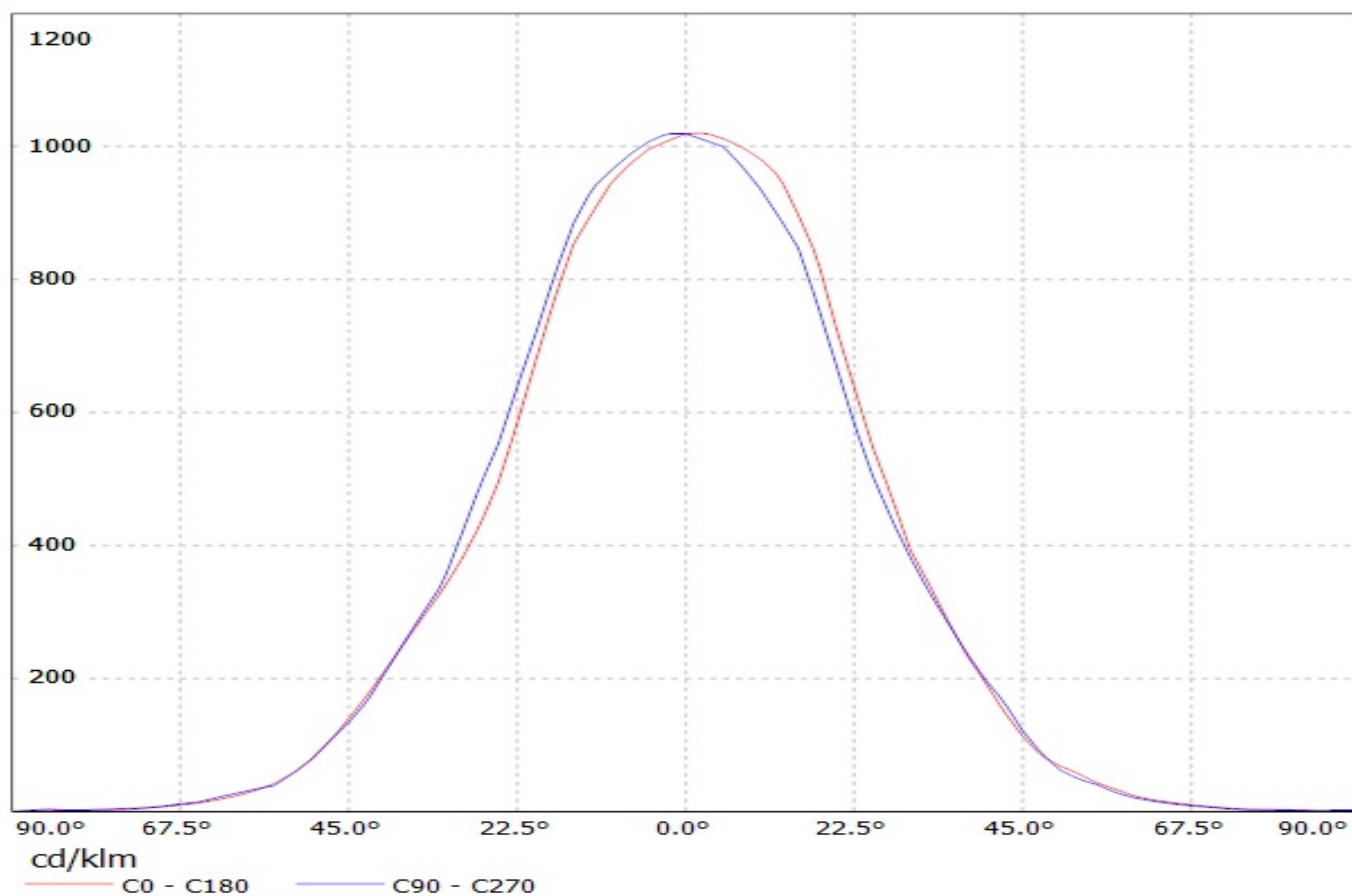
DRAWING TITLE  
**Lisa2-PIN-XP assembly**

This drawing is the property of LEDiL Oy. It may not be reproduced, copied or communicated without a written agreement with LEDiL Oy.

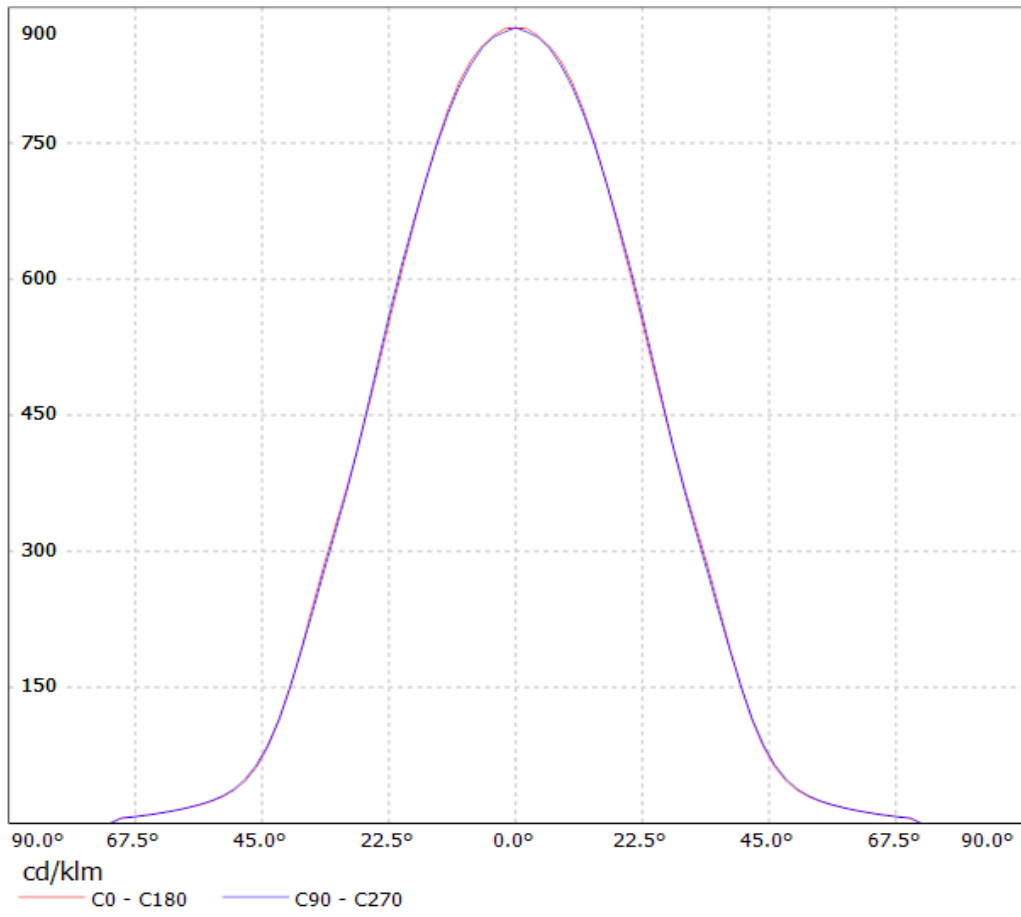
SIZE	PART NUMBER
A4	-

SCALE	4:1	WEIGHT	0,5 g	SHEET	1/1
-------	-----	--------	-------	-------	-----

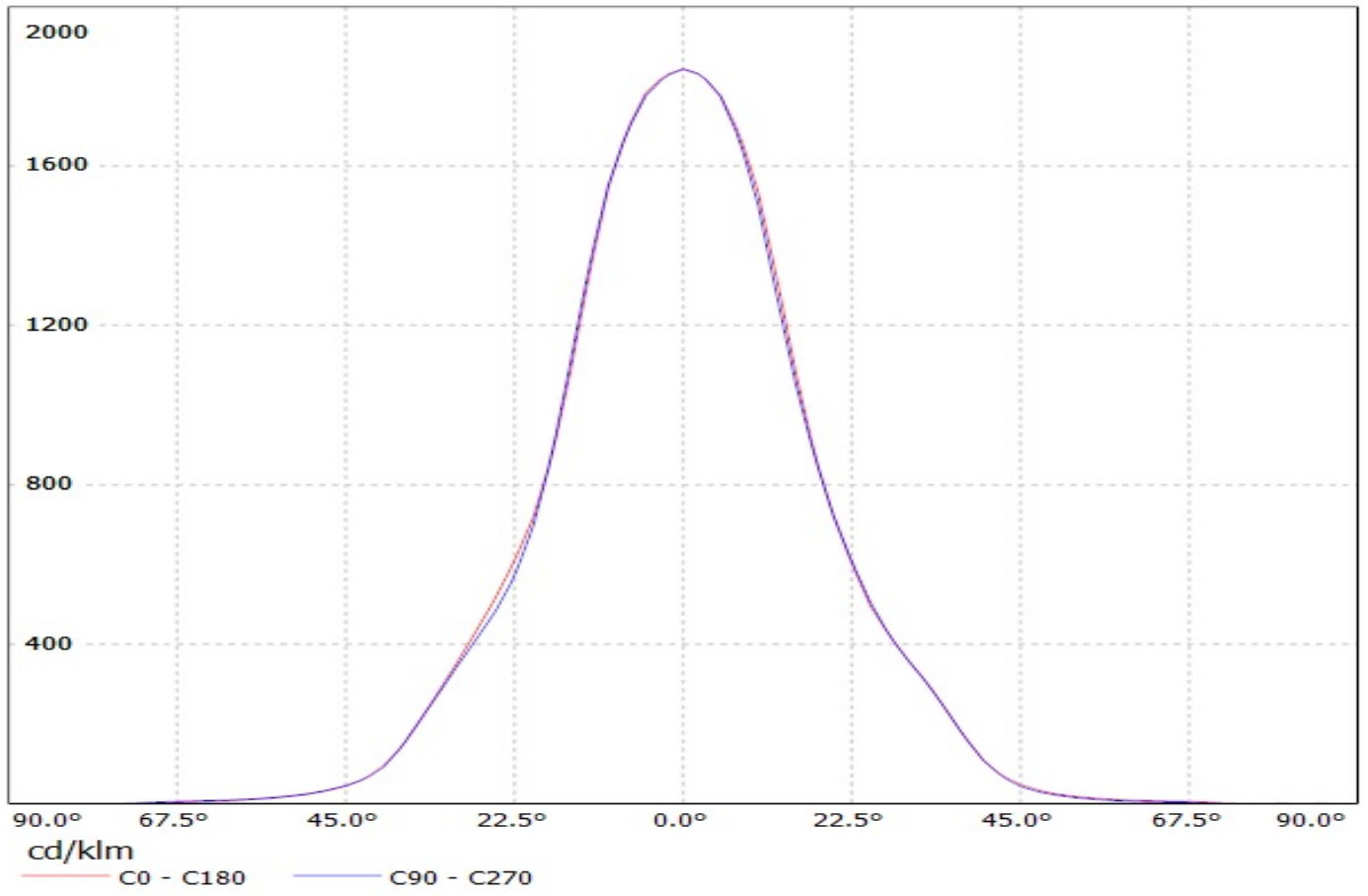
Luminaire: Ledil Oy FP10997\_LISA2-WW-PIN (Cree XP-E 73lm @ 250mA) Efficiency=91%  
Lamps: 1 x Cree XP-E 73lm @ 250mA



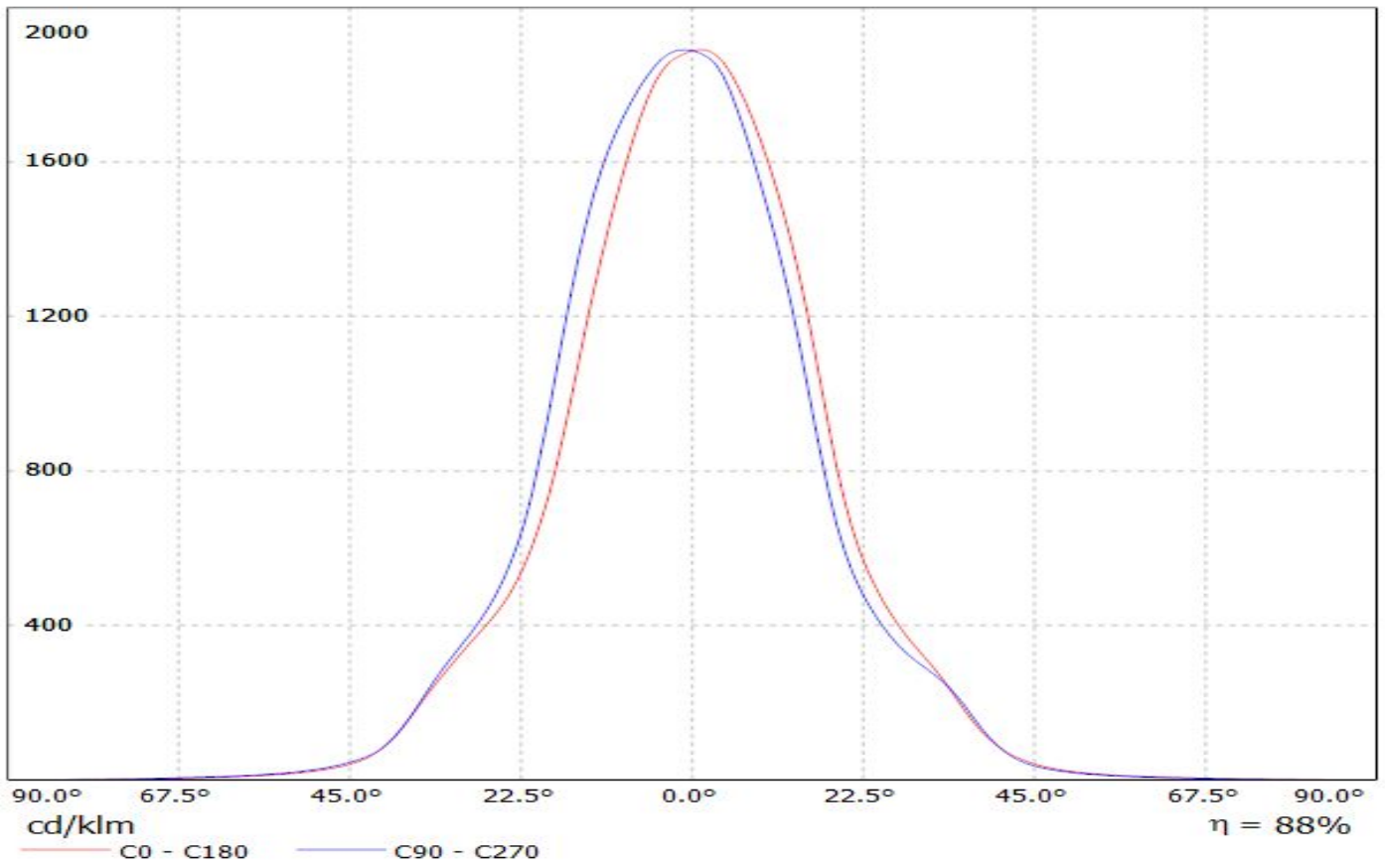
Luminaire: Ledil Oy FA10997\_Lisa2\_WW\_Pin/FP11077\_LISA2-WW-CLIP\_XP-G FA10997\_Lisa2\_WW\_Pin/FP11077\_LISA2-WW-CLIP\_XP-G  
Lamps: 1 x Cree XP-G (White)



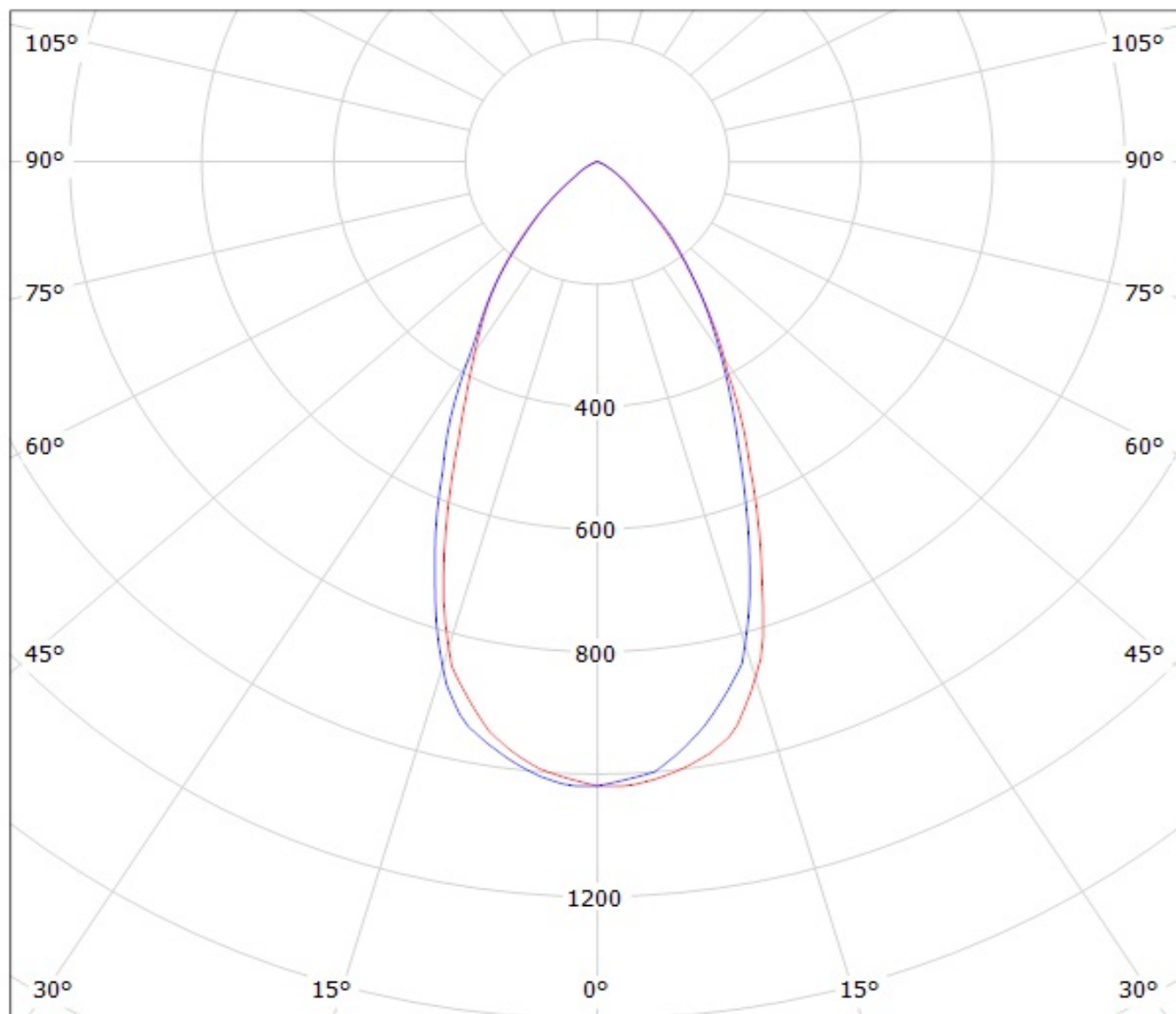
Luminaire: LEDil Oy FP10997\_LISA2-WW-PIN\_(Luxeon\_Z\_ES) Efficiency=88%  
Lamps: 1 x Philips Lumileds Luxeon Z ES (LXZ2-3090) 50.4lm @ 250mA CCT=3200K P=0.7 I=250mA



Luminaire: LEDiL Oy FP10997\_LISA2-WW-PIN\_(Luxeon\_C\_WHITE)  
Lamps: 1 x Luxeon\_C\_WHITE\_84.9929lm@250mA\_P=0.7402W\_ι=0.250A



Luminaire: Ledil Oy FP10997\_LISA2-WW-PIN (Cree XP-E 73lm @ 250mA) Efficiency=91%  
Lamps: 1 x Cree XP-E 73lm @ 250mA



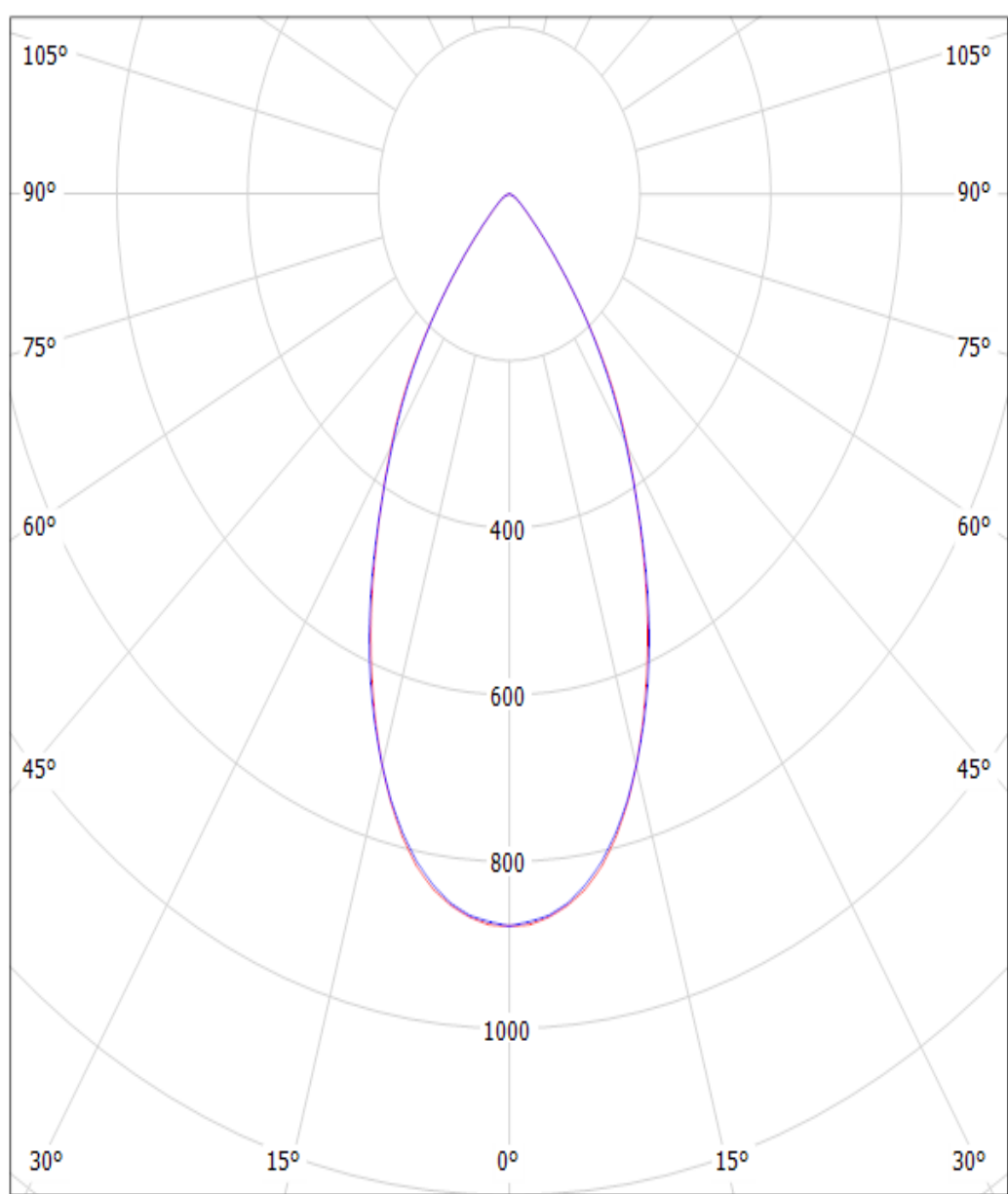
cd/klm

— C0 - C180

— C90 - C270

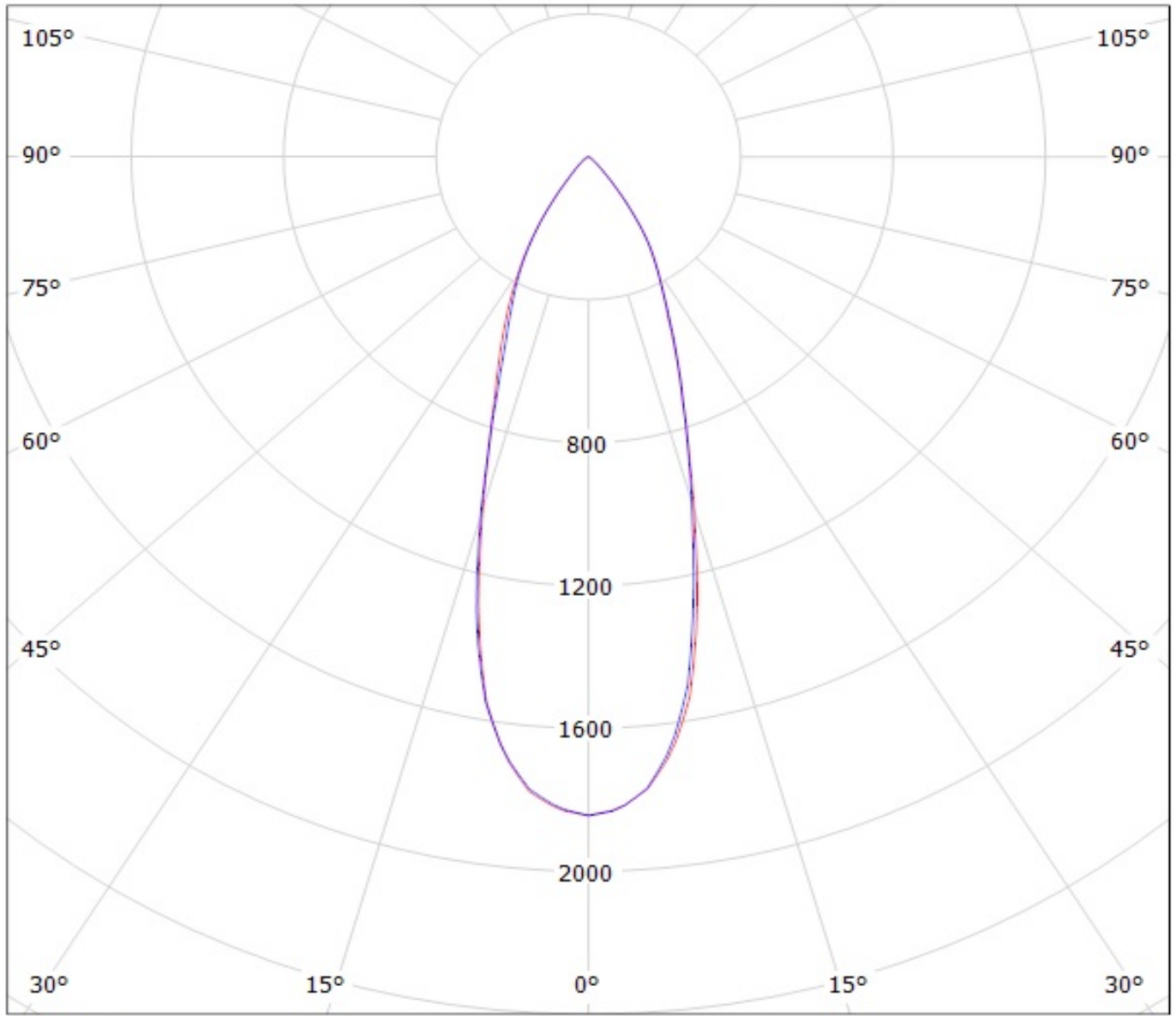


Luminaire: Ledil Oy FA10997\_Lisa2\_WW\_Pin/FP11077\_LISA2-WW-CLIP\_XP-G FA10997\_Lisa2\_WW\_Pin/FP11077\_LISA2-WW-CLIP\_XP-G  
Lamps: 1 x Cree XP-G (White)



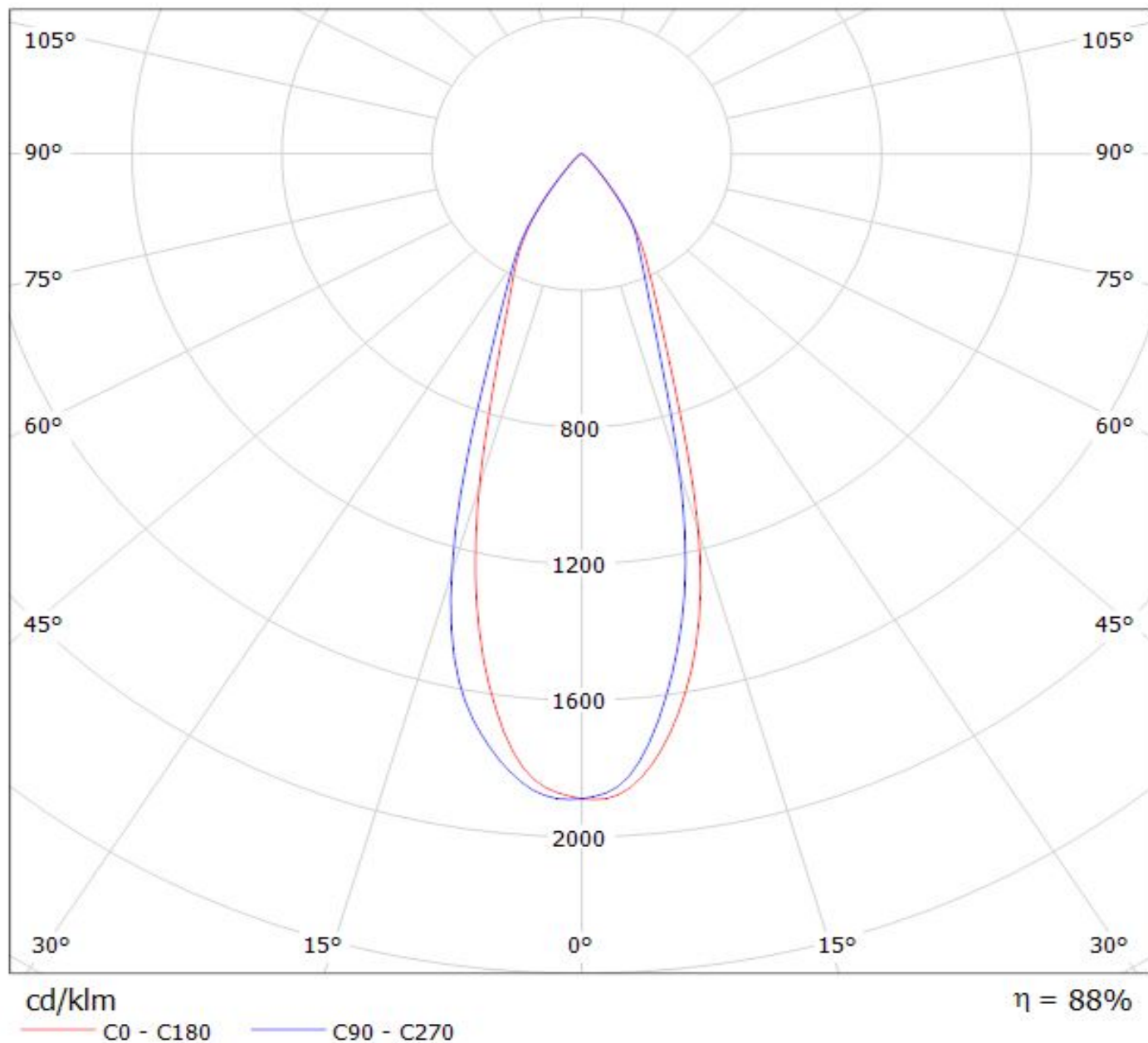
cd/klm  
— C0 - C180 — C90 - C270

Luminaire: LEDil Oy FP10997\_LISA2-WW-PIN\_(Luxeon\_Z\_ES) Efficiency=88%  
Lamps: 1 x Philips Lumileds Luxeon Z ES (LXZ2-3090) 50.4lm @ 250mA CCT=3200K P=0.7 I=250mA



cd/klm  
— C0 - C180 — C90 - C270

Luminaire: LEDiL Oy FP10997\_LISA2-WW-PIN\_(Luxeon\_C\_WHITE)  
Lamps: 1 x Luxeon\_C\_WHITE\_84.9929lm@250mA\_P=0.7402W\_I=0.250A



**NOTE: The typical divergence will be changed by different color, chip size and chip position tolerance. The typical total divergence is the full angle measured where the luminous intensity is half of the peak value.**