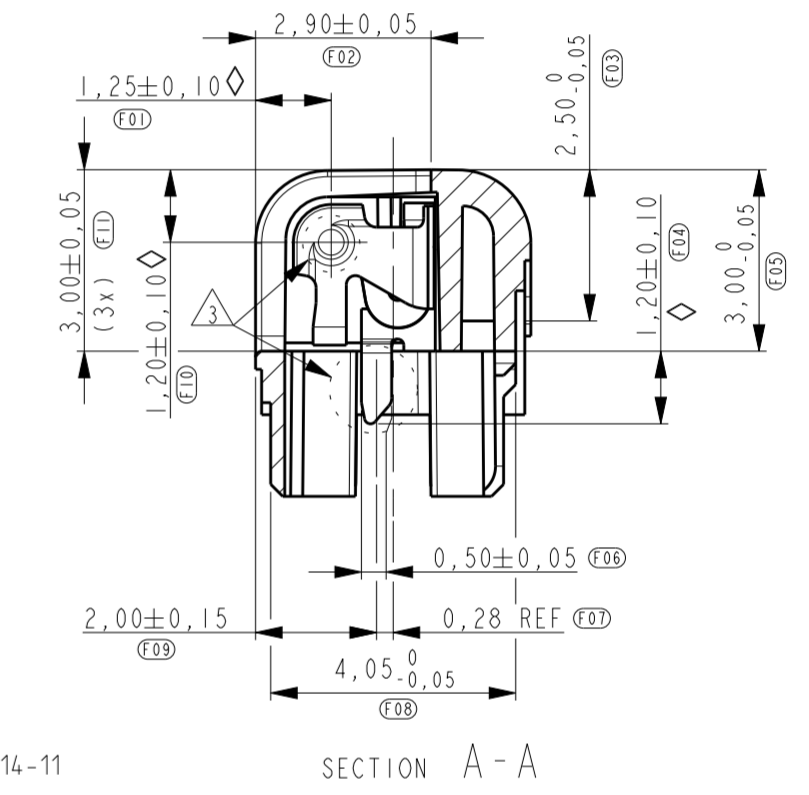
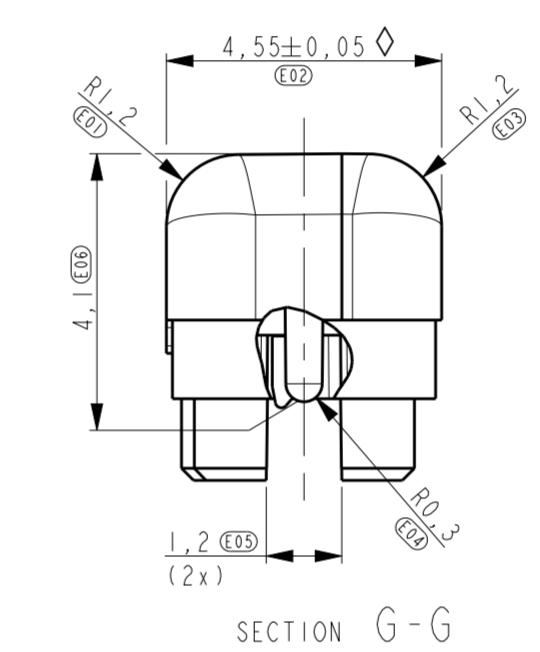
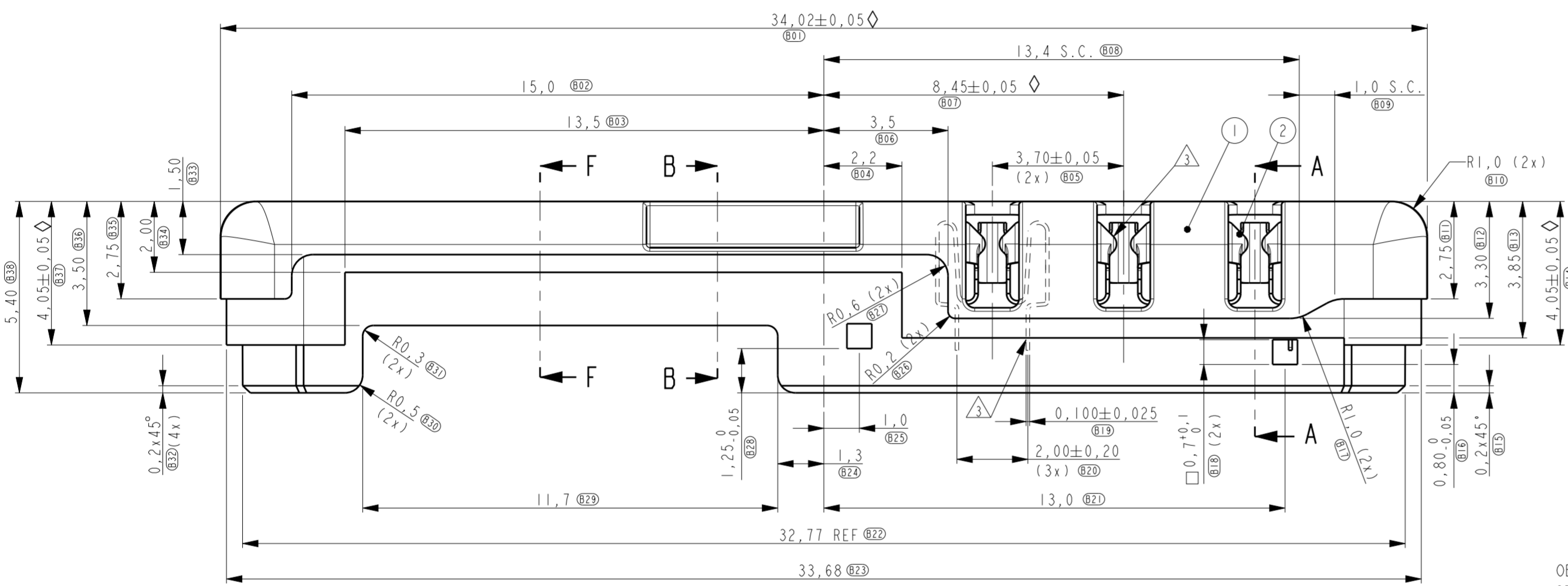
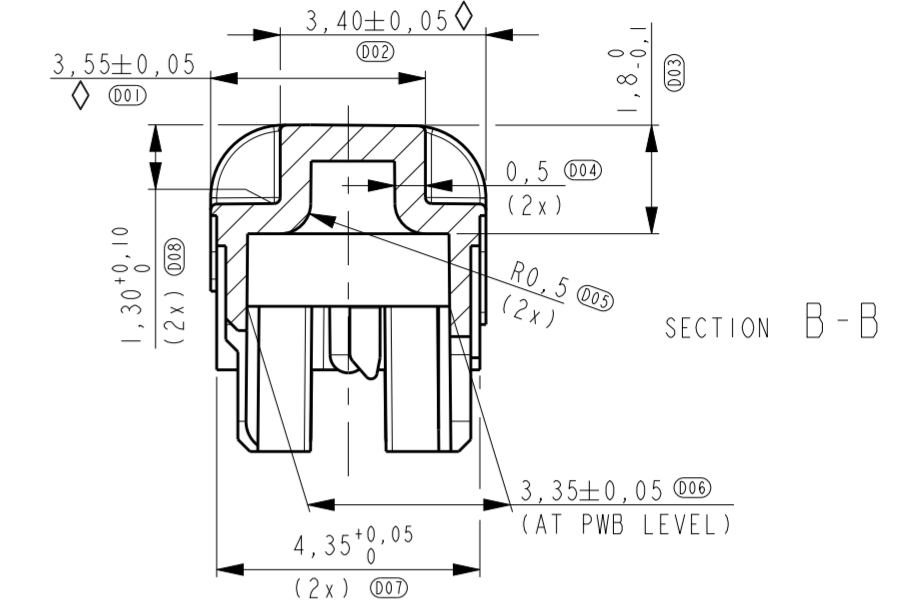
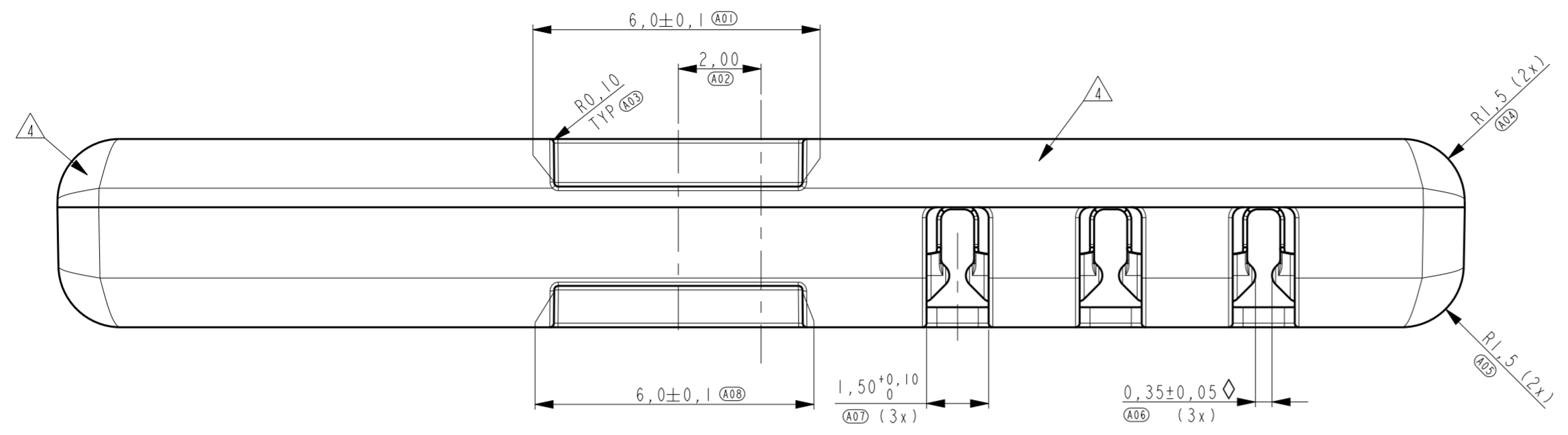


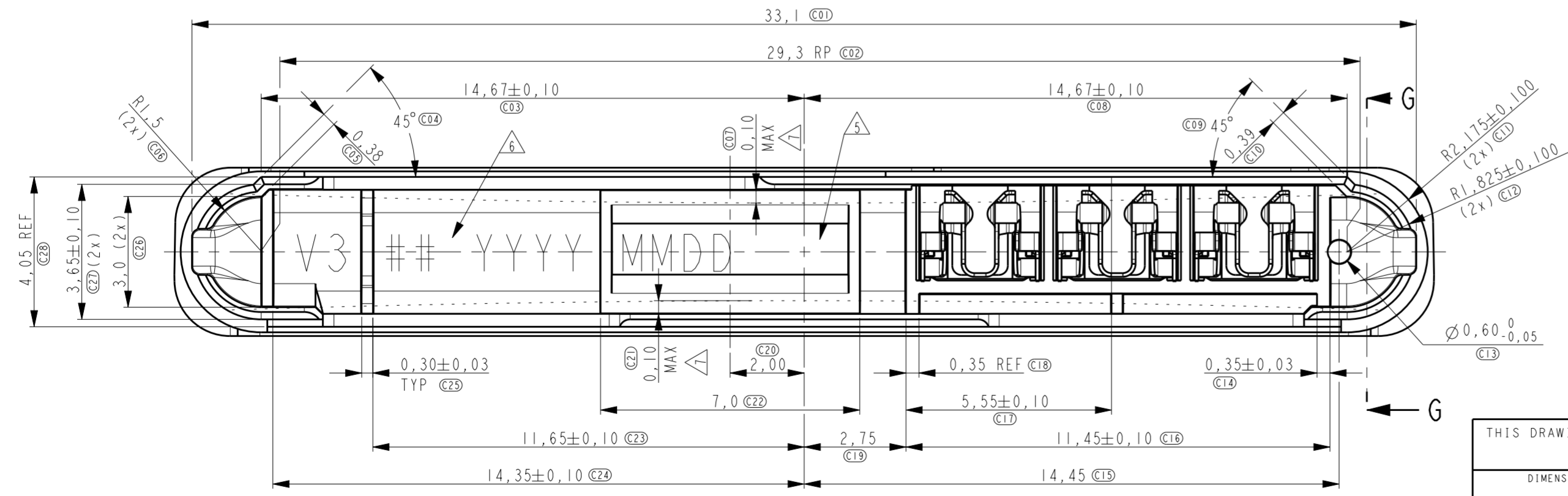
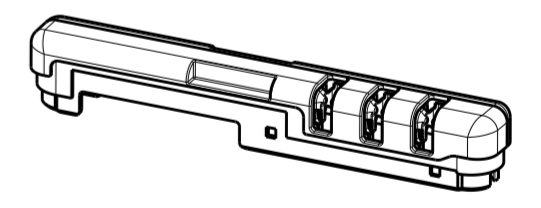
THIS DRAWING IS UNPUBLISHED. RELEASED FOR PUBLICATION
 © COPYRIGHT - BY - ALL RIGHTS RESERVED.

| REVISIONS | | | | |
|-----------|-----|---------------|-----------|---------|
| P | LTR | DESCRIPTION | DATE | APVD |
| B | | ECR-17-000970 | 09MAR2017 | A.Z H.L |



NOTES:

- 1 TE PN. 2042078-1 --> SONY PN. 1-822-014-11
- 2 OBSOLETE
- 3 OBSOLETE
- 4 TE PN. 2042078-2 --> SONY PN. 1-822-014-21
- 5 TE PN. 2042078-3 --> SONY PN. 1-822-014-31
- 6 TE PN. 2042078-4 --> SONY PN. 1-822-014-41
- 7 2 DRAWING REPRESENTS PART VERSION "V3".
- 8 PLATING:
 - 1.2 µm MIN. NICKEL ALL OVER
 - 0.8 µm MIN. GOLD ON CONTACT POINTS
 - 3.0 µm MIN. TIN ON SOLDER AREA
- 9 SURFACE TEXTURE Ra 1.9 µm (TOOL TEXTURE SPARK ERODED ACCORDING TO VDI 3400-24/27) COLOUR: BLACK (PANTONE 3U2X).
- 10 MARKING: MOLD CAVITY IDENTIFICATION.
- 11 MARKING: VERSION (V3), PROCESS ID (##), PRODUCTION DATE (YYYYMMDD).
- 12 MAXIMUM WARPAGE, INWARD ONLY.

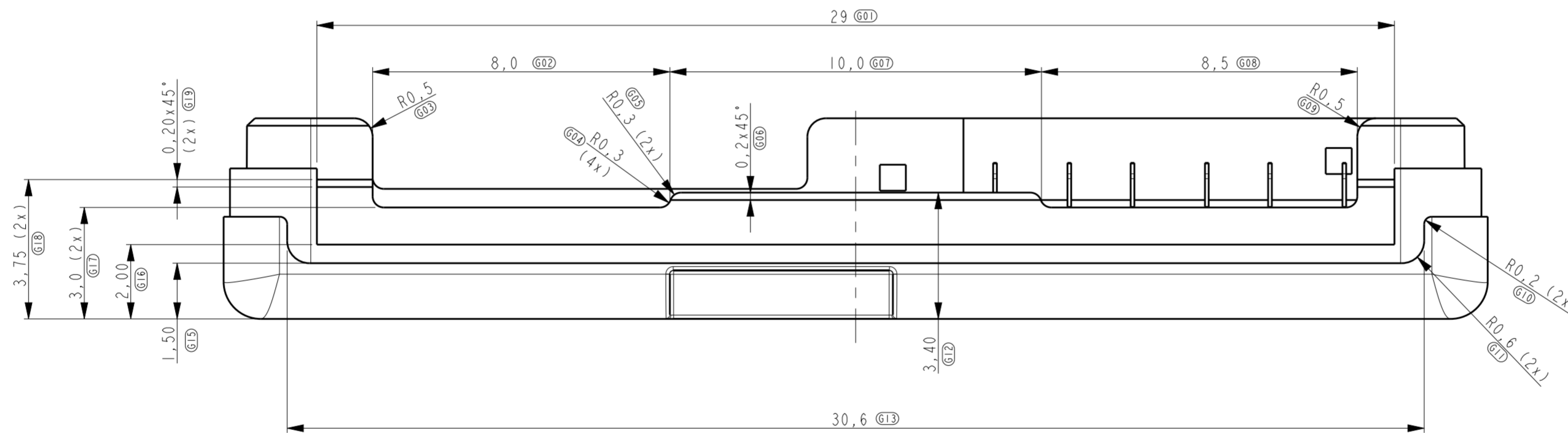
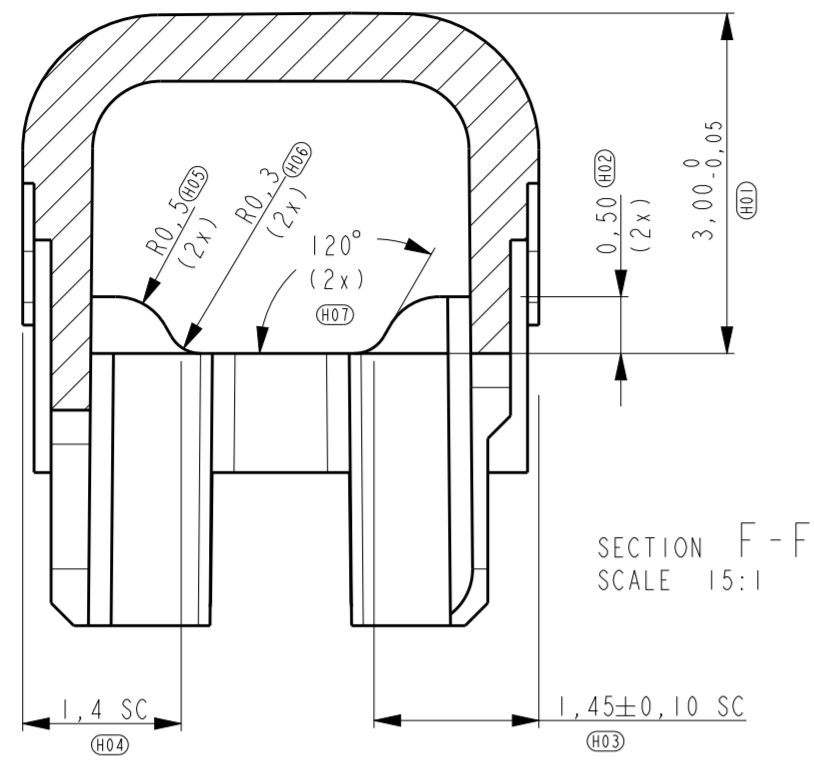


VIEW P

| | | | | | | | |
|--|--|------------------------------------|--|------------------|--|----------------------|--|
| THIS DRAWING IS A CONTROLLED DOCUMENT. | | DWN 11 JAN 2008 S. Zwartkruis | | COPPER ALLOY | | GOLD PLATED | |
| DIMENSIONS: mm | | CHK 14 JAN 2008 P. Willems | | PP (PG4N1) 20%GF | | FINISH | |
| TOLERANCES UNLESS OTHERWISE SPECIFIED: | | APVD 14 JAN 2008 D. Halberstadt | | MATERIAL | | FINISH | |
| 0 PLC ±0.2 | | PRODUCT SPEC | | TE Connectivity | | RECEPTACLE CONNECTOR | |
| 1 PLC ±0.1 | | APPLICATION SPEC | | NAME | | 3 POSITION, BL-4CT | |
| 2 PLC ±0.05 | | 114-19088 | | SIZE | | BATTERY BLOCK | |
| 3 PLC ± | | WEIGHT 275 mg | | CAGE CODE | | DRAWING NO | |
| 4 PLC ± | | CUSTOMER DRAWING | | SCALE 8:1 | | RESTRICTED TO | |
| ANGLES ± | | SHEET 1 OF 2 | | REV B | | | |
| FINISH See Table finish_spec_2 | | | | | | | |

THIS DRAWING IS UNPUBLISHED. RELEASED FOR PUBLICATION
 © COPYRIGHT - BY - ALL RIGHTS RESERVED.

| REVISIONS | | | | |
|-----------|-----|-------------|------|------|
| P | LTR | DESCRIPTION | DATE | APVD |
| - | - | SEE SHEET 1 | - | - |
| | | | | |
| | | | | |



VIEW P

| | | | |
|---|--|------------------------------------|--|
| THIS DRAWING IS A CONTROLLED DOCUMENT. | | DWN 11 JAN 2008 S. Zwartkruis | TE Connectivity |
| DIMENSIONS: mm | | CHK 14 JAN 2008 P. Willems | |
| TOLERANCES UNLESS OTHERWISE SPECIFIED: | | APVD 14 JAN 2008 D. Halberstadt | NAME RECEPTACLE CONNECTOR 3 POSITION, BL-4CT BATTERY BLOCK |
| 0 PLC ±0,2 1 PLC ±0,1 2 PLC ±0,05 3 PLC ± 4 PLC ± ANGLES ± FINISH See Table finish_spec_2 | | PRODUCT SPEC 108-19276 | SIZE CAGE CODE DRAWING NO RESTRICTED TO |
| MATERIAL See Table material_2 | | APPLICATION SPEC 114-19088 | WEIGHT 275 mg |
| CUSTOMER DRAWING | | SCALE 8:1 | SHEET 2 OF 2 REV B |