

MODEL NUMBER
ADT-2545-7M-NNF-02

NOTES:

- 1.0 MATERIALS:
 1.1 HOUSING: STAINLESS STEEL PER ASTM-A582, TYPE 303.
 1.2 CENTER CONTACT: BERYLLIUM COPPER ROD ALLOY C172, PER ASTM-B194.
 1.3 DIELECTRIC: PTFE FLUOROCARBON PER ASTM-D1457.

2.0 PLATING:

- 2.1 HOUSING: PASSIVATED PER MIL-F-14072 AND QQ-P-35
 2.2 CENTER CONTACT: GOLD PER MIL-G-45204, TYPE II, CLASS 2.
 2.3 7MM NUT: ELECTROPOLISH (BRIGHT POLISH)

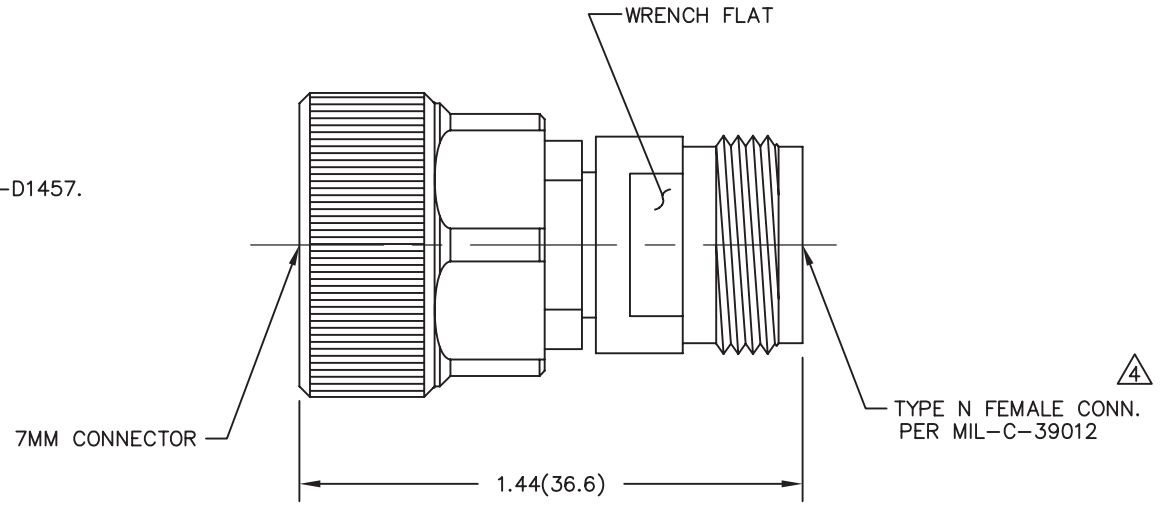
3.0 ELECTRICAL SPECIFICATION:

- 3.1 FREQUENCY RANGE: DC to 18.0 GHz
 3.2 VSWR (MAXIMUM): 1.025+.0025f(GHz)

4 MECHANICAL:


- 4.1 INTERFACE PER MIL-STD-348 FIG. 402-2.
 4.2 CAPTURED CENTER CONTACT.

5.0 DIMENSIONS IN PARENTHESIS ARE IN MILLIMETERS.



DWG NO. WAS: 02385-01-00

REV.	DESCRIPTION	DATE
-	RELEASED	4/15/87
A	ECR 5485	9/2/87
B	ECR 6545	6/29/89
C	REDRAW ON CAD	3/31/92
D	ECN 14037	10/19/94
D1	ADDED TITLEBLOCK	3/9/05

NOTICE: The information contained in this drawing is proprietary and must not be used without the permission of Cinch Connectivity Solutions. UNLESS OTHERWISE NOTED DIMENSIONS ARE IN INCHES AND TOLERANCES ARE: 3 PLACE DECIMALS ±.005 2 PLACE DECIMALS ±.02 FRACTIONS ±1/64 PARALLELITY: T.I.R. _____ FLATNESS: T.I.R. _____ CONCENTRICITY: T.I.R. _____ ANGLES AND PERPENDICULARITY: ±1'	CAGE CODE 34078	MIDWEST MICROWAVE	
		TITLE ADAPTER OUTLINE DRAWING	
DRAWN/DATE A.BEATTY 3/31/92	ENG./DATE A.OSGA 4/15/92	DRAWING NUMBER ADT-2545-7M-NNF-02-01	REV. D1
CHECKED/DATE	APPROVED/DATE	SCALE: 5=1	SHEET 1 of 1