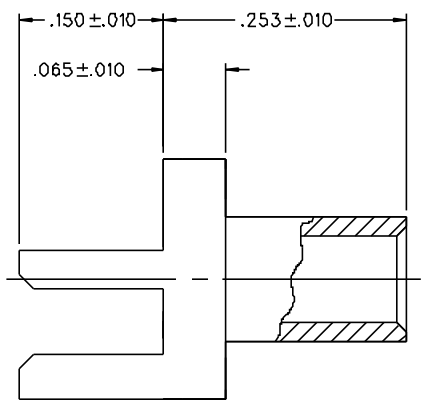
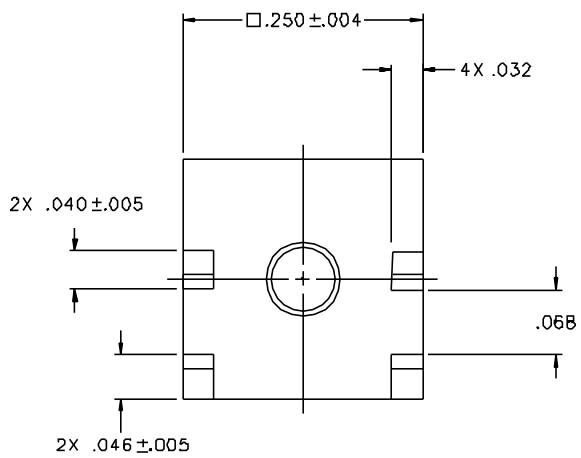
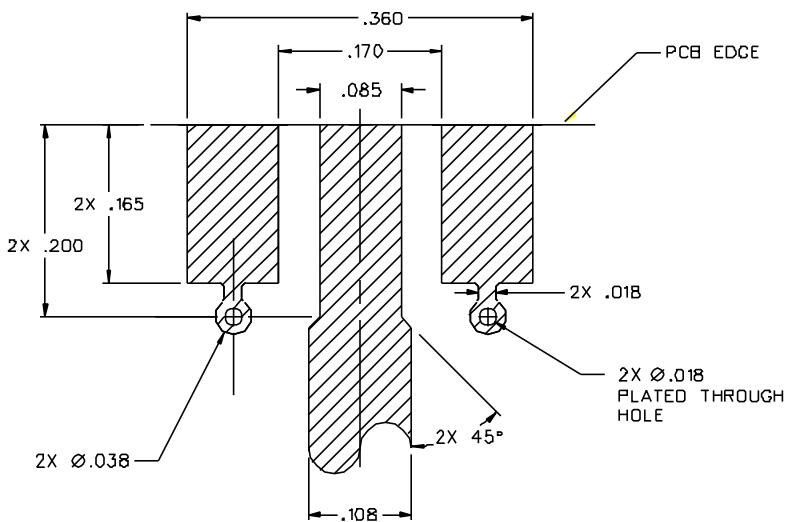


PART NUMBER	ITEM BODY
142-0093-801	BRASS GOLD PL .00001 MIN OVER NICKEL PL .00005 MIN OVER COPPER PL .00005 MIN
142-0093-806	BRASS NICKEL PL .0001 MIN OVER COPPER PL .00005 MIN

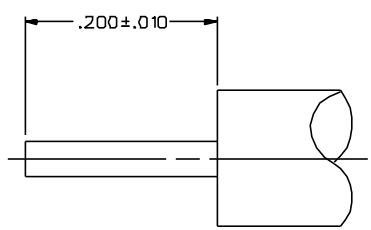
DRAWING NO. C - 142-0093-801/810	
0	REVISIONS
ENGINEERING RELEASE	
1	B-26-98 R H K T R R ECN 45830



DIMENSIONS ARE SYMMETRICAL ABOUT THE CENTERLINE



TRACE WIDTH DIMENSIONS



CABLE STRIP DIMENSIONS

CUSTOMER DRAWING  
THIS DRAWING TO BE INTERPRETED PER ANSI Y 14.5M - 1982  
"μSTATION"  
COMPANY CONFIDENTIAL

- NOTES:
- SPECIFICATIONS:  
CABLE ACCEPTABILITY: RG 405, .086 DIA SEMI-RIGID  
CABLE RETENTION: 3D LBS MIN FORCE  
16 INCH-OUNCE MIN TORQUE

TOLERANCE UNLESS OTHERWISE SPECIFIED	DRAWN BY KAS	DATE 5/19/98	 Cinch Connectivity Solutions 299 Johnson Ave. Ste. 100 Worcester, MA 01603 1-800-247-8256
DECIMALS .XX	CHECKED BY KAS	DATE 8-27-98	
.XXX -- .003	APPROVED BY TAK	DATE 9-9-98	TITLE 0.068 ENDLAUNCH CABLE TERMINATION, RG 405 SEMI-RIGID CABLE
MATL	APPROVED BY RJB	DATE 9-11-98	CODE NO.
FINISH	RELEASE DATE		DRAWING NO. C - 142-0093-801/810
SCALE 10:1			U/M INCH SHEET 2 OF 2