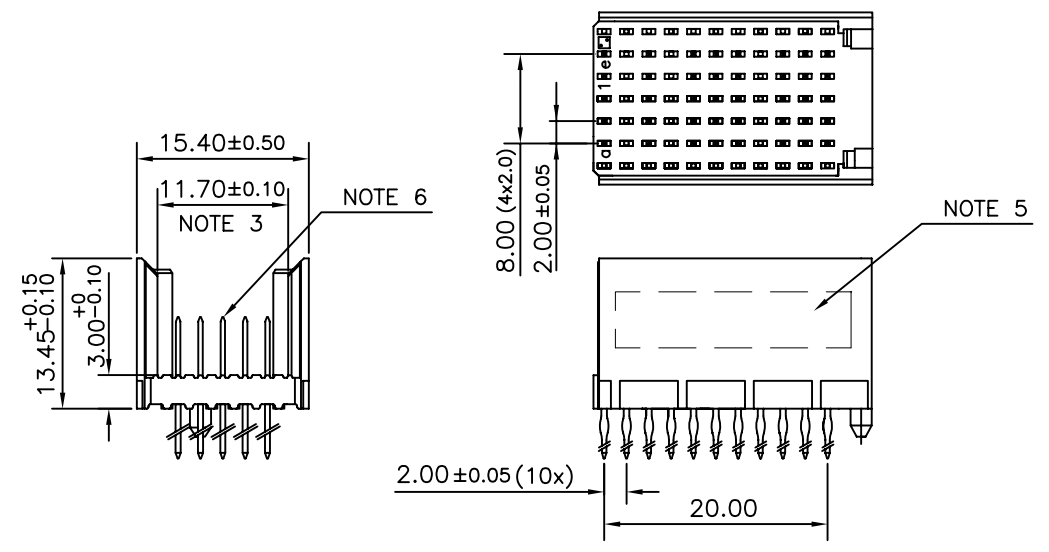


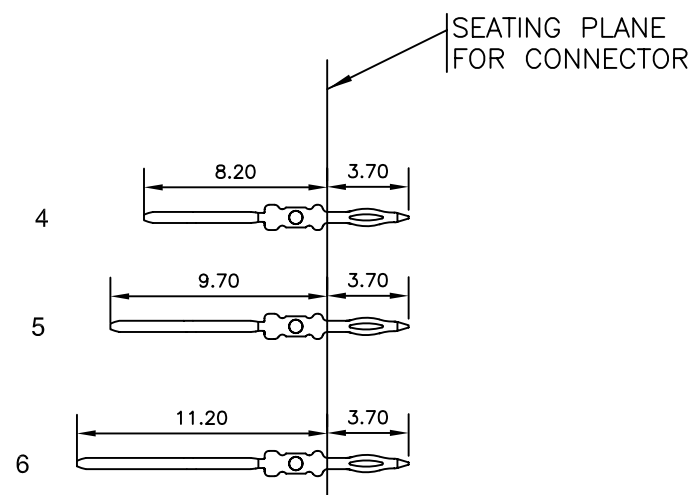
LOADING PATTERN MATING SIDE

f	0	0	0	0	0	0	0	0	0	0
e	6	4	4	4	4	4	5	5	4	6
d	6	4	4	4	4	4	5	5	4	6
c	6	4	4	4	4	4	5	5	4	6
b	5	4	4	4	4	4	5	5	4	5
a	6	4	4	4	4	4	5	5	4	6
z	0	0	0	0	0	0	0	0	0	0
POS	01					05				10

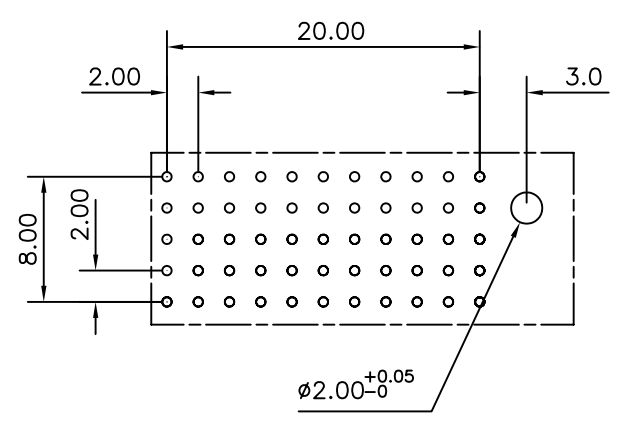
LOADED CONNECTOR ASSEMBLY (FOR EXAMPLE)



CONTACT OVERVIEW



LAY-OUT P.C.B.-HOLE



HM2P09PDM390 **LEAD FREE INDICATOR : LF = LEAD FREE (DIGIT 15 & 16)**  
**PLATING CODE (DIGIT 13 AND 14)**  
 (REF DRW NO. BS,C , 201844 , 003)

- NOTES**
- THIS PRODUCT IS CSA APPROVED.
  - THIS PRODUCT IS UL RECOGNIZED.
  - MEASURED AT THE BOTTOM.
  - MATERIAL CONTACT: PHOSPHORBRONZE  
HOUSING: CREAM WHITE GLASS FILLED POLYESTER UL-94V0
  - CONNECTOR PRINTED WITH P/N AND DATE CODE.
  - FOR ACTUAL CONTACT LOADINGS, SEE LOADING PATTERN MATING SIDE.
  - SHAPE OF CONNECTOR HOUSING CAN ALTER DEPENDING ON PRODUCTION LOCATION
  - THIS PRODUCT (LF) MEETS EUROPEAN UNION DIRECTIVES AND OTHER COUNTRY REGULATIONS AS DESCRIBED IN GS-22-008
  - FOR RECOMMENDED PTH DIMENSIONS REFER DRAWING : BS, A , 201572 , 001
- CATALOG NO: HM2P09PDM390----

mat'l. code		surface		tolerance		projection		product family			
SEE NOTE 4		ISO 1302		ISO 406 ISO 1101				MILLIPACS			
ltr	ecn no	dr	date	tolerances unless otherwise specified		MM		title			
A	109-0158	GT	2009-08-12	angles	linear	—		MPACS 5+2R STR HDR PF CONN TYPE C			
				0°±1°		scale					
				dr	GEORGE THOMAS	2009-08-12			dwg no		
				enr	ALEX BABU	2009-08-12			sheet 1 of 1		
				chr	ALEX BABU	2009-08-12			size		
				appd	ALEX BABU	2009-08-12			A3		
sheet index	revision sheet	A	1							type Product Customer Drawing	