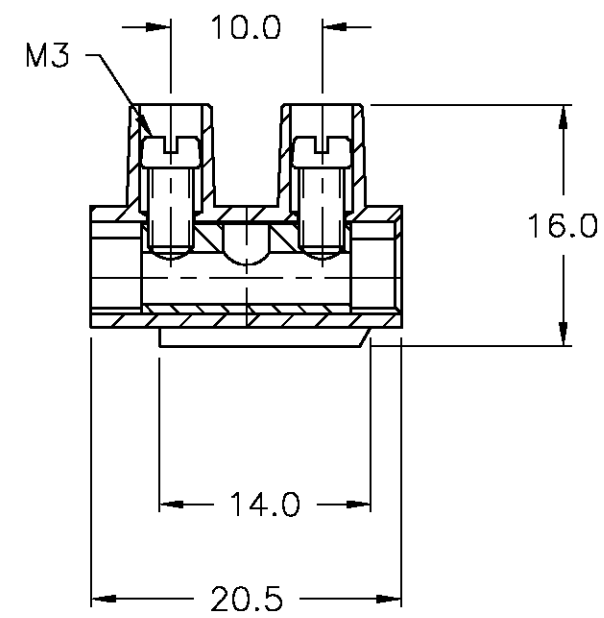
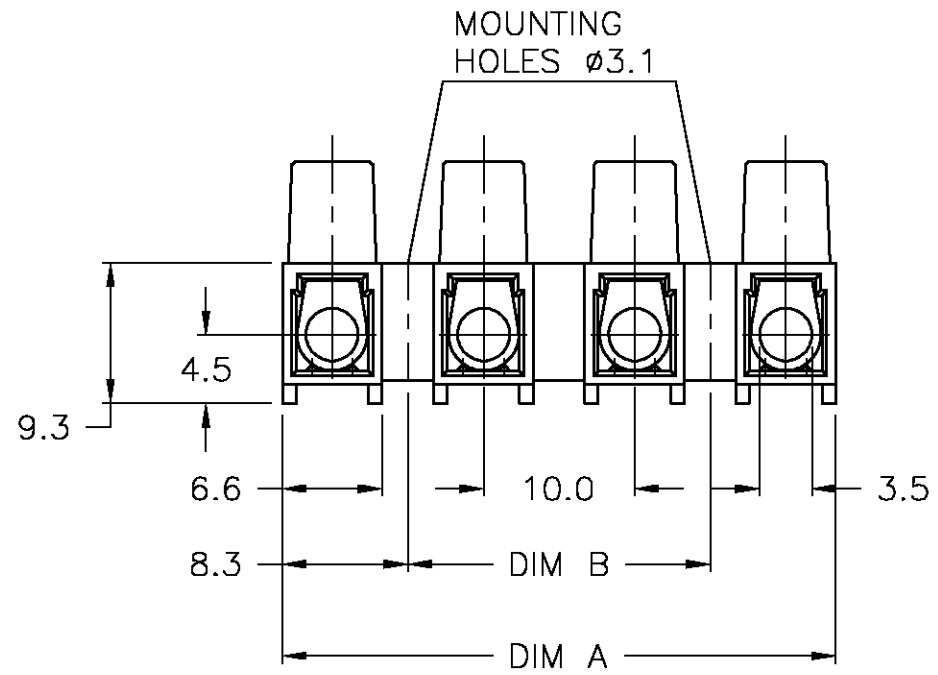


THIS DRAWING IS UNPUBLISHED. RELEASED FOR PUBLICATION
 © COPYRIGHT BY TYCO ELECTRONICS CORPORATION. ALL RIGHTS RESERVED.

LOC	DIST	REVISIONS			
P	LTR	DESCRIPTION	DATE	DWN	APVD
FT	0	0	RELEASED	5/13/05	SS CR

NOTES:

- MATERIAL:
 HOUSING: POLYAMIDE 6/6 UL94V-0, COLOR BROWN
 TERMINAL: BRASS, TIN PLATED
 SCREWS: STEEL, ZINC PLATED
- CURRENT RATING: 30A
 OPERATING VOLTAGE: 250V
 WIRE RANGE: 12-24 AWG
- CONTINUOUS WORKING TEMP: -50°C TO +160°C



30.0	46.6	5	1776368-5
DIM B	DIM A	NO. OF POS	PART NO.

THIS DRAWING IS A CONTROLLED DOCUMENT.		DWN S SCHLEGEL 5/13/05	Tyco Electronics Corporation Harrisburg, Pa 17105-3608	
DIMENSIONS: mm		CHK C RICHARD 5/13/05		
TOLERANCES UNLESS OTHERWISE SPECIFIED:		APVD C RICHARD 5/13/05	NAME	
0 PLC ± - 1 PLC ± - 2 PLC ± - 3 PLC ± .3 4 PLC ± - ANGLES ± 2°		PRODUCT SPEC	EUROPA TERMINAL BLOCK, MOUNTING HOLES 3.1 DIA, 10.0mm PITCH, HIGH TEMP	
MATERIAL		APPLICATION SPEC	RESTRICTED TO	
FINISH		WEIGHT	SIZE A3	CAGE CODE 00779
		CUSTOMER DRAWING	DRAWING NO C-1776368	REV 0
		SCALE NTS	SHEET 1 OF 1	