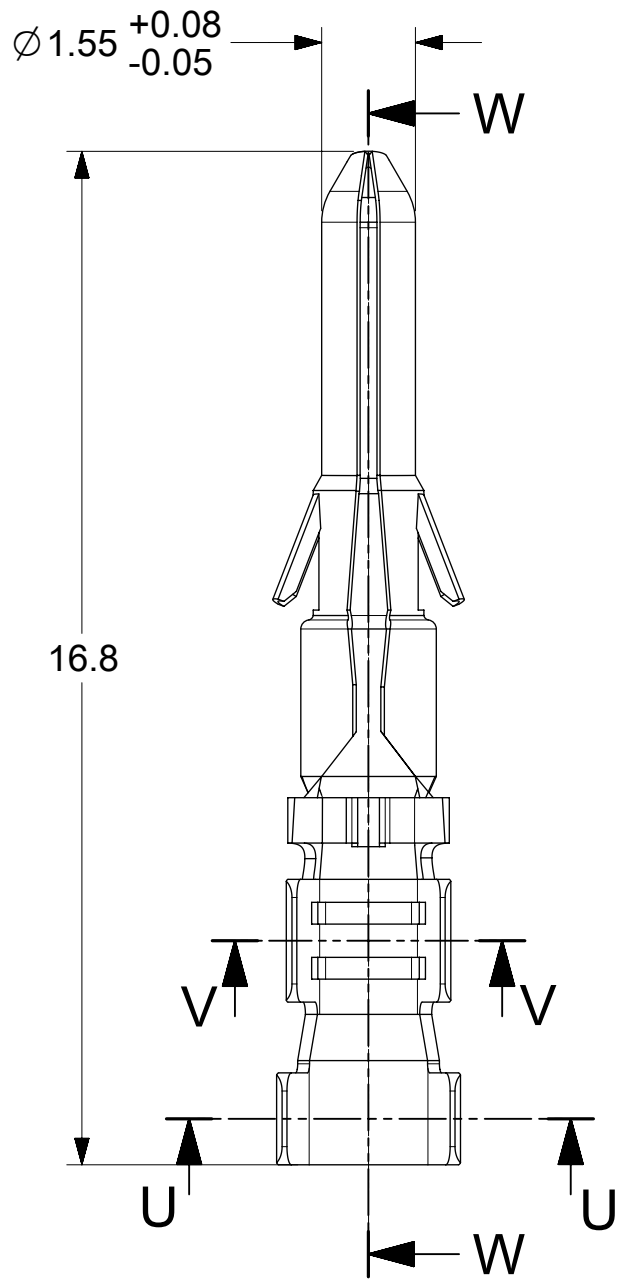
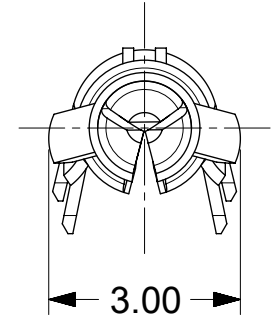
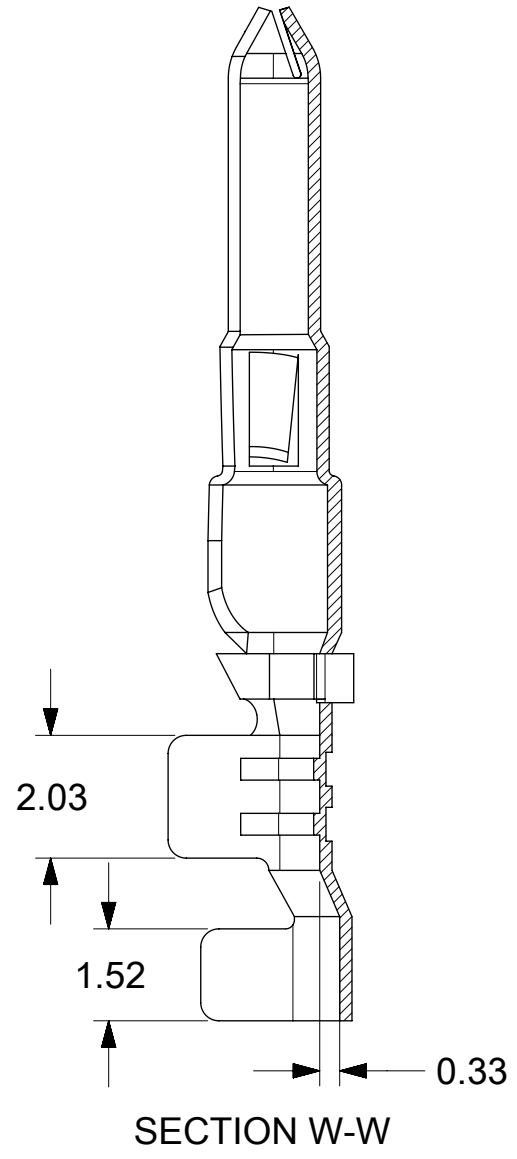


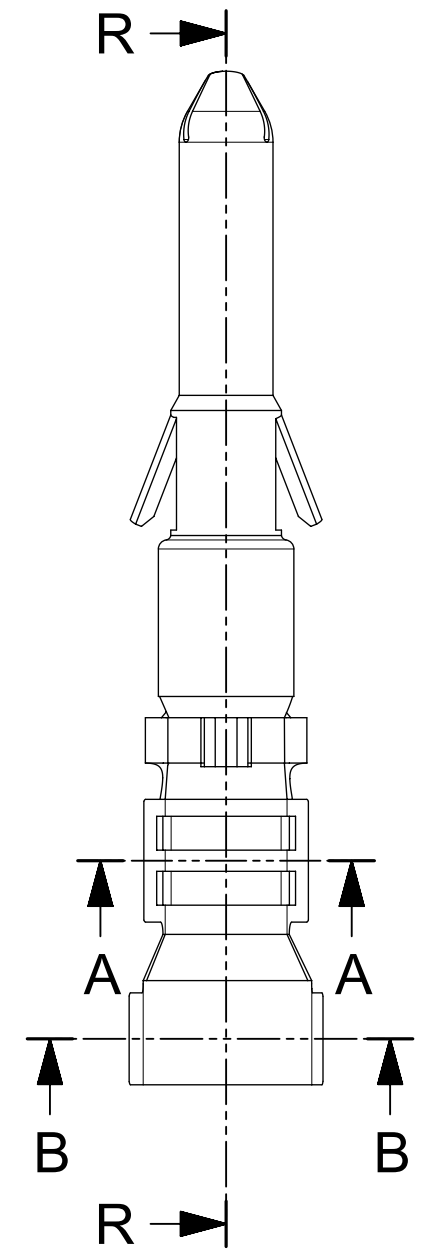
ISOMETRIC VIEW



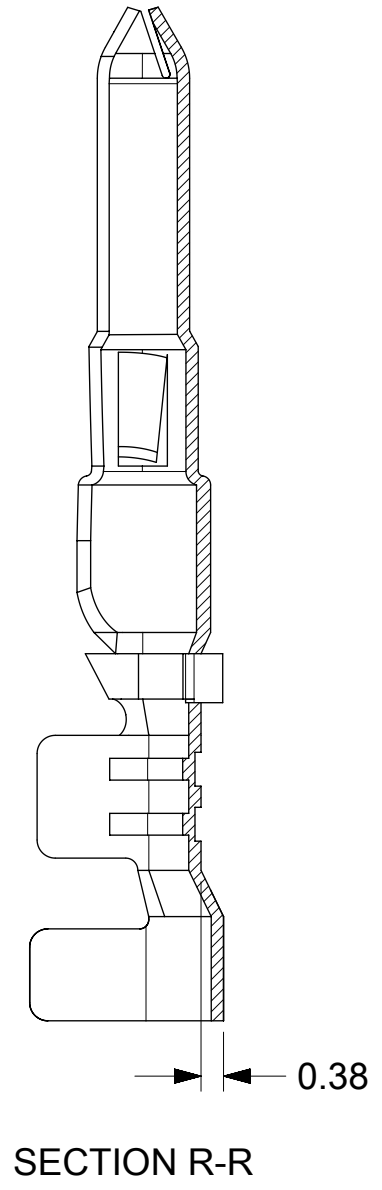
16-18 AWG TERMINAL



SECTION W-W



16 AWG TERMINAL

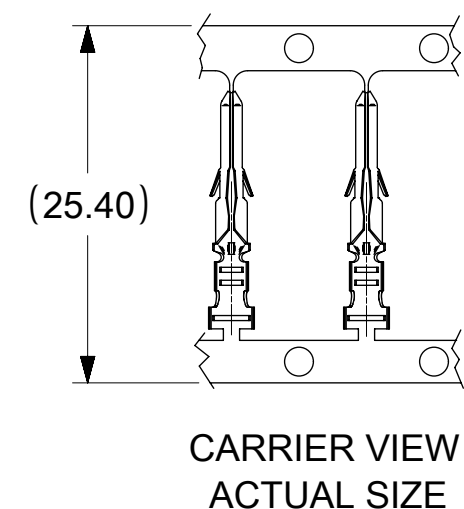
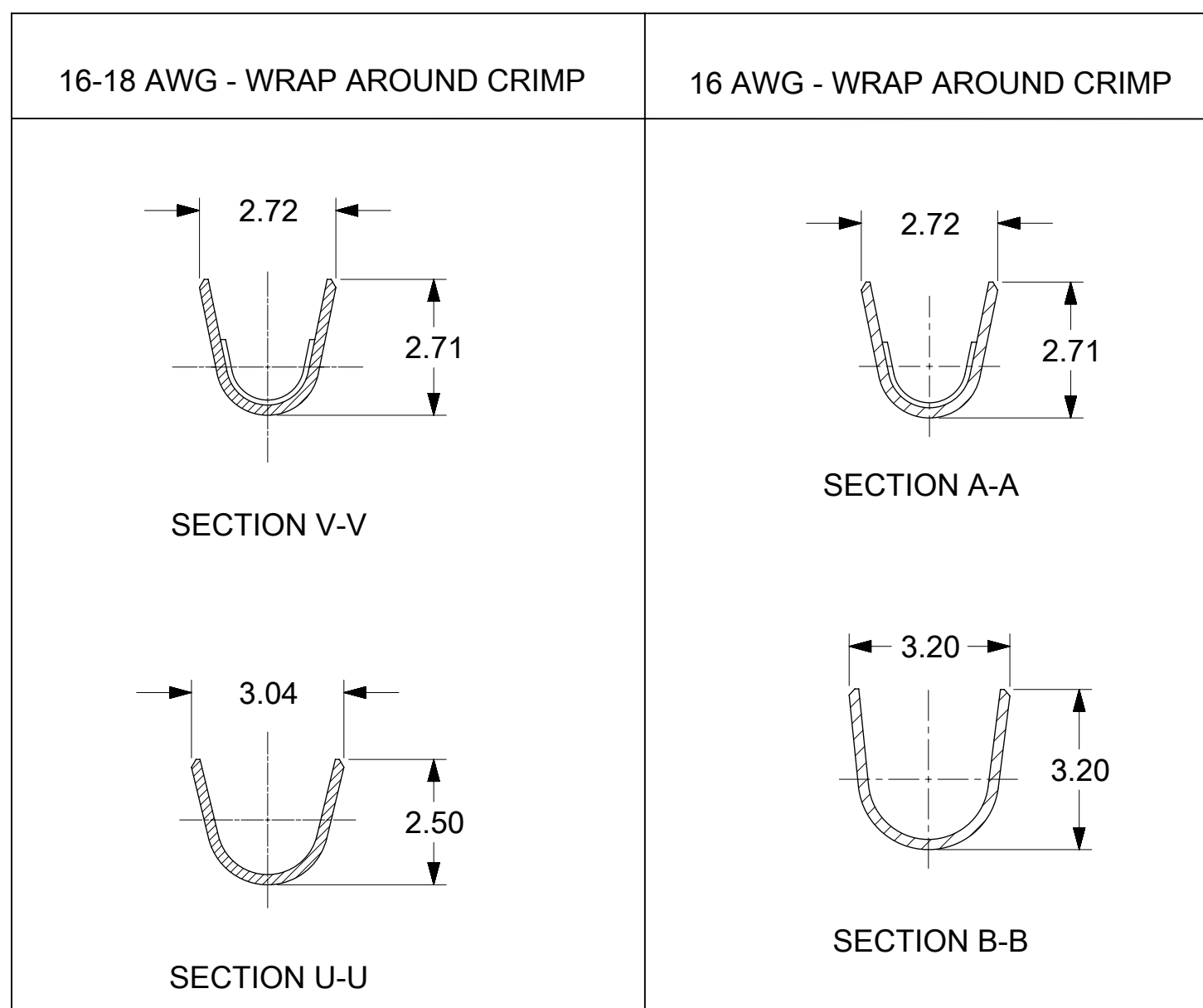


SECTION R-R

THIS DRAWING CONTAINS INFORMATION THAT IS PROPRIETARY TO MOLEX ELECTRONIC TECHNOLOGIES, LLC AND SHOULD NOT BE USED WITHOUT WRITTEN PERMISSION

RE-MASTERED IN ELECTRICAL EC NO: 112874 DRWN: ISHWARG CHKD: KPRASAD REV: D	2017/01/23	2017/01/27	GENERAL TOLERANCES (UNLESS SPECIFIED)	DIMENSION UNITS	SCALE		
			ANGULAR TOL $\pm 0.5^\circ$	MM	8:1		
			4 PLACES \pm	DRWN BY	DATE		SS06 2015/02/26
			3 PLACES \pm	CHK'D BY	DATE		ISHWARG 2016/07/06
			2 PLACES ± 0.25	APPR BY	DATE		RHODGE 2015/04/06
		1 PLACE ± 0.35	DRAFT WHERE APPLICABLE MUST REMAIN WITHIN DIMENSIONS	DRAWING SIZE	THIRD ANGLE PROJECTION	PRODUCT CUSTOMER DRAWING SERIES: 173041 MATERIAL NUMBER: SEE TABLE CUSTOMER: GENERAL MARKET DOCUMENT NUMBER: SD-173041-0001 DOC TYPE: PSD DOC PART: 000 SHEET NUMBER: 1 OF 2	

CONDUCTOR & INSULATOR CRIMP DIMENSIONS



NOTES:

1. MATERIAL: TIN BRASS
2. FINISHES:
HOT TIN DIP (60μ inches MIN).
3. PRODUCT SPECIFICATION: 1728770001-PS
4. PACKAGING SPECIFICATION: PK-173041-0001
5. TERMINAL FOR USE WITH PLUG HOUSING SERIES 172877
6. THIS PARTS TO CONFIRM TO CLASS 'B' REQUIRMENTS OF COSMETIC SPECIFICATION PS-45499-002.

TABLE:

PART NUMBER	SHEET THICKNESS	CRIMP SIZE	WIRE STYLE	INSULATION DIAMETER (MEAN)	REMARKS
173041-0001	0.203	16 AWG	UL 1061	Ø1.98	ACTIVE
		18 AWG	UL 1007	Ø2.03	ACTIVE
		18 AWG	UL 1095	Ø1.90	ACTIVE
173041-0003	0.203	16 AWG	UL 1007	Ø2.39	TBD

THIS DRAWING CONTAINS INFORMATION THAT IS PROPRIETARY TO MOLEX ELECTRONIC TECHNOLOGIES, LLC AND SHOULD NOT BE USED WITHOUT WRITTEN PERMISSION

RE-MASTERED IN ELECTRICAL EC NO: 112874 DRWN: ISHWARG CHKD: KPRASAD REV: APPR: 2017/01/27	GENERAL TOLERANCES (UNLESS SPECIFIED)	DIMENSION UNITS	SCALE			
	ANGULAR TOL ± 0.5 °	MM	8:1			
	4 PLACES ±	DRWN BY	DATE		VALUSEAL MALE TERMINAL 16-18 & 20-22 AWG	
	3 PLACES ±	SS06	2015/02/26			
	2 PLACES ± 0.25	CHK'D BY	DATE		PRODUCT CUSTOMER DRAWING	
1 PLACE ± 0.35	ISHWARG	2016/07/06				
0 PLACES ±	APPR BY	DATE	SERIES	MATERIAL NUMBER	CUSTOMER	
DRAFT WHERE APPLICABLE MUST REMAIN WITHIN DIMENSIONS	RHODGE	2015/04/06	173041	SEE TABLE	GENERAL MARKET	
	DRAWING SIZE	THIRD ANGLE PROJECTION	DOCUMENT NUMBER			
	A2		SD-173041-0001	DOC TYPE	DOC PART	SHEET NUMBER
			PSD	000	2 OF 2	