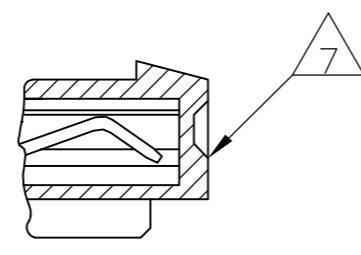
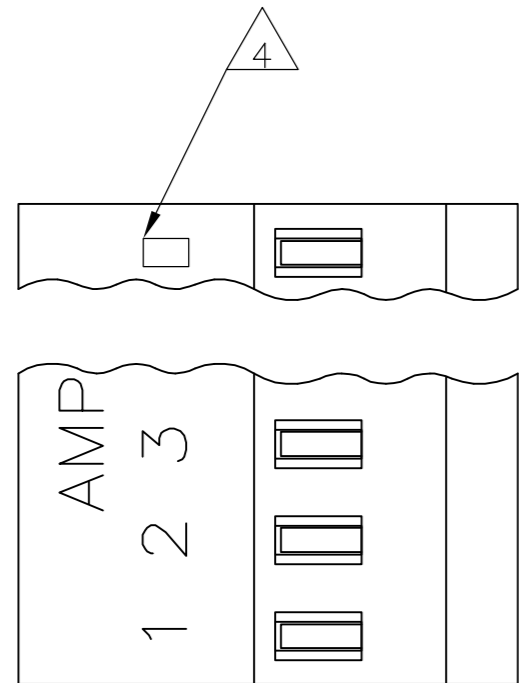
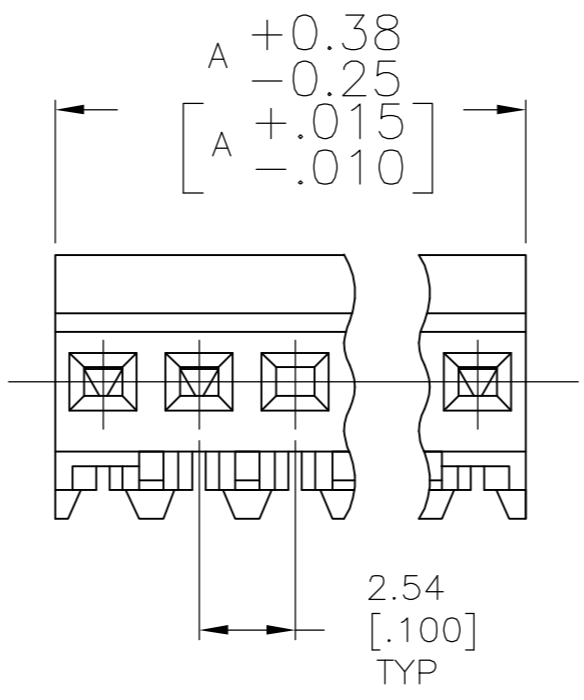
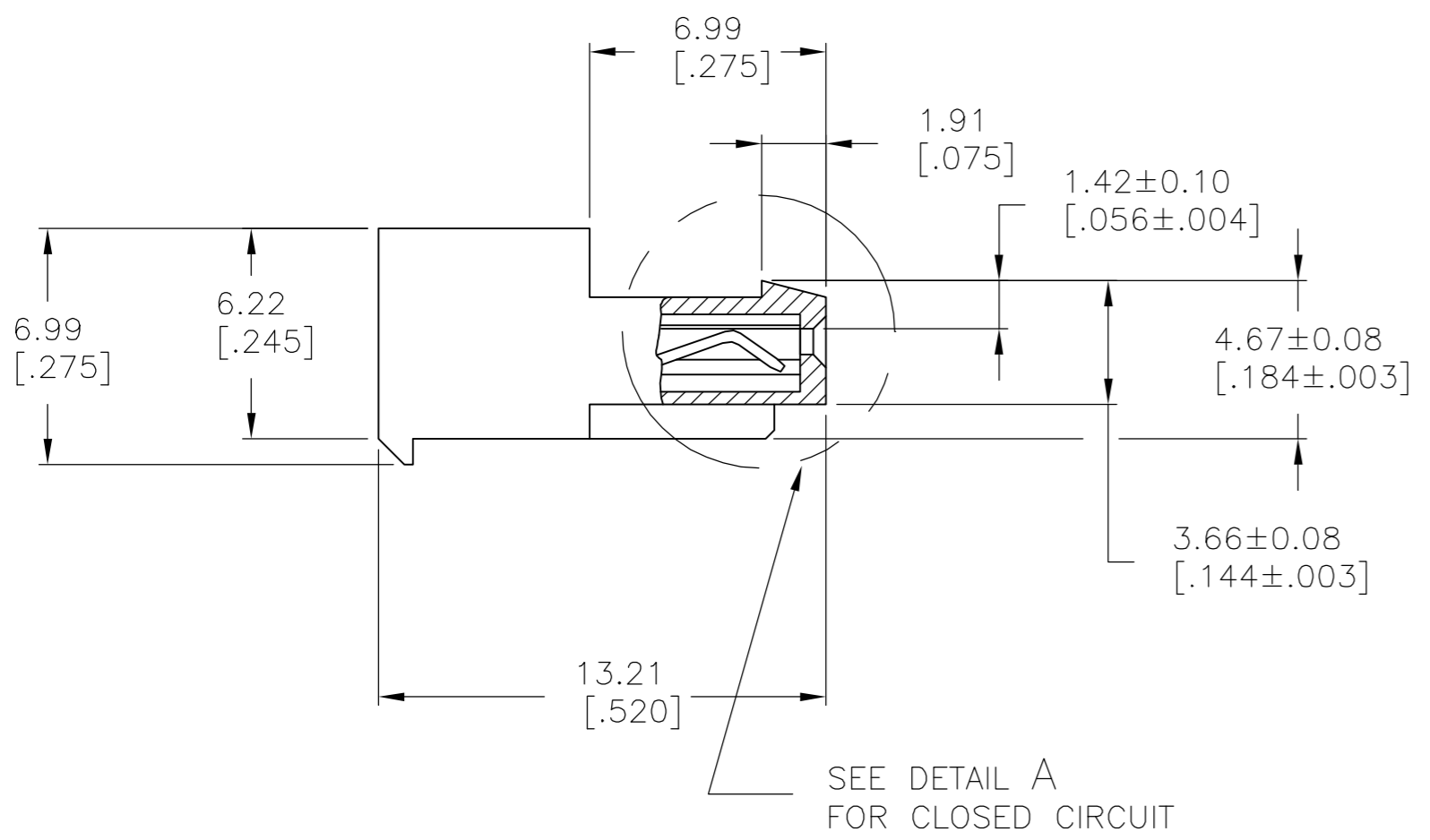


THIS DRAWING IS UNPUBLISHED. RELEASED FOR PUBLICATION  
 © COPYRIGHT BY TYCO ELECTRONICS CORPORATION. ALL RIGHTS RESERVED.

LOC	DIST	REVISIONS					
CM	00	P	LTR	DESCRIPTION	DATE	DWN	APVD
		E		REVISED PER ECO-07-003755	28FEB07	KW	DB



DETAIL A



FINISH	DIM A	NO OF CIRCUITS	PART NO
TIN	17.78 [.700]	7	3-644551-7
TIN-LEAD	17.78 [.700]	7	644551-7

- 1 MATERIAL: CONNECTOR - NYLON UL94V-2 (RED).  
CONTACTS - 0.30[.012] THICK COPPER ALLOY  
MATTE WHISKER MITIGATED TIN  
0.00203[.000080] MIN THICKNESS  
OVER NICKEL UNDERPLATE OR BRIGHT  
TIN-LEAD 93/7 0.00203[.000080] MIN  
THICKNESS. SEE FINISH COLUMN FOR  
PLATING TYPE.
- 2. CONTACTS ACCEPT 22 AWG WIRE WITH 1.52[.060] MAX  
INSULATION DIAMETER.
- 3. CONTACTS MUST ACCEPT 0.64±0.03[.025±.001] SQUARE  
POST AND REMAIN LOCKED IN POSITION.
- 4 IDENTIFICATION NUMBER FOR LAST CIRCUIT MAY  
NOT APPEAR ON ALL ASSEMBLIES.
- 5. DIMENSIONS IN BRACKETS ARE IN INCHES.
- 6. HOUSING FEATURES ARE: CLOSED END WITH LOCKING RAMP.
- 7 DETAIL A SHOWS CIRCUIT NO. 3 MOLDED CLOSED.

**METRIC**

THIS DRAWING IS A CONTROLLED DOCUMENT.		DWN B. LEWIS 22APR91	Tyco Electronics Corporation Harrisburg, Pa 17105-3608	
DIMENSIONS: mm [INCHES]		CHK R. SWING 22APR91		
TOLERANCES UNLESS OTHERWISE SPECIFIED:		APVD G. MILLER 22APR91	NAME MTA 100 CONNECTOR ASSEMBLY, 22 AWG, NO.3 CIRCUIT CLOSED, SPECIAL	
0 PLC ± - 1 PLC ± - 2 PLC ± - 3 PLC ± 0.13 [.005] 4 PLC ± - ANGLES ± - FINISH		PRODUCT SPEC 108-1050	SIZE A2	CAGE CODE 00779
MATERIAL 1		APPLICATION SPEC 114-1019	DRAWING NO C=644551	RESTRICTED TO -
1		WEIGHT -	SCALE 5:1	SHEET 1 OF 1
CUSTOMER DRAWING		REV E		