

PART NUMBER
10118242-001RLF

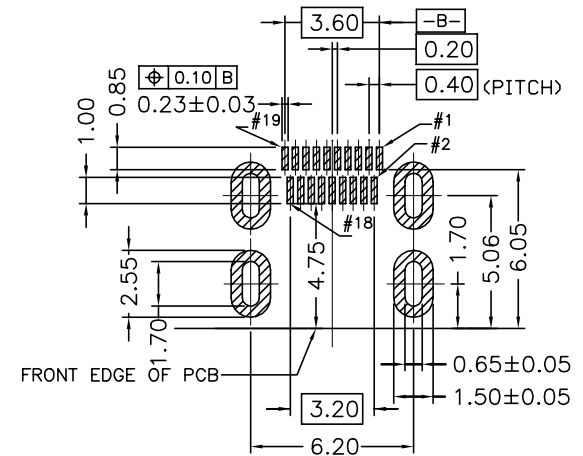
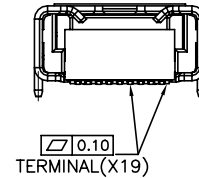
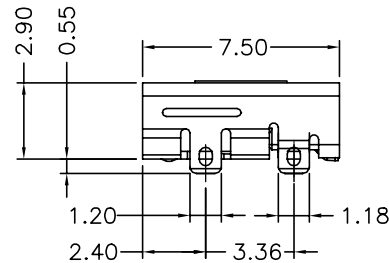
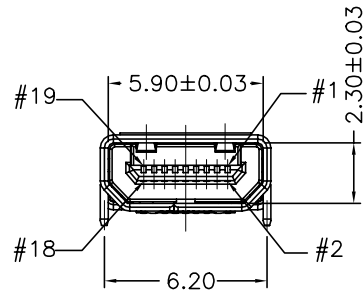
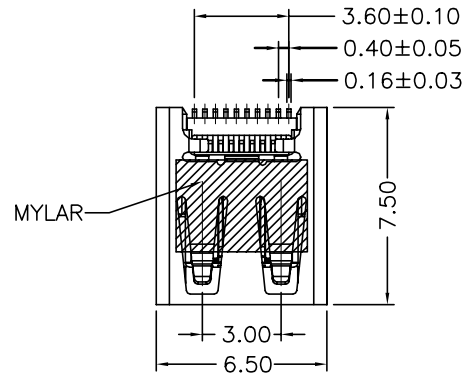
PART NO. DESCRIPTION:

10118242-00XXLF

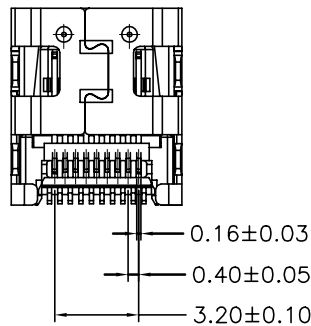
- LEAD FREE
- PACKING TYPE
- R:TAPE & REEL
- CONTACT AREA PLATING
- 1: Au 15u"

NOTES:

1. MATERIAL:
HOUSING: LCP+30%GF ,UL94 V-0,BLACK
TERMINAL: COPPER ALLOY,
SHELL: STAINLESS STEEL
2. FINISH:
CONTACT AREA: GOLD PLATED
SOLDER AREA: GOLD FLASH PLATED
SHELL: TIN PLATED
NICKEL PLATED UNDER OVER ALL
3. PRODUCT SPECIFICATION: GS-12-0983.
4. PACKAGING SPECIFICATION: GS-14-2164.
5. THE PRODUCT MEETS EUROPEAN UNION DIRECTIVES AND OTHER COUNTRY REGULATIONS AS DESCRIBED IN GS-22-008,
6. THE CONNECTOR CAN WITHSTAND EXPOSURE TO 260 DEGREE C PEAK TEMPERATURE FOR 10 SECONDS IN IR REFLOW OVEN.



RECOMMENDED PCB LAYOUT (.XX±0.05)
CONNECTOR SIDE (TOP VIEW)



mat'l. code		surface ASME Y14.5 ✓		tolerance ASME Y14.5		projection		product family HDMI		
l'tec n ndr		date		tolerances unless otherwise specified		MM		title		
A	LS	09/13/11	angle	.X±0.25				HDMI TYPE D RECEPTACLE		
B	ELX-N-012816	ZK	09/07/12	.XX±0.20				sheet 1 of 1		
				X°±1°	.XXX±	scale		dwg no 10118242		
				dr	LEIF SHEN	09/13/11	FCI		sheet 1 of 1	
				enr	LEIF SHEN	09/13/11			A4	
				chr	GARY HSIEH	09/13/11				
				app	GARY HSIEH	09/13/11				
sheet index	revision	sheet 1						type CUSTOMER Drawing		