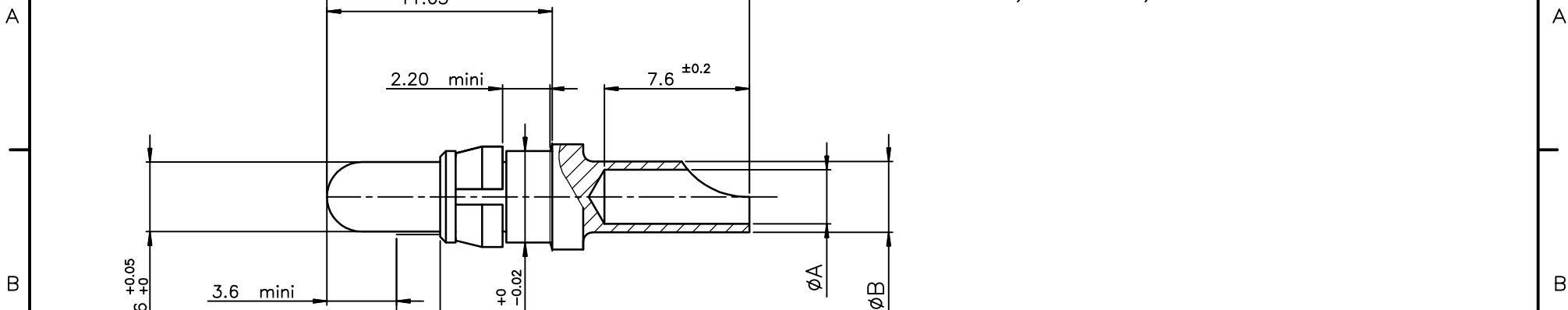


1 2 3 4



PLATING
1μ Ni + 0.4μmini Or

Zone de controle de la protection

Part number SEE TABLE

8630-3098NLF	Power contact #8	4.40	5.00	3.90	8.98
8630-3056NLF	Power contact #12	2.80	3.65	2.40	3.18
8630-3060NLF	Power contact #14	2.10	3.00	1.70	1.91
8630-3064NLF	Power contact #16	1.70	2.60	1.50	1.34
part numbers	Designation	$\phi A^{+0.10}_0$	$\phi B^{\pm 0.10}$	ϕ ame mm	Section mm ² CABLE



Copyright FCI.

NOTE:RoHS INFORMATIONS

- The "LF" product meets European union Directives and other country regulations as described in GS-22-008.
- The product is not intended to be exposed to a manufacturing solder process.
- Packaging spec: see GS-14-920.

European Views

www.fciconnect.com				surface ISO 1302	<input checked="" type="checkbox"/>	tolerance std ISO 406 ISO 1101	projection 	mm			
				TOLERANCES UNLESS OTHERWISE SPECIFIED							
Dr	M.PESSON	2006/03/11	ANGULAR	0.X	± 0.1	size	A3	Scale	5		
Eng	M.PESSON	2006/03/11	LINEAR	0.XX	± 0.1	ECN	F11-0326				
Chr	LEGARRE	2006/03/11	0.XX ± 2'	0.XXX	± 0.1	Spec ref	-				
Appr	LEGARRE	2006/03/11	Product family	D-SUB							
				title PIN POWERS CONTACTS				dwg no	C01-8639-2160	Rev.	C
				catalog no				CUSTOMER	sheet 1 of 1		

REV F - 2006-04-17

1 2 3 4