

4

3

2

1

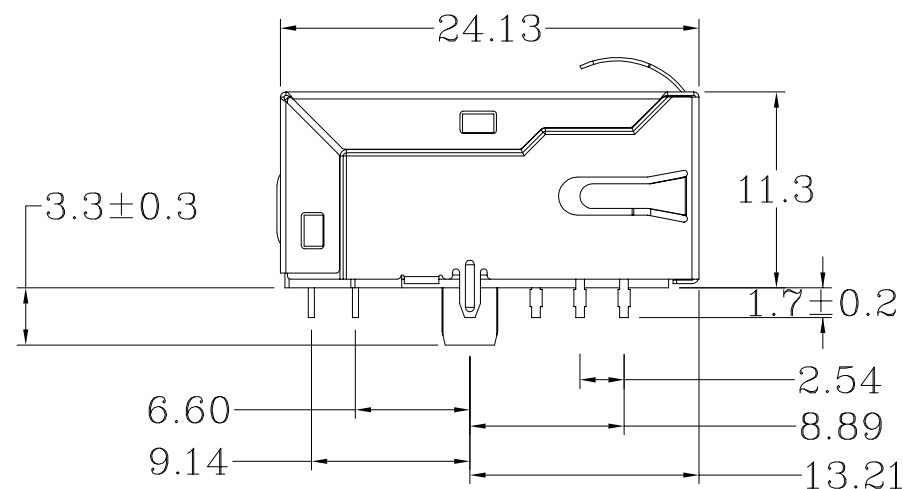
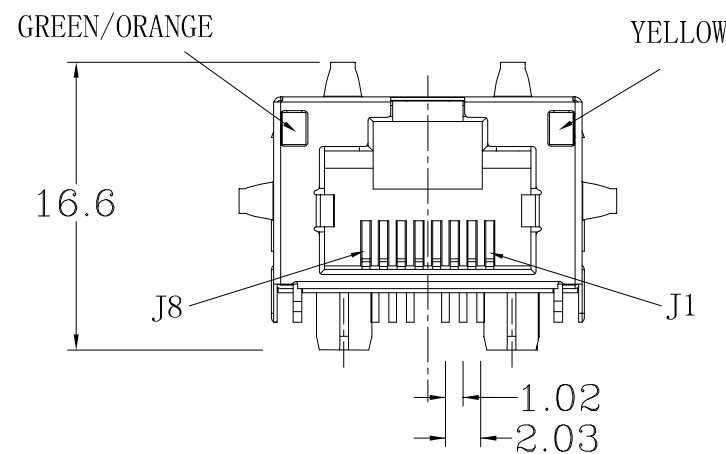
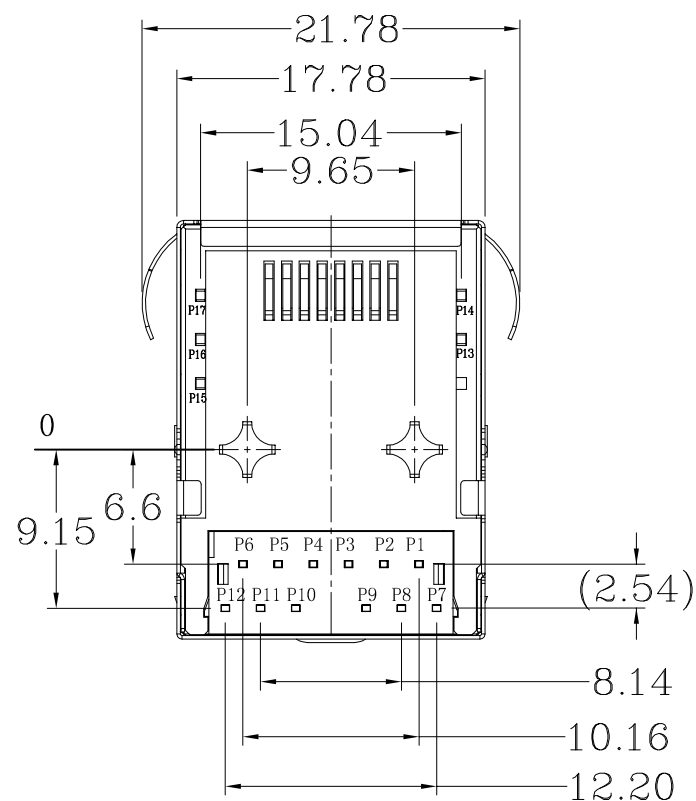
THIS DRAWING IS UNPUBLISHED RELEASED FOR PUBLICATION - ,2016.

© COPYRIGHT 2013 By TE CONNECTIVITY

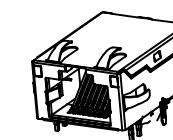
ALL RIGHTS RESERVED.

REVISIONS

P	LTR	DESCRIPTION	DATE	DWN	APVD
	B2	REV. PER PCN E-17-002286	28FEB2017	GCM	MSZ



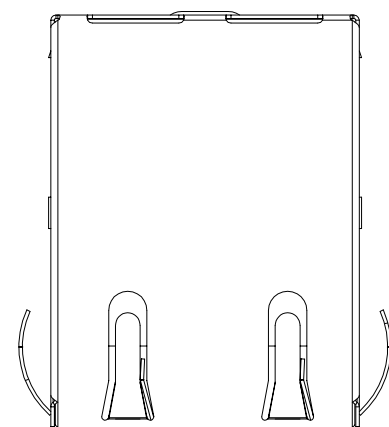
- ⚠ CONNECTOR MATERIAL:
 HOUSING: LCP BLACK UL94 V-0
 INSERT: LCP BLACK UL94 V-0
 SHIELD: BRASS
 SHIELD PLATING: NICKEL
 CONTACT: COPPER ALLOY
 CONTACT PLATING: SELECTIVE GOLD, MIN. 0.76 μm (30 μinch) IN CONTACT AREA OVER MIN. 1.27 μm (50 μinch) NICKEL
 SOLDER PIN PLATING: 3.05 μm (120 μinch) TIN OVER 1.02 μm (40 μinch) NICKEL OVER ALL
 SHIELDING PIN PLATING: NICKEL
- 2 PIN NOT ELECTRICALLY CONNECTED MAYBE OMITTED SEE ELECTRICAL CIRCUIT DIAGRAM FOR OMITTED PINS
- 3 RJ45 CAVITIES CONFORM TO FCC RULES AND REGULATION PART 68
- 4 THE PART IS RECOMMENDED FOR REFLOW SOLDERING PROCESS PEAK SOLDERING: TEMPERATURE MAX. +260° C, MAX. 10s
- 5 OPERATING TEMPERATURE: T = -40° C TO +85° C
- 6 STORAGE TEMPERATURE: T = -40° C TO +85° C
- ⚠ UNLESS OTHERWISE SPECIFIED, SEE TABLE FOR ALL DIMENSIONS TOLERANCES
- 8 JACK CONFIGURATION: 1 x 1 (LOW)
TAB DIRECTION: UP
- 9 PACKAGING: REEL (T+R) ACCORDING TO PACKAGING SPECIFICATION 107-18116



1:1



TABLE OF TOLERANCE (mm)	
RANGE	TOLERANCE
0-10	±0.15
>10-40	±0.25
>40-70	±0.30
>70	±0.40



THIS DRAWING IS A CONTROLLED DOCUMENT.		DWN 02AUG2016 GANESH C M		
DIMENSIONS: mm		CHK 02AUG2016 FRANZ MUELLER		
TOLERANCES UNLESS OTHERWISE SPECIFIED:		APVD 02AUG2016 MARTIN SZELAG	NAME RJ45 JACK INT.MAG. 1Gb LED 1x1 INV. (low)	
		PRODUCT SPEC 108-94552	-	
MATERIAL		APPLICATION SPEC 114-94447	SIZE A3	CAGE CODE 00779
FINISH		WEIGHT	DRAWING NO C=1-2301994-1	RESTRICTED TO -
		CUSTOMER DRAWING		SCALE 3:1
				SHEET 1 of 3
				REV B2

THIS DRAWING IS UNPUBLISHED

RELEASED FOR PUBLICATION

-,2016.

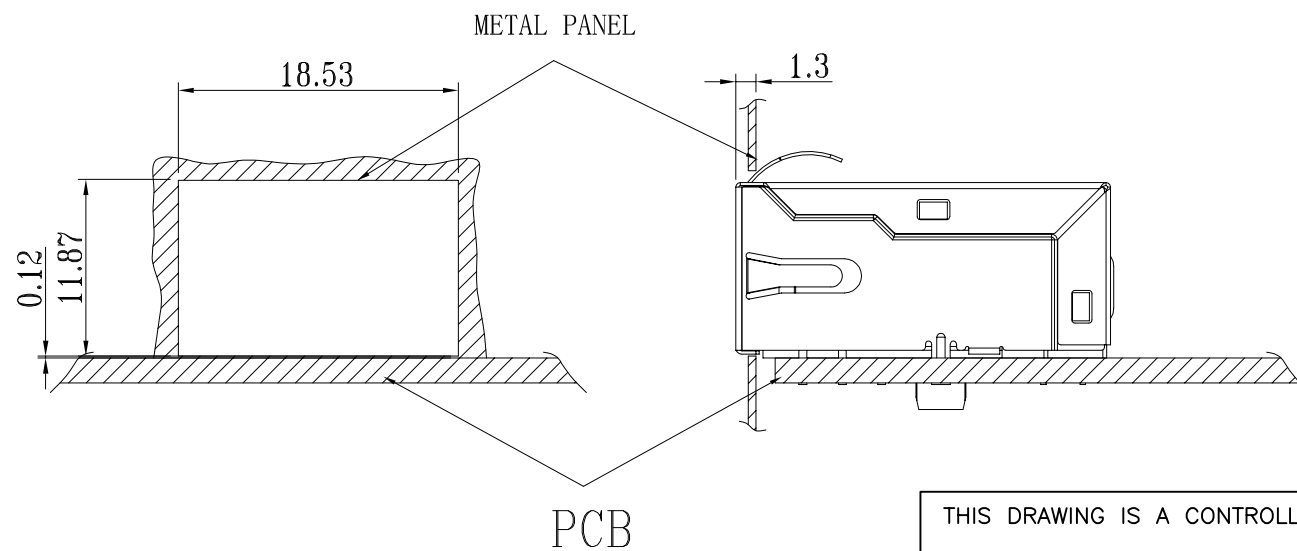
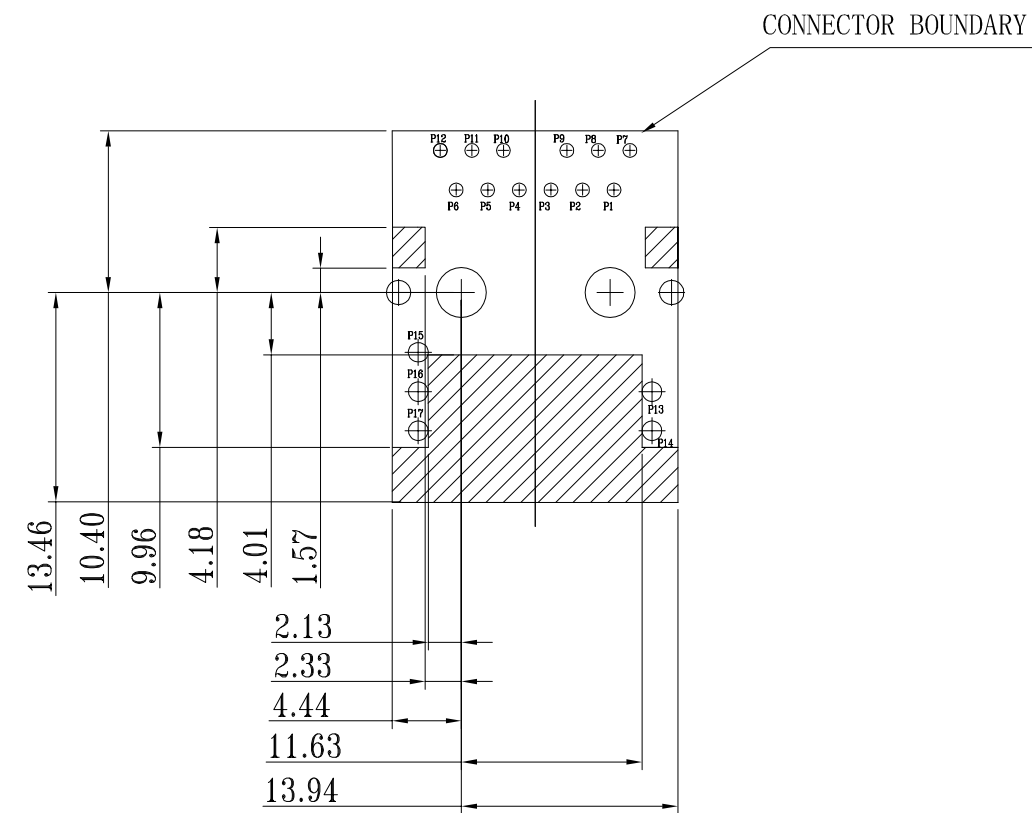
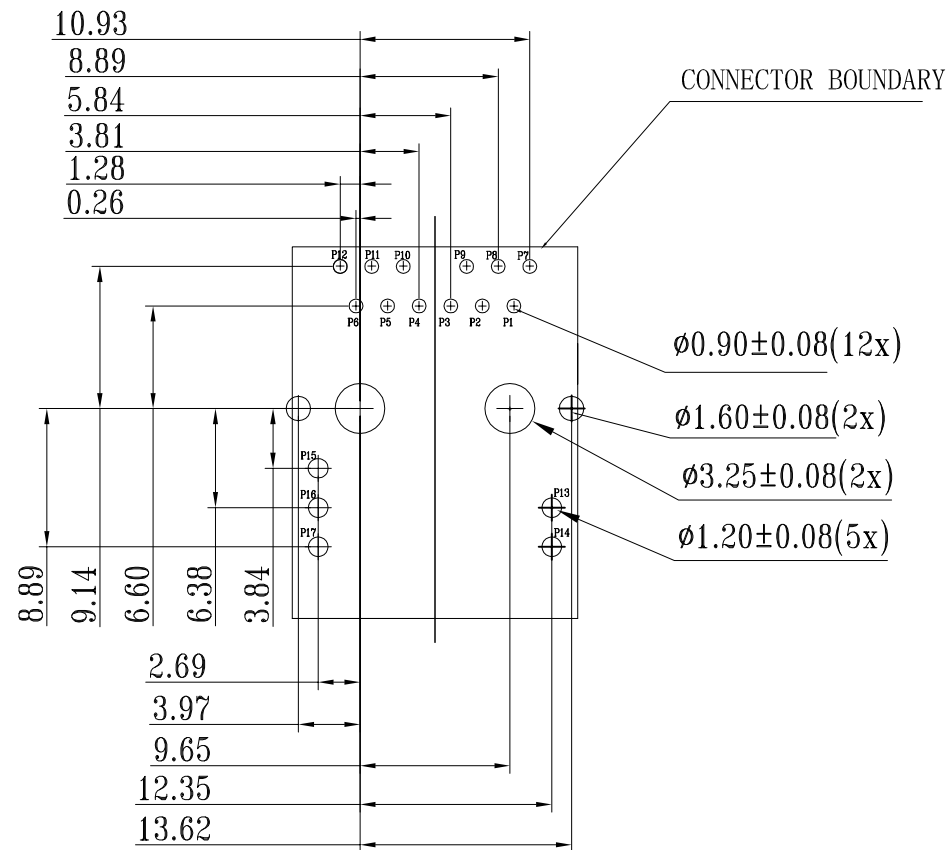
© COPYRIGHT 2013 By TE CONNECTIVITY

ALL RIGHTS RESERVED.

REVISIONS

P	LTR	DESCRIPTION	DATE	DWN	APVD
-	-	SEE SHEET 1	-	-	-

SUGGESTED PCB LAYOUT



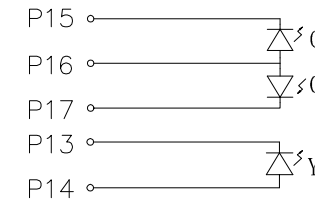
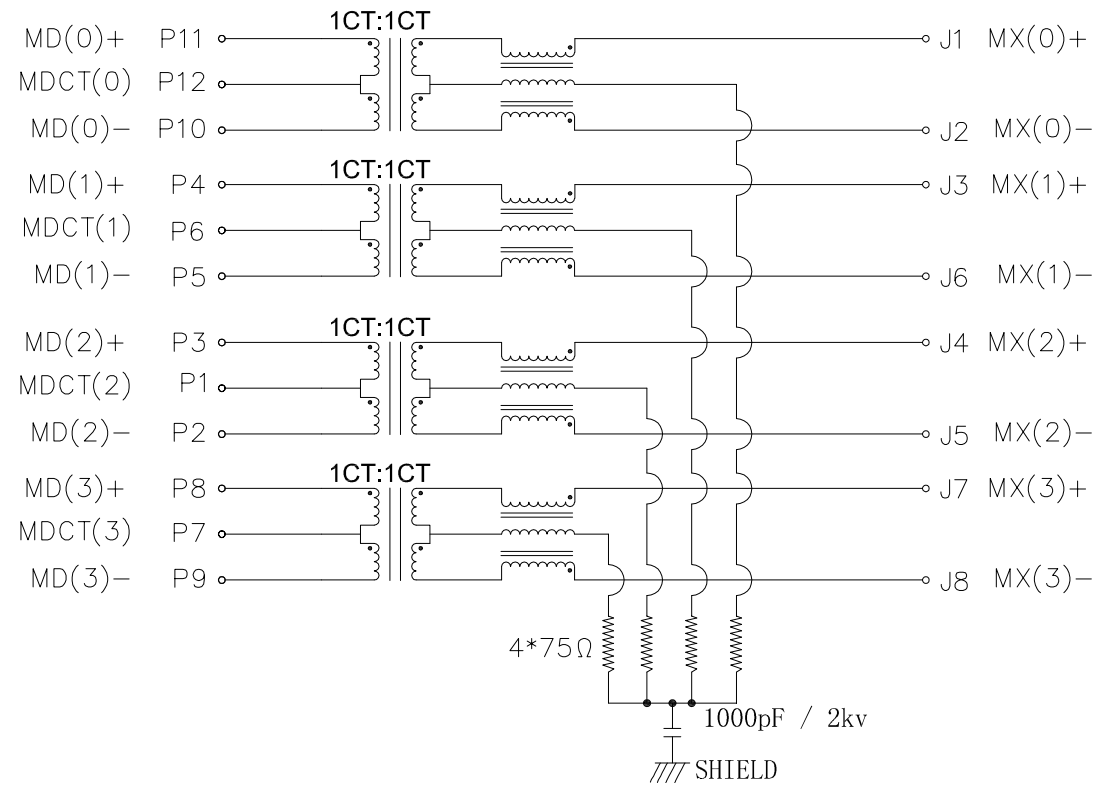
UNIT: mm
TOLERANCES: ±0.10

THIS DRAWING IS A CONTROLLED DOCUMENT.		DWN	GANESH C M		02AUG2016
DIMENSIONS: mm		CHK	FRANZ MUELLER		02AUG2016
TOLERANCES UNLESS OTHERWISE SPECIFIED:		APVD	MARTIN SZELAG		02AUG2016
<ul style="list-style-type: none"> 0 PLC ± - 1 PLC ± - 2 PLC ± - 3 PLC ± - 4 PLC ± - ANGLES ± - 		NAME		RJ45 JACK INT.MAG. 1Gb LED 1x1 INV. (low)	
		PRODUCT SPEC		-	
		APPLICATION SPEC		-	
MATERIAL		WEIGHT		SIZE	RESTRICTED TO
				A3	-
		CUSTOMER DRAWING		CAGE CODE	DRAWING NO
				00779	1-2301994-1
				SCALE	SHEET
				3:1	2 of 3
				REV	B2

REVISIONS

P	LTR	DESCRIPTION	DATE	DWN	APVD
-	-	SEE SHEET 1	-	-	-

ELECTRICAL CIRCUIT DIAGRAM



PIN	YELLOW	PIN	ORANGE	GREEN
P13	-	P15	-	-
P14	+	P16	+	+
		P17		-

LED SPECIFICATION				
STANDARD LED	WAVELENGTH	FORWARD CURRENT	FORWARD V (max)	TYP
GREEN	565nm	20 mA	2.4V	2.2V
YELLOW	590nm	20 mA	2.5V	2.1V
ORANGE	605nm	20 mA	2.5V	2.0V

- 1 TURN RATIO @100kHz: (P11~P10) : (J1~J2) = 1:1±2%
(P4~P5) : (J3~J6) = 1:1±2%
(P3~P2) : (J4~J5) = 1:1±2%
(P8~P9) : (J7~J8) = 1:1±2%
- 2 PRIMARY INDUCTANCE: 350µH MIN. @100kHz, 0.1V 8mA DC BIAS
- 3 DC RESISTANCE: 1.2 OHM MAX.
- 4 INSERTION LOSS: 1-100MHz -1.0dB MAX.
100-125MHz -1.2dB MAX.
- 5 RETURN LOSS: 1-40MHz -16dB MIN.
40-60MHz -12dB MIN.
60-80MHz -10dB MIN.
80-100MHz -8dB MIN.
- 6 CROSS TALK: 1-100MHz -30dB MIN.
- 7 COMMON TO COMMON MODE ATTENUATION: 1-100MHz -30dB MIN.
- 8 ISOLATION: PHY SIDE TO LINE SIDE: 2250VDC

1-2301994-1
WWYY-xxxx

TE

FCC

CONTROL CODE

DATE CODE
"0213"

YY-YEAR
WW-WEEK

THIS DRAWING IS A CONTROLLED DOCUMENT.		DWN 02AUG2016 GANESH C M	TE TE Connectivity	
DIMENSIONS: mm		CHK 02AUG2016 FRANZ MUELLER		
TOLERANCES UNLESS OTHERWISE SPECIFIED:		APVD 02AUG2016 MARTIN SZELAG	NAME RJ45 JACK INT.MAG. 1Gb LED 1x1 INV. (low)	
0 PLC ± - 1 PLC ± - 2 PLC ± - 3 PLC ± - 4 PLC ± - ANGLES ± -		PRODUCT SPEC 108-94552	RESTRICTED TO	
MATERIAL		APPLICATION SPEC 114-94447	SIZE A3	CAGE CODE 00779
FINISH		WEIGHT	DRAWING NO 1-2301994-1	
CUSTOMER DRAWING		SCALE 3:1		SHEET 3 of 3
		REV B2		