

## Features:

- New connector design for emerging product (UFS card)
- Total of 19 pins, backwards compatibility with Micro SD
- Data transfer speed of up to 6 Gbps
- Robust mating providing strong connection
- Durability up to 10,000 cycles



## Overview:

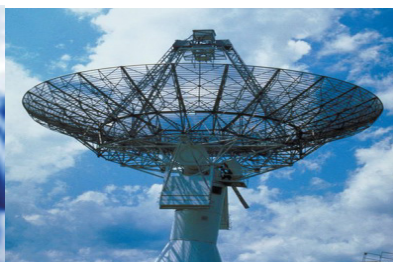
Amphenol is the first to offer card socket products used for both UFS and Micro SD cards. This new flash memory card connector is designed to meet the increasing demands for higher speeds and storage capacity in commercial and non-commercial devices.

Working in partnership with JEDEC on industry standards, Amphenol's UFS memory card connector is dual purpose with the ability to accommodate higher performance memory cards and is backwards compatible with SD and Micro SD cards.

## Applications:

The highly versatile UFS card socket is used in a variety of devices. Some examples include:

- Mobile phones
- Tablets
- Virtual reality cameras
- Augmented reality cameras
- Unmanned Aerial Vehicle (UAV)

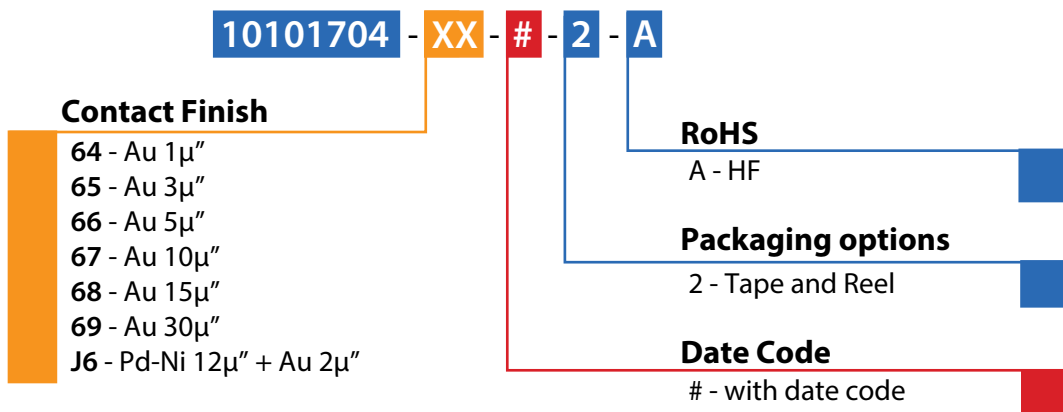


To learn more about UFS connectors:

## Technical Characteristics:

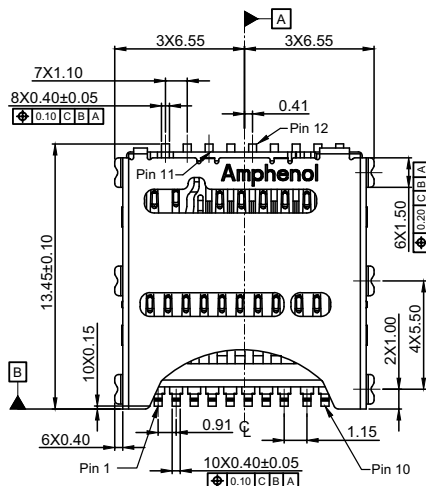
Component	Materials
Contact	Corson Alloy
Shell	Stainless steel
Housing	High temperature UL-VO, Black
Component	Plating
Contact	Nickel 50~200 $\mu$ " plating over all
Shell	Selective plating in contact area Nickel 50~200 $\mu$ " under plating over all

## Ordering Information:

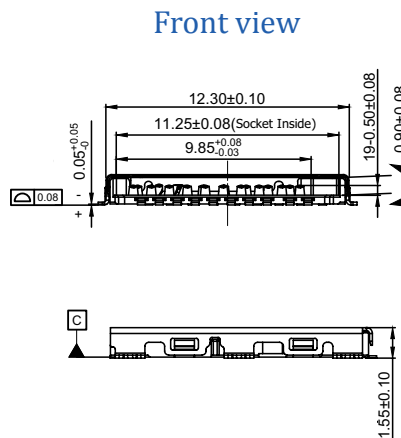


## Dimensions:

All drawings are measured in inches (mm)

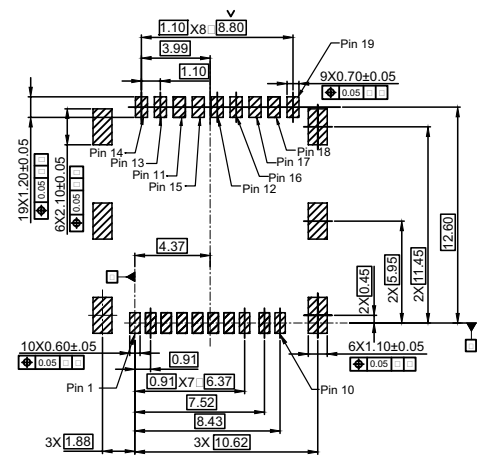


Top View



Front view

Side View



Recommended PCB Layout

\*Please visit [www.amphenolcanada.com](http://www.amphenolcanada.com) to find drawings for other products in this series.

To learn more about USF connectors: