

COUNT	DESCRIPTION OF REVISIONS	BY	CHKD	DATE	COUNT	DESCRIPTION OF REVISIONS	BY	CHKD	DATE
△					△				
△					△				

Fig.1 : RECOMMENDED PATTERN

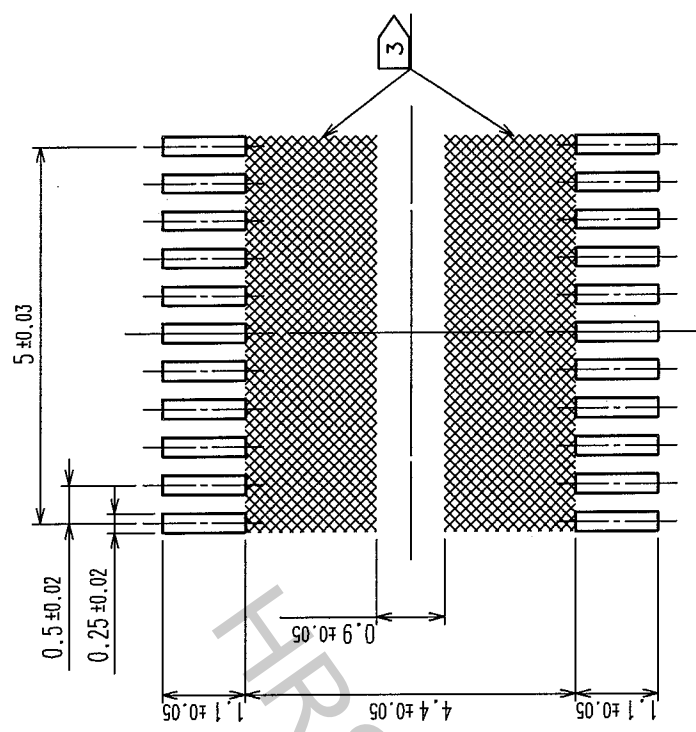


Fig.2 : A-A CROSS SECTION VIEW

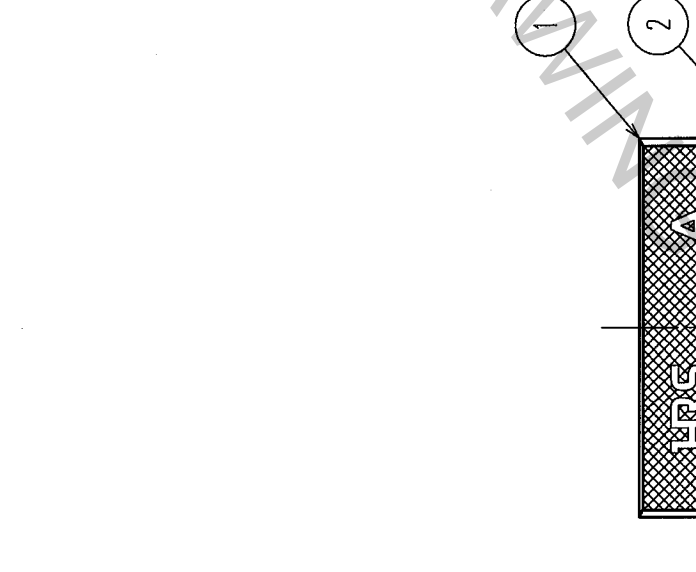
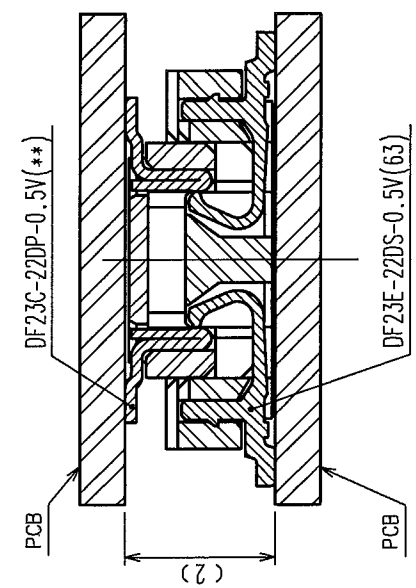


Fig.3 : MATING VIEW



NOTES 1 LEAD CO-PLANARITY SHALL BE 0.1mm MAX.

2 PLATING

CONTACT AREA : GOLD 0.4μm MIN.
 LEAD AREA : GOLD 0.02μm MIN.
 UNDER PLATING : NICKEL 1.0μm MIN.

3 WHEN A PART MARKED WITH ■ HAS A PATTERN BUT NO RESIST ON IT, TAKE CARE TO PREVENT THE CONNECTOR FROM TOUCHING IT.

4 THIS CONNECTOR IS FOR TESTING JIG TO BE MATED WITH DF23*-22DP-0.5V.

NO.	MATERIAL	FINISH, REMARKS	NO.	MATERIAL	FINISH, REMARKS
2	PHOSPHOR BRONZE	2	POLYESTER	4	CLEAR
1	LCP	BLACK,UL94V-0	3	PS	CLEAR

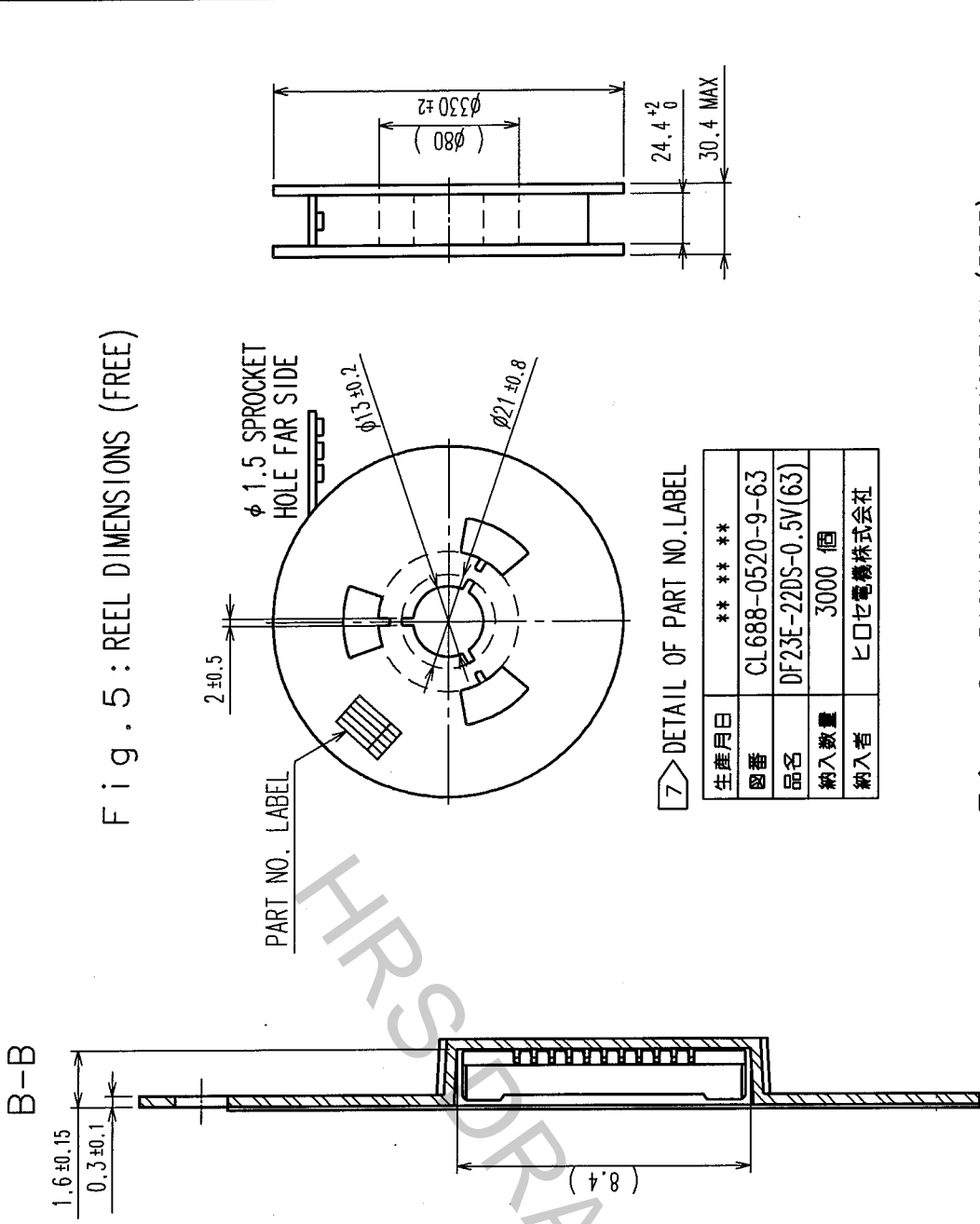
CODE NO. (OLD)	DESIGNED	CHECKED	APPROVED	RELEASED
	Y. Michida	T. Miyazaki	J. Gao	

DRAWING NO.	PART NO.
EDC3-308849-01	DF23E-22DS-0.5V(63)

SCALE	UNITS	CODE NO.
10 : 1	ITTT	CL688-0520-9-63

TO

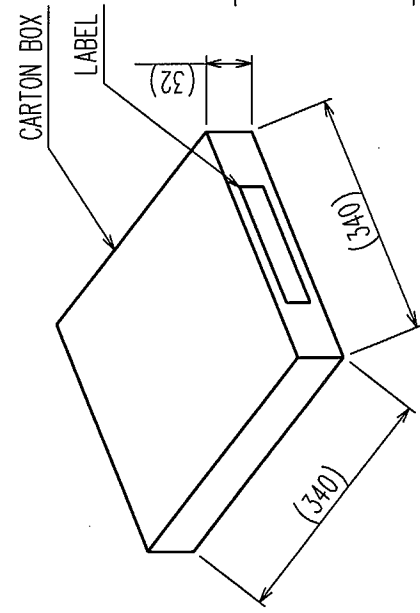
Fig. 5 : REEL DIMENSIONS (FREE)



DETAIL OF PART NO. LABEL

生産月日	*****
図番	CL688-0520-9-63
品名	DF23E-22DS-0.5V(63)
納入数量	3000 個
納入者	ヒロセ電機株式会社

Fig. 6 : PACKAGING SPECIFICATION (FREE)



PACKAGING SPECIFICATION

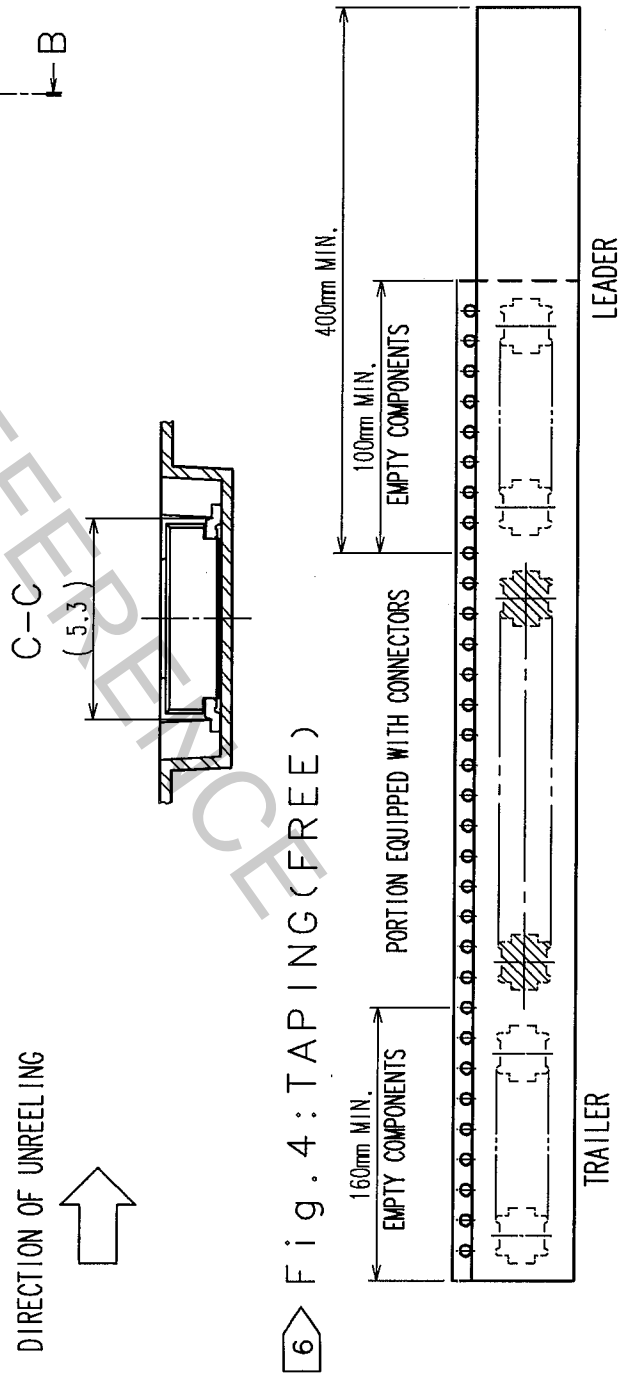
品名	688-0520-9-63	数量	TRL
PART NO.	DF23E-22DS-0.5V(63)	数量	QTY 3000
PART NO.	NUMBER OF PRODUCTS PER REEL		
CODE NO.	NUMBER OF REELS PER BOX		

DETAIL OF LABEL

DETAIL OF LABEL

CODE NO. (OLD) CL?		DRAWN	DESIGNED	CHECKED	APPROVED	RELEASED
		G. Michida	G. Michida	Miyazaki	J. Oka	
		05.3.10	05.3.10	05.03.11	05.03.11	
DRAWING NO.	PART NO.					
EDC3-308849-01	DF23E-22DS-0.5V(63)					
SCALE	CODE NO.					
5 : 1	CL688-0520-9-63					
UNITS	DRAWING NO.					
ITM	EDC3-308849-01					

Fig. 4 : TAPING(FREE)



- NOTES
- PER REEL 3000 CONNECTORS REFER TO JIS C 0806.
 - (PACKAGING OF COMPONENTS FOR AUTOMATIC HANDLING) DETAIL OF PART NO. LABEL IS WRITTEN IN JAPANESE.
 - THE DIMENSIONS IN PARENTHESES ARE FOR REFERENCE.

TO						