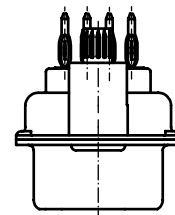
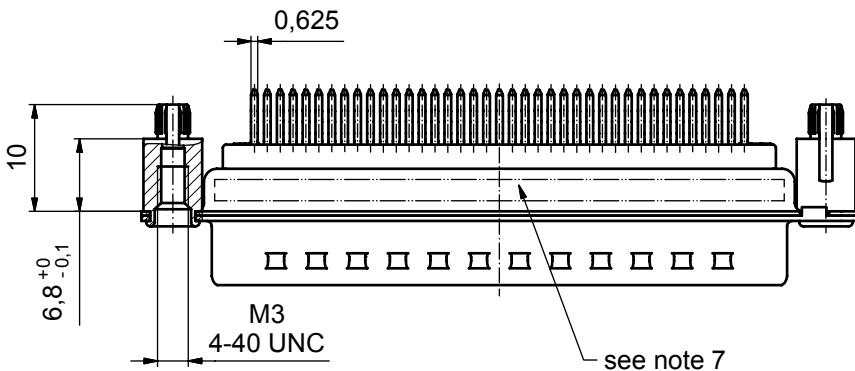
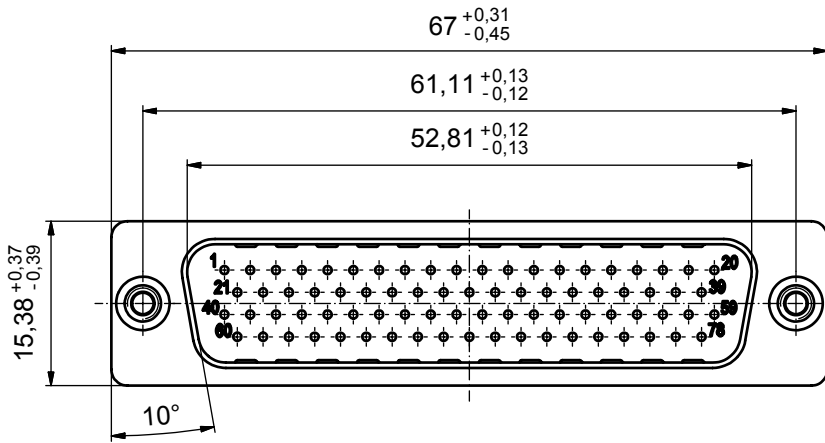
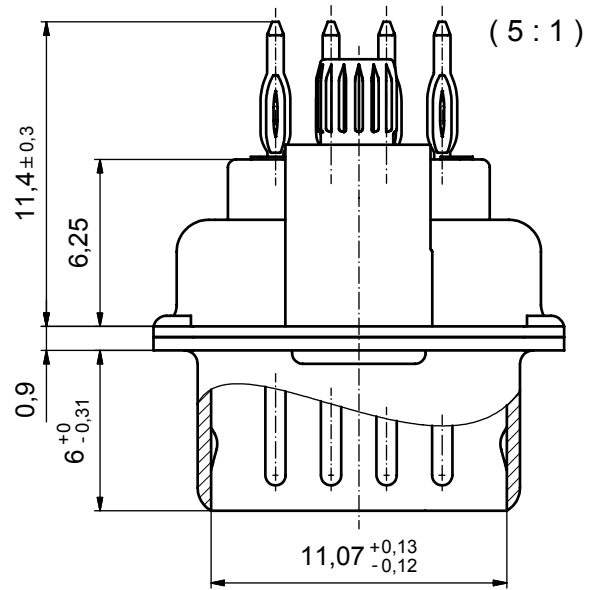


**NOTES:**

1. METALSHELLS: STEEL; min. 315µin TIN over 40-80µin NICKEL
2. INSULATORS: PBT GF UL 94 V-0, BLACK
3. PRESS-FIT CONTACTS: COPPER ALLOY  
 PLATING MATING AREA: FLASH GOLD over NICKEL  
 PLATING TERMINATION AREA: 20-40µin TIN (SN 100)  
 P.C.B. THICKNESS: min. 1,6mm
4. PUSH IN PIN: COPPER ALLOY
5. P.C.B. HOLE DRILLINGS SEE SHEET 2
6. MAXIMUM TORQUE VALUE FOR THREAD: 6 in.LB
7. CONNECTOR IS PART MARKED: PART-NO. CONEC ABC



Art.-Nr. Part-No.	
M3	4-40 UNC
DSH5XPGAA57X	DSH5XPGAA58X

Directive 2002/95/EC  
"RoHS"  
Compliant

APPROVAL # FREIGABE # DEBLOCAGE # AUTORIZACION # APPROVAL	
CUSTOMER APPROVAL DATE:	
NAME:	TITLE:
COMPANY NAME:	
APPROVAL # FREIGABE # DEBLOCAGE # AUTORIZACION # APPROVAL	

THIS DRAWING MAY NOT BE COPIED OR REPRODUCED IN ANY WAY, AND MAY NOT BE PASSED ON TO A THIRD PARTY WITHOUT WRITTEN PERMISSION. OWNERSHIP AND COPYRIGHT OF CONEC GmbH  DO NOT ALTER CAD DRAWING BY HAND				tolerance		 dim. in mm		
				date	name		scale: 2:1 (5:1)	
				drawn	19.04.07		material: see notes	
				appd.	19.04.07		title: D-SUB HD MALE	
				norm			78pos. PRESS-FIT STRAIGHT	
d-old		with push in pin						
a	Origin	dwg no: Inventor 10		DIN-A3				
rev.	description	16K1A2055		sh: 1				
date	name	part no: see table						

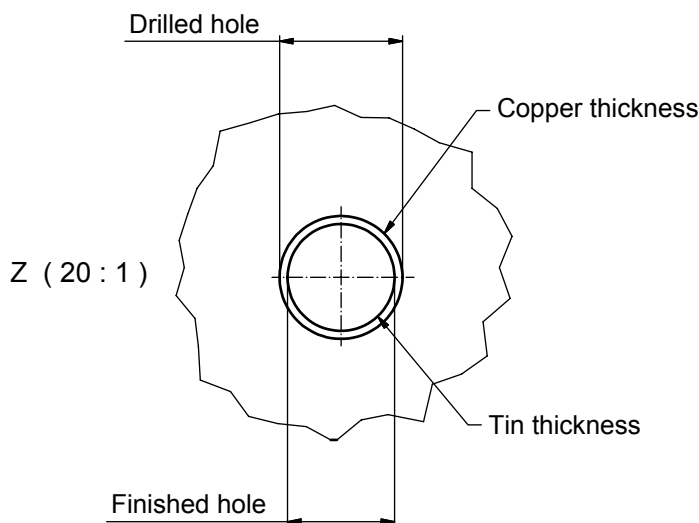




**SUGGESTED PCB HOLE SIZE DIMENSIONS FOR  
D-SUB HD CONNECTORS  
WITH PRESS FIT TERMINATIONS**

**ACCORDING IEC 60352-5**

THROUGH HOLE PLATING	Signal Contact	
	NOMINAL DIAMETER	
TIN-LEAD	DRILLED HOLE	1,15 ±0,025 mm
	COPPER	min. 25µm
	TIN-LEAD	min. 15µm
	FINISHED HOLE	1,0 +0,09 -0,06mm
Galv./HAL TIN	DRILLED HOLE	1,15 ±0,025 mm
	COPPER	min. 25µm
	TIN	5-15µm
	FINISHED HOLE	1,0 +0,09 -0,06mm
CHEM. TIN	DRILLED HOLE	1,15 ±0,025 mm
	COPPER	min. 25µm
	CHEM. TIN	max. 1,5µm
	FINISHED HOLE	1,0 +0,09 -0,06mm



APPROVAL # FREIGABE # DEBLOCAGE # AUTORIZACION # APPROVAL	
CUSTOMER APPROVAL DATE:	
NAME:	TITLE:
COMPANY NAME:	
APPROVAL # FREIGABE # DEBLOCAGE # AUTORIZACION # APPROVAL	

THIS DRAWING MAY NOT BE COPIED OR REPRODUCED IN ANY WAY, AND MAY NOT BE PASSED ON TO A THIRD PARTY WITHOUT WRITTEN PERMISSION. OWNERSHIP AND COPYRIGHT OF CONEC GmbH				tolerance		dim. in mm	scale: 20:1	
DO NOT ALTER CAD DRAWING BY HAND				date	name		material:	
a	Origin			drawn	06.07.07	Sonnenberg	title:	
rev.	description	date	name	appd.	06.07.07	Kühle	D-SUB HD MALE	
				norm			78pos. PRESS-FIT STRAIGHT	
				d-old			with push in pin	
							dwg no:	Inventor 10
								DIN-A3
								sh: 3
							part no:	SEE SHEET 1

