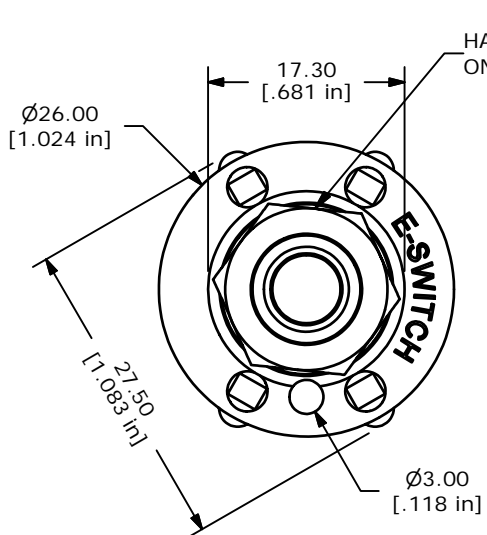
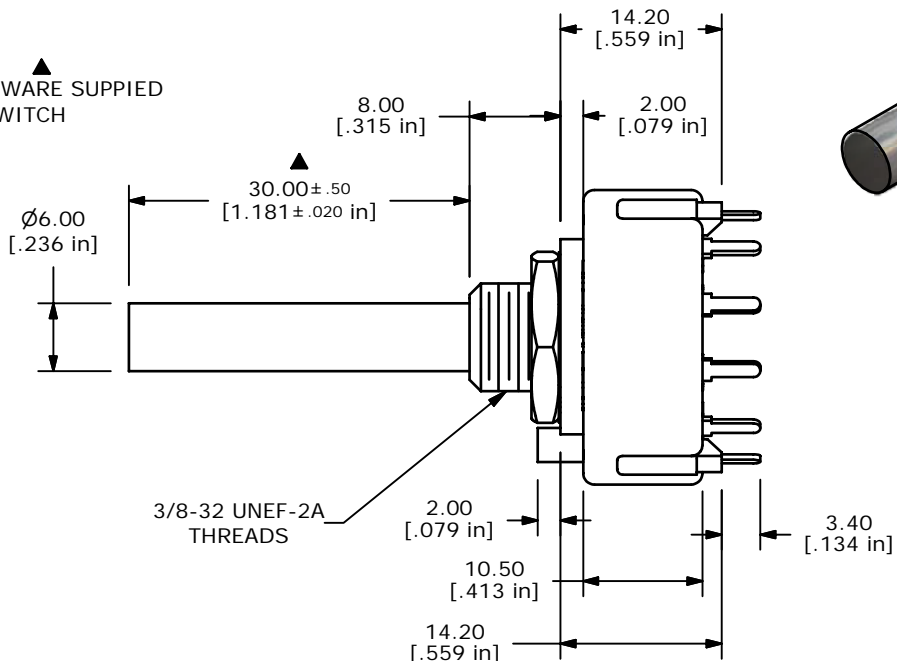


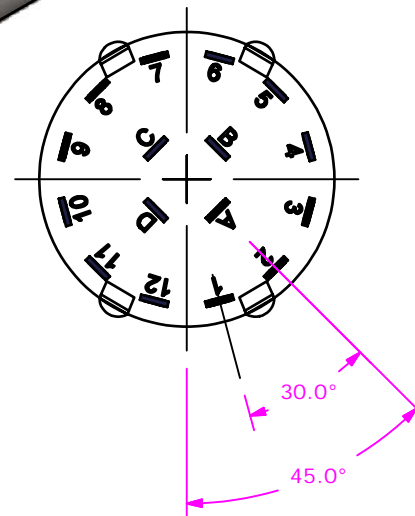
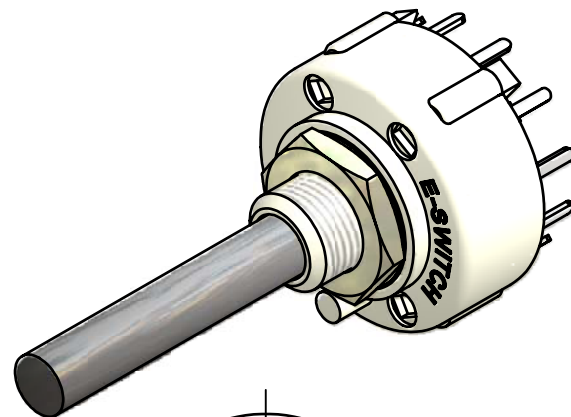
CONTACT CONFIGURATION
TIMING (BBM) NON-SHORTING



HARDWARE SUPPLIED
ON SWITCH

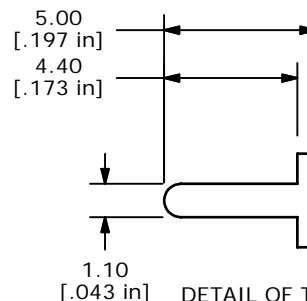


3/8-32 UNEF-2A
THREADS



NOTE:

1. ALL DIMENSIONS IN MM[INCH].
2. GENERAL TOLERANCE: X.X=±0.4
X.XX=±0.25
3. TERM. NOS. FOR REFERENCE ONLY.
4. CONTACT MATERIAL: SILVER
5. CONTACT RATING: 150MILLIAMP, 250VAC/DC
350MILLIAMP, 110VAC/DC
6. TIMING: NON-SHORTING
7. OPERATING FORCE 425± 100CM/STANDARD
8. OPERATING TEMP: -30°C TO 85°C
- ▲9. CIRCUIT SP: 3 POSITION 30° INDEX.
10. DIELECTRIC STRENGTH: 1000V RMS MIN.@ SEA LEVEL.
- ▲11. HARDWARE SUPPLIED ON SWITCH:
LOCKWASHER, HEXNUT, LOCK RING
12. ▲ DENOTES CRITICAL PARAMETER.
13. 2002/95/EC (ROHS) COMPLIANT



DETAIL OF TERMINALS

E-SWITCH®

| | | | | |
|-----|--------|-----------------------------|----------|----|
| B | 16778 | FIXED CONTACT CONFIGURATION | 12/20/06 | TN |
| A | 16752 | RELEASED FOR PRODUCTION | 12/14/06 | TN |
| REV | PCR NO | DESCRIPTION | DATE | BY |

| | | | | |
|----------------------|------------|----|---------|-----|
| TITLE KC43B30.001NPS | | | | |
| SCALE | DATE | DR | DWG | REV |
| 1.5:1 | 12/20/2006 | TN | G510281 | B |

THE INFORMATION CONTAINED IN THIS DOCUMENT IS PROPRIETARY
TO E-SWITCH AND IS NOT TO BE COPIED OR TRANSFERRED