

THIS DRAWING IS UNPUBLISHED.      RELEASED FOR PUBLICATION  
 © COPYRIGHT - By -      ALL RIGHTS RESERVED.

LOC G	DIST 14	REVISIONS			
P	LTR	DESCRIPTION	DATE	DWN	APVD
	J1	REVISED PER ECO-11-004820	11MAR11	RK	HMR

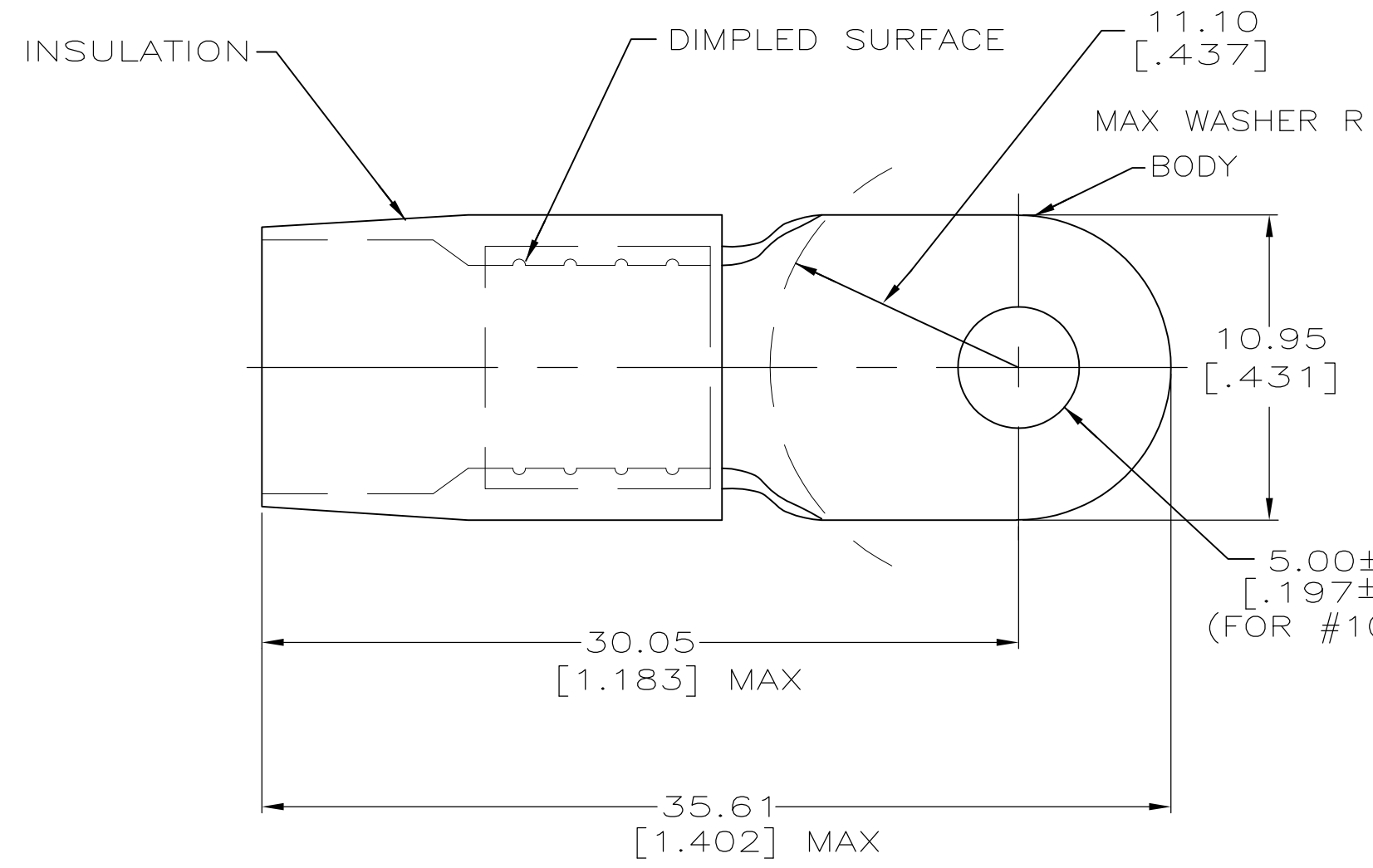
**AMP**  
WIRE RANGE

---

8 AWG  
STRANDED

**METRIC**

DIMENSIONS LISTED IN mm [ INCHES ]



1. TONGUE MATERIAL THK 1.02 ±0.08 [.040±.003]  
 FOR 6.50 [.256] MAX WIRE INS DIA

MS25036-115 CLASS 2	-	LOOSE PC	324043
MILITARY P/N AND CLASS	QTY	PACKAGE TYPE	PART NO

<b>AMP INCORPORATED CUSTOMER SERVICE SYSTEMS</b>		MAX RECOMMENDED OPERATING TEMPERATURE: 105° c
FOR ADDITIONAL PRODUCT INFORMATION OR COPIES OF DRAWINGS AND TECHNICAL DOCUMENTS	PRODUCT INFORMATION CENTER 1-800-522-6752	VOLTAGE RATING: -
FOR APPLICATION TOOLING INFORMATION	TOOLING ASSISTANCE CENTER 1-800-722-1111	CIRCULAR MIL AREA: 6.64-10.5mm² [13,100-20,800] STRANDED
FOR ORDER ENTRY	1-800-526-5142	THIS DRAWING IS A CONTROLLED DOCUMENT FOR AMP INCORPORATED. IT IS SUBJECT TO CHANGE AND THE CONTROLLING ENGINEERING ORGANIZATION SHOULD BE CONTACTED FOR THE LATEST REVISION.

THIS DRAWING IS A CONTROLLED DOCUMENT.	
DIMENSIONS: mm [ INCHES ]	TOLERANCES UNLESS OTHERWISE SPECIFIED:
	0 PLC ± -
	1 PLC ± -
	2 PLC ± 0.20 [.008]
	3 PLC ± -
	4 PLC ± -
	ANGLES ± -
MATERIAL COPPER PER ASTM B-152 NYLON (MIL-M-20693) TYPE 1 COLOR: RED	FINISH TIN PLATE PER MIL-T-10727

DWN S.S. GOULDEN 6-18-93	TE Connectivity NAME TERMINAL, RING TONGUE, TERMINYL WIRE SIZE: 8 AWG	SIZE	CAGE CODE	DRAWING NO	RESTRICTED TO
CHK R. HERSEY 6-18-93		A3	00779	C-324043	-
APVD B. BARE 6-18-93		CUSTOMER DRAWING			
PRODUCT SPEC		SCALE	SHEET	REV	
APPLICATION SPEC	NTS	1 OF 1	J1		