

# LTC6655

## 0.25ppm Noise, Low Drift Precision Reference

### DESCRIPTION

Demonstration circuit 2095A features the [LTC®6655](#), a precision low drift reference packaged in a hermetic LS8. The demonstration circuit is available with the 2.5V, 4.096V or 5V output voltage option parts.

The demo board circuit shows the optimal layout for overall reference performance. The LTC6655 has a maximum drift of 2ppm/°C and an initial accuracy of ±0.025%. The hermetic package further improves the Long Term Drift

performance of the reference to 20ppm/√kHr. Another benefit of the hermetic package is improved humidity performance. Testing has shown that humidity can cause the PCB to deform and stress the package. To reduce this effect the ground plane is removed directly under the reference. Doing this reduces output voltage shift as a result of humidity to less than 10ppm.

**Design files for this circuit board are available at <http://www.linear.com/demo/DC2095A>**

LT, LT, LTC, LTM, Linear Technology and the Linear logo are registered trademarks of Linear Technology Corporation. All other trademarks are the property of their respective owners.

### PERFORMANCE SUMMARY Specifications are at T<sub>A</sub> = 25°C

SYMBOL	PARAMETER	CONDITIONS	MIN	TYP	MAX	UNITS
V <sub>IN</sub>	Input Supply Range		V <sub>OUT</sub> + 0.5		13	V
V <sub>OUT</sub>	Output Voltage Accuracy		-0.025		+0.025	%
	Long-Term Drift of Output Voltage			20		ppm/√kHr
I <sub>Q</sub>	Supply Current			5		mA

## QUICK START PROCEDURE

With the demonstration circuit, it is easy to set up and evaluate the performance of the LTC6655. Refer to Figure 1 for proper measurement equipment setup and follow the procedure below:

1. With the power off, connect the power supply positive to  $V_{IN}$  and the common to GND. With default settings, the supply can range from  $V_{OUT} + 0.5V$  to 13V.

2. Connect a DVM to the  $V_{OUT}$  turret with the common connection connected to ground.  
3. Turn on power supply and confirm reference operation.

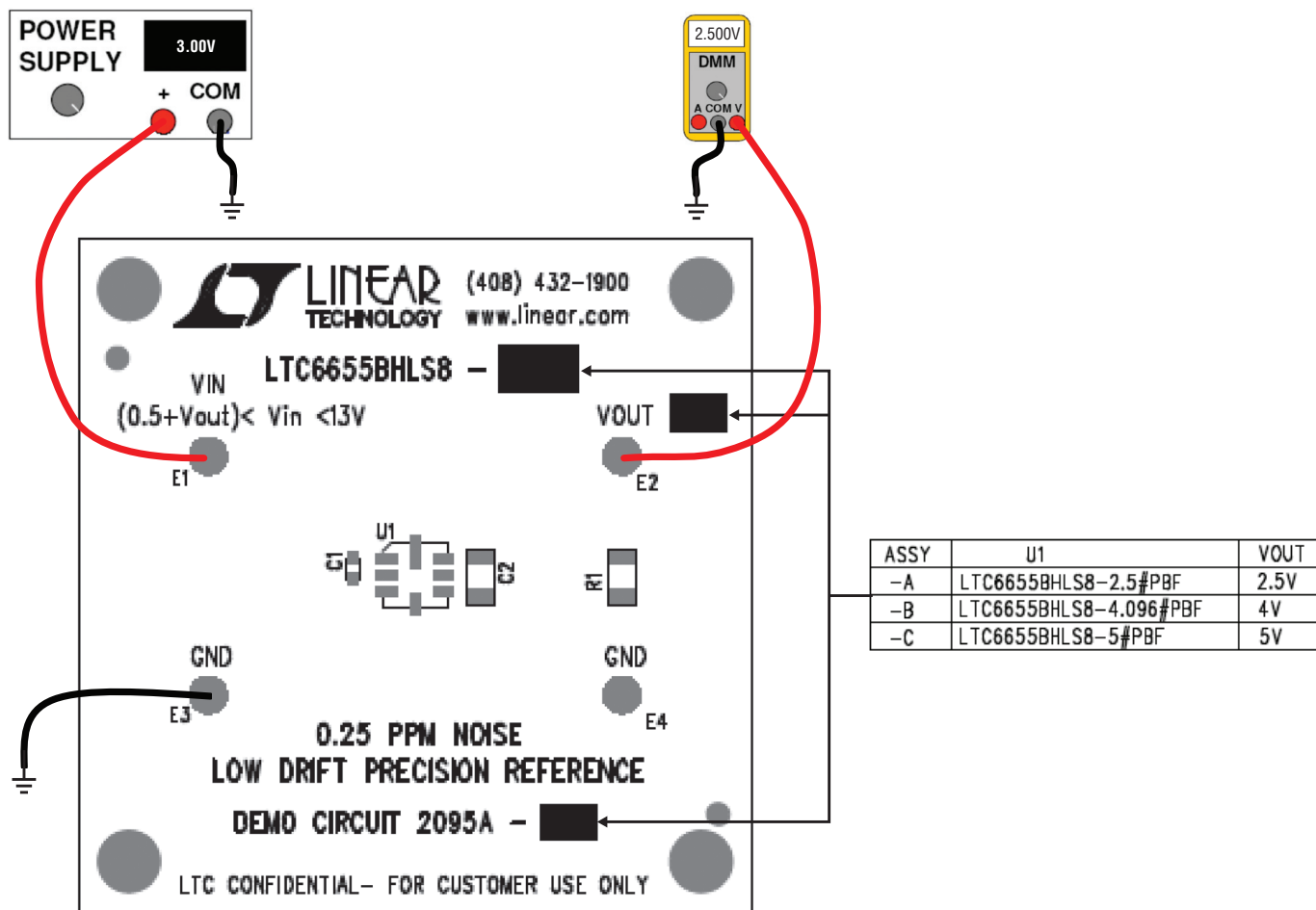
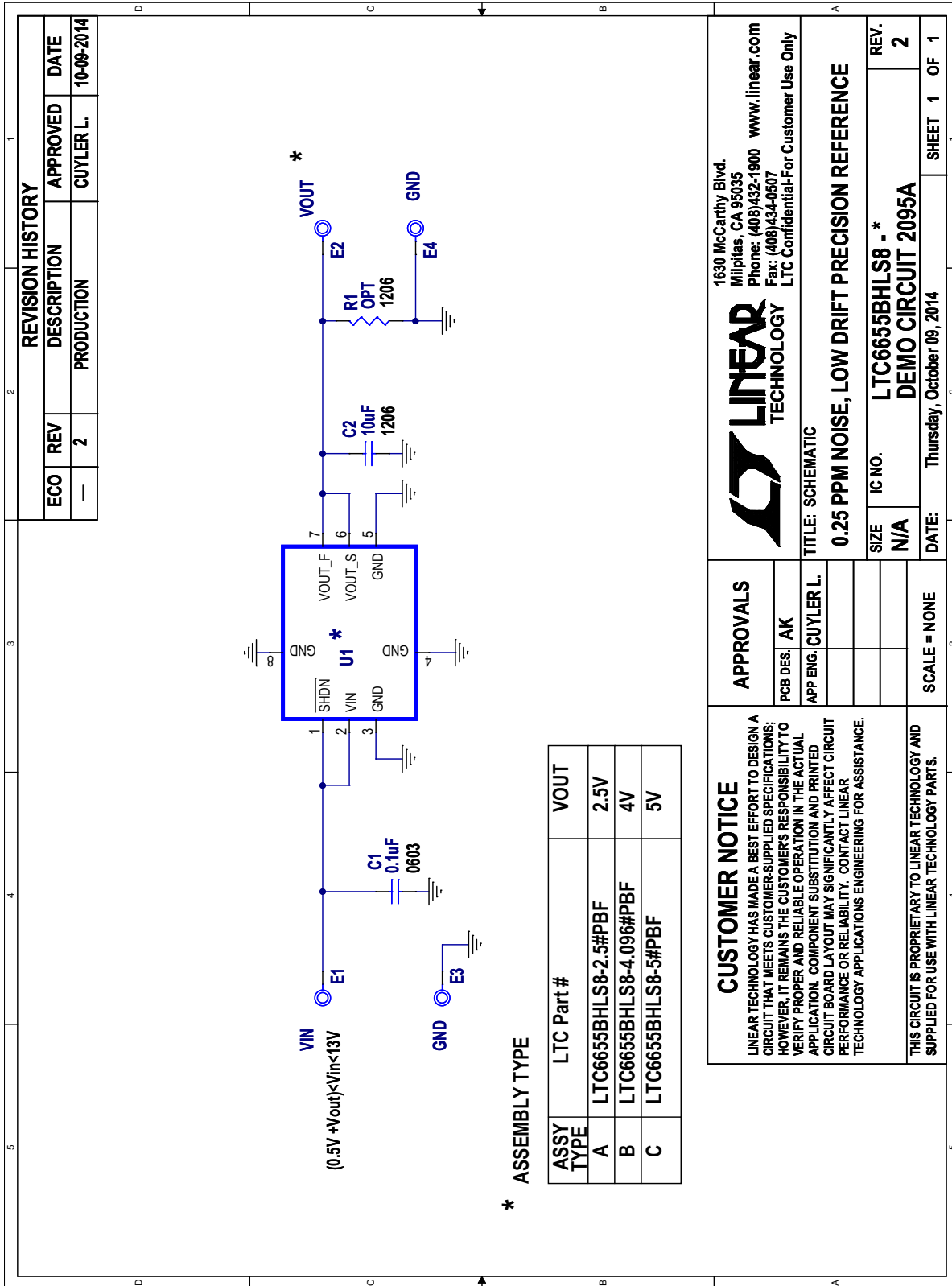


Figure 1. Test Setup

**SCHEMATIC DIAGRAM**



# DEMO MANUAL DC2095A

---

## DEMONSTRATION BOARD IMPORTANT NOTICE

Linear Technology Corporation (LTC) provides the enclosed product(s) under the following **AS IS** conditions:

This demonstration board (DEMO BOARD) kit being sold or provided by Linear Technology is intended for use for **ENGINEERING DEVELOPMENT OR EVALUATION PURPOSES ONLY** and is not provided by LTC for commercial use. As such, the DEMO BOARD herein may not be complete in terms of required design-, marketing-, and/or manufacturing-related protective considerations, including but not limited to product safety measures typically found in finished commercial goods. As a prototype, this product does not fall within the scope of the European Union directive on electromagnetic compatibility and therefore may or may not meet the technical requirements of the directive, or other regulations.

If this evaluation kit does not meet the specifications recited in the DEMO BOARD manual the kit may be returned within 30 days from the date of delivery for a full refund. **THE FOREGOING WARRANTY IS THE EXCLUSIVE WARRANTY MADE BY THE SELLER TO BUYER AND IS IN LIEU OF ALL OTHER WARRANTIES, EXPRESSED, IMPLIED, OR STATUTORY, INCLUDING ANY WARRANTY OF MERCHANTABILITY OR FITNESS FOR ANY PARTICULAR PURPOSE. EXCEPT TO THE EXTENT OF THIS INDEMNITY, NEITHER PARTY SHALL BE LIABLE TO THE OTHER FOR ANY INDIRECT, SPECIAL, INCIDENTAL, OR CONSEQUENTIAL DAMAGES.**

The user assumes all responsibility and liability for proper and safe handling of the goods. Further, the user releases LTC from all claims arising from the handling or use of the goods. Due to the open construction of the product, it is the user's responsibility to take any and all appropriate precautions with regard to electrostatic discharge. Also be aware that the products herein may not be regulatory compliant or agency certified (FCC, UL, CE, etc.).

No License is granted under any patent right or other intellectual property whatsoever. **LTC assumes no liability for applications assistance, customer product design, software performance, or infringement of patents or any other intellectual property rights of any kind.**

LTC currently services a variety of customers for products around the world, and therefore this transaction **is not exclusive**.

**Please read the DEMO BOARD manual prior to handling the product.** Persons handling this product must have electronics training and observe good laboratory practice standards. **Common sense is encouraged.**

This notice contains important safety information about temperatures and voltages. For further safety concerns, please contact a LTC application engineer.

Mailing Address:

Linear Technology  
1630 McCarthy Blvd.  
Milpitas, CA 95035

Copyright © 2004, Linear Technology Corporation